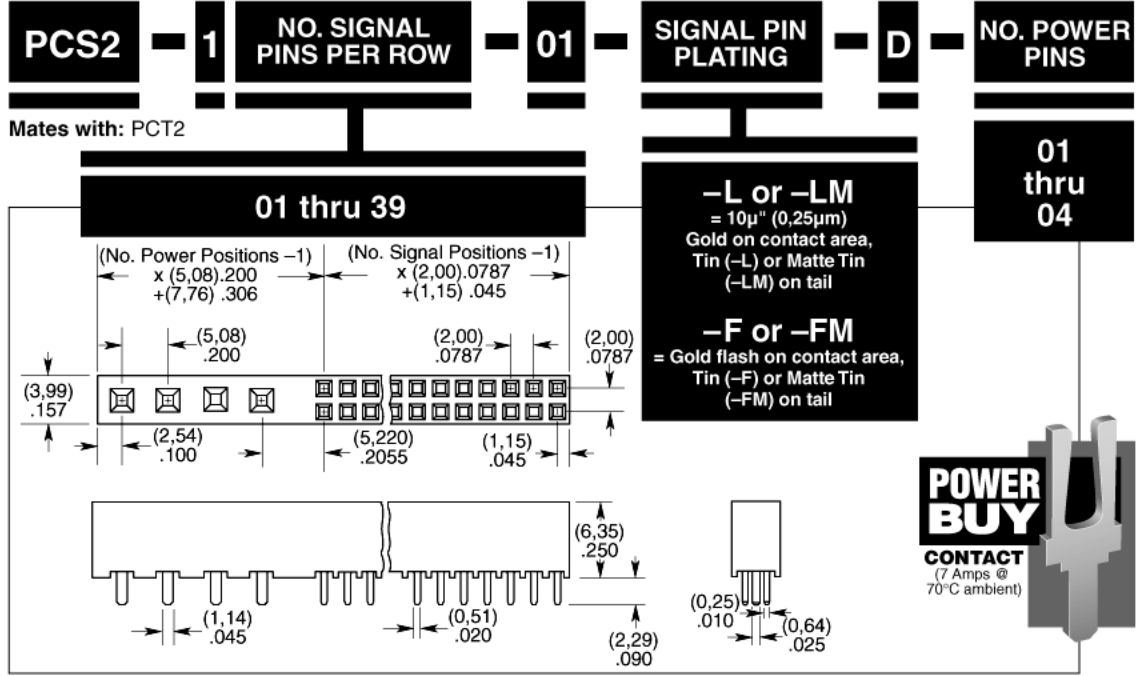


# POWER COMBO PCS2, PCT2 SERIES

## SPECIFICATIONS

For complete specifications see [www.samtec.com?PCS2](http://www.samtec.com?PCS2) or [www.samtec.com?PCT2](http://www.samtec.com?PCT2)

**Insulator Material:** Black Liquid Crystal Polymer  
**Contact Material:** BeCu  
**Terminal Material:** Phosphor Bronze  
**Plating:** Sn or Au over 50µ" (1,27µm) Ni on signal pins; Sn over 50µ" (1,27µm) Ni on power pins  
**Operating Temp Range:** -55°C to +105°C with Tin -55°C to +125°C with Gold  
**Contact Resistance:** 10 mΩ max  
**Insertion Depth:** (2,62mm) .103" to (5,03mm) .198" with (0,38mm) .015" wipe  
**Max Cycles:** 100 with 10µ" (0,25µm) Au  
**Insertion Force:** (Single contact only) 28oz (7,78N) avg per power contact plus 1.8oz (0,50N) avg per signal contact  
**Withdrawal Force:** (Single contact only) 20oz (5,56N) avg per power contact plus 1.0oz (0,28N) avg per signal contact  
**Voltage Rating:** 500 VAC

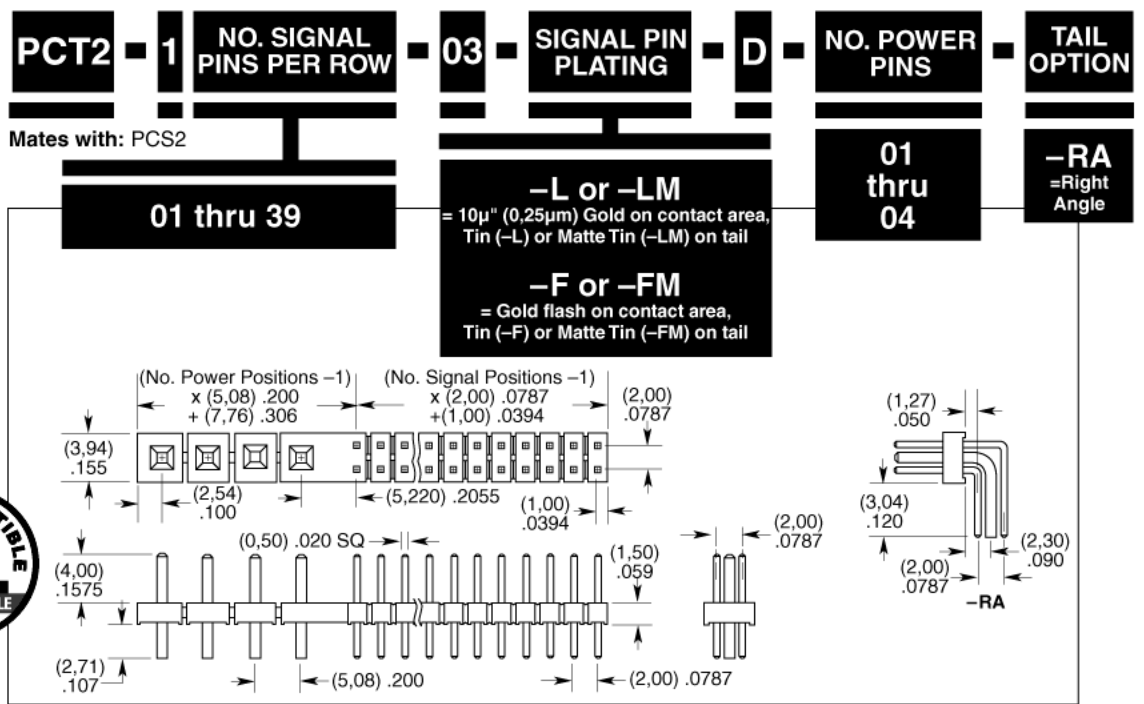


CURRENT RATINGS		
AMBIENT TEMP	POWER LEAD	SIGNAL LEAD
20°C	13A	5.5A
40°C	11A	5A
60°C	8A	4A
80°C	6A	3A

**Processing:**  
**Max Processing Temp:** 230°C for 60 seconds, or 260°C for 20 seconds 3x with Matte Sn plating  
**Lead-Free Solderable:** Wave, or reflow with Matte Sn



**Note:** Some lengths, styles and options are non-standard, non-returnable.



Due to technical progress, all designs, specifications and components are subject to change without notice.

[WWW.SAMTEC.COM](http://WWW.SAMTEC.COM)