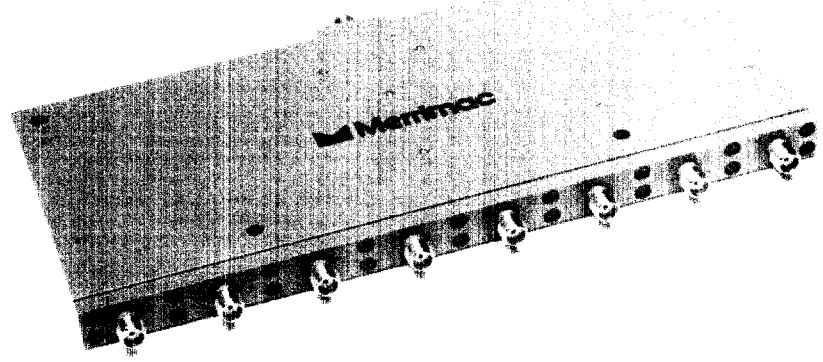
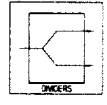


NEW DIRECTIONS

Merrmac PD/PDM-82-GA Series 0° POWER DIVIDERS/COMBINERS

0.7 to 4.2 GHz (8-Way) Uniform Phase & Amplitude / High Isolation & Low Loss / SMA & N-Conn.

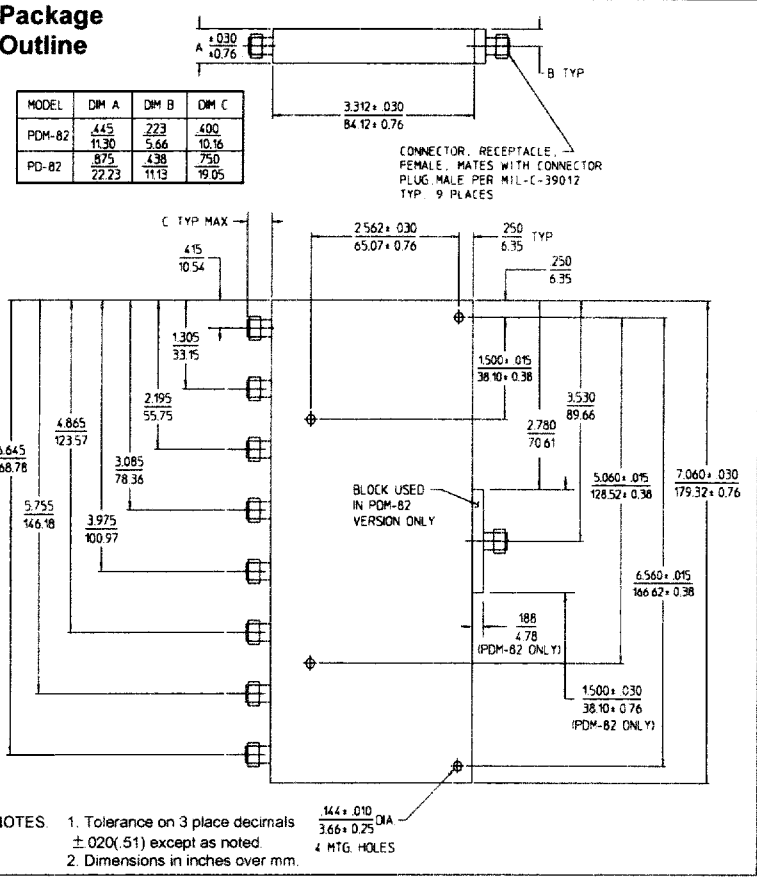


PRINCIPAL SPECIFICATIONS

| Model Number | Freq. Range, GHz | Isolation, dB, Min. | Insertion Loss, dB, Max. | Phase Bal., Max. | Amplitude Balance, dB, Max. | VSWR Max. In | VSWR Max. Out | Power Input, W* | Connector Style | Weight Nom. oz (g) |
|--------------|------------------|---------------------|--------------------------|------------------|-----------------------------|--------------|---------------|-----------------|-----------------|--------------------|
| PDM-82-0.9GA | 0.83 - 0.96 | 20 | 0.5 | 6° | 0.2 | 1.30:1 | 1.20:1 | 20 | SMA | 14 (400) |
| PDM-82-1.5GA | 0.96 - 2.0 | 20 | 0.75 | 8° | 0.8 | 1.60:1 | 1.50:1 | 20 | SMA | 14 (400) |
| PD-82-0.9GA | 0.83 - 0.96 | 20 | 0.5 | 6° | 0.2 | 1.30:1 | 1.20:1 | 20 | N-type | 26 (740) |
| PD-82-1.5GA | 0.96 - 2.0 | 20 | 0.75 | 8° | 0.8 | 1.60:1 | 1.50:1 | 20 | N-type | 26 (740) |
| PD-82-3.95GA | 3.7 - 4.2 | 20 | 1.0 | 8° | 0.3 | 1.25:1 | 1.25:1 | 20 | N-type | 26 (740) |

* CW power input when used as divider with 1.2:1 VSWR_{out}

Package Outline



GENERAL SPECIFICATIONS

Impedance: 50 Ω nom.
 Operating Temperature: -55° to +85°C
 Optional Frequencies:
 2.6 to 5.2 GHz: Call for data.
 4 to 8 GHz: Call for outline

General Notes:

- The PDM-82 and PD-82 series of Eight way Power Dividers/ Combiners cover the band from 0.83 to 4.2 GHz. They use a multi-section stripline Wilkinson design providing high isolation and low VSWR.
- Etched PTFE fiberglass stripline circuits are encased in an aluminum machined housing that minimizes moding and provides an effective RF shield.
- These units are generally available from catalog stock for fast delivery.
- These units comply with MIL-P-23971 and can be supplied screened for compliance with additional specifications for military and space applications requiring the highest reliability.