

***THIS DOCUMENT IS FOR MAINTENANCE
PURPOSES ONLY AND IS NOT
RECOMMENDED FOR NEW DESIGNS***

PDSP16340

POLAR TO CARTESIAN CONVERTER

(Supersedes version in December 1993 Digital Video & Digital Signal Processing IC Handbook, HB3923-1)

The PDSP16340 can be configured to perform either a coordinate conversion function, or simply to provide a sine / cosine look-up table. When employed as a coordinate conversion processor, the device converts data from 16 bit polar coordinates (R,Ø) into 16 bit cartesian coordinates (Real, Imaginary). The translation is illustrated in Fig. 1, and uses the formula:-

$$X_r = R \cos(\varnothing)$$

$$X_i = R \sin(\varnothing)$$

In look-up table mode, the user enters 16 bit phase data, and the chip outputs the corresponding sine and cosine values. A typical application is shown in Fig. 5.

The PDSP16340 is pipelined to process a continuous stream of data at 20 MHz, and outputs a new (16 + 16) bit result every clock cycle. The RANGE control signal allows the user to select the input range most appropriate to the system. Data is produced in Two's Complement Fractional format.

APPLICATIONS

- Digital Signal Processing
- Radar Systems
- Sonar Systems
- Robotics
- Medical Imaging

FEATURES

- Provides $R \cos(\varnothing)$ and $R \sin(\varnothing)$ in 16 bit streams using a CORDIC processor
- Look-up table equivalent to 64k by 32 bit ROM
- 20MHz clock rate
- Tri-state outputs and independent data enables
- 84 Pin PGA or 132 pin QFP

ASSOCIATED PRODUCTS

- PDSP16330** Pythagoras Processor
- PDSP16256** Programmable FIR Filter
- PDSP16510** FFT Processor
- PDSP16350** I/Q Splitter and NCO
- PDSP16116** 16 Bit Complex Multiplier
- PDSP16318** Complex Accumulator

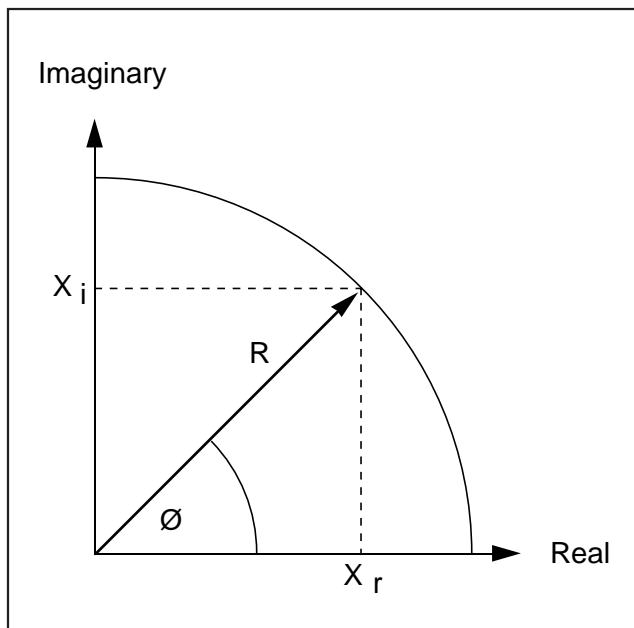


Fig. 1. Cartesian to Polar Coordinates

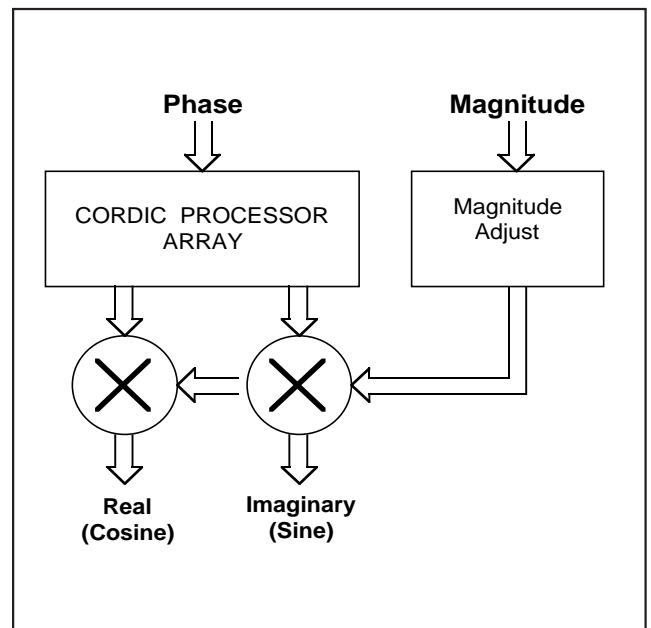


Fig. 2. Simplified Block Diagram

PDSP16340

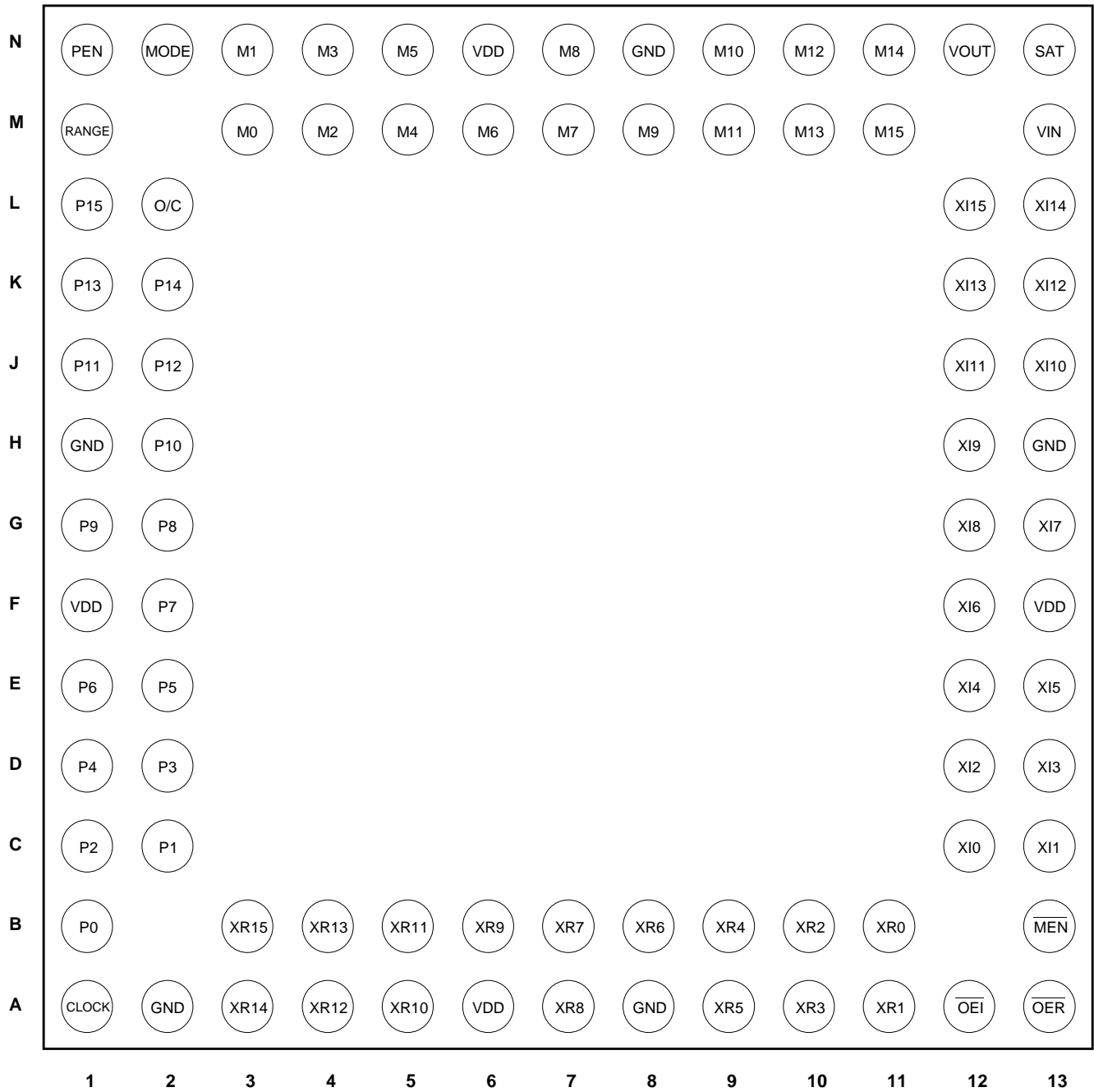


Fig. 3A Device Pinout - Bottom View (84 pin PGA - AC84)

GC	SIG	GC	SIG	GC	SIG	GC	SIG
1	N/C	34	N/C	67	GND	100	GND
2	$\overline{\text{MEN}}$	35	VOUT	68	RANGE	101	VDD
3	N/C	36	M15	69	N/C	102	GND
4	XI0	37	GND	70	N/C	103	N/C
5	XI1	38	VDD	71	P15	104	XR15
6	XI2	39	M14	72	GND	105	XR14
7	GND	40	N/C	73	VDD	106	N/C
8	VDD	41	M13	74	P14	107	XR13
9	XI3	42	M12	75	P13	108	XR12
10	XI4	43	N/C	76	P12	109	N/C
11	N/C	44	M11	77	N/C	110	XR11
12	XI5	45	M10	78	P11	111	N/C
13	XI6	46	N/C	79	P10	112	XR10
14	N/C	47	M9	80	N/C	113	XR9
15	XI7	48	GND	81	P9	114	VDD
16	XI8	49	VDD	82	GND	115	GND
17	VDD	50	M8	83	VDD	116	XR8
18	GND	51	M7	84	P8	117	XR7
19	XI9	52	M6	85	P7	118	N/C
20	N/C	53	M5	86	P6	119	XR6
21	XI10	54	VDD	87	N/C	120	XR5
22	XI11	55	M4	88	P5	121	N/C
23	N/C	56	VDD	89	N/C	122	XR4
24	XI12	57	M3	90	P4	123	N/C
25	XI13	58	GND	91	P3	124	XR3
26	XI14	59	M2	92	VDD	125	XR2
27	VDD	60	M1	93	GND	126	N/C
28	GND	61	GND	94	P2	127	XR1
29	XI15	62	VDD	95	P1	128	VDD
30	VIN	63	M0	96	N/C	129	GND
31	N/C	64	MODE	97	P0	130	XR0
32	N/C	65	$\overline{\text{PEN}}$	98	N/C	131	$\overline{\text{OE1}}$
33	SAT	66	VDD	99	CLK	132	$\overline{\text{OE2}}$

Fig.3B Pin out Table (132 pin ceramic QFP - GC132)

PDSP16340

SIGNAL	DESCRIPTION
M15:0	16 bit 2's complement data representing the magnitude of the phase angle. Data is loaded into the input register on the rising edge of CLK. These inputs are not used in look-up table mode, however, they should be tied high or low for electrical, rather than logical, reasons. M15 is the MSB.
P15:0	16 bit data representing the phase angle. Data is loaded into the input register on the rising edge of CLK. P15 is the MSB.
XR15:0	16 bit 2's complement real data output, or cosine output in the table look-up mode. Data is passed to the XR outputs on the rising edge of CLK.
XI15:0	16 bit 2's complement imaginary data output, or sine output in the table look-up mode. Data is passed to the XI outputs on the rising edge of CLK.
RANGE	Magnitude range select. When this pin is high, the MSB of the M input bus (also the sign bit) will represent 2^1 . When low, it will represent 2^0
SAT	Input data saturated flag. This output goes high to indicate that input data of magnitude greater than $\text{SQRT}(2)$ has been saturated to $\text{SQRT}(2)$. It is internally delayed such that it appears at the output at the same time as the data which resulted from the saturated input value.
$\overline{\text{MEN}}$	Clock enable for the magnitude input port. When low new data may be latched in the input register; when high the register remains in its previous state.
$\overline{\text{PEN}}$	Clock enable for the phase input port. When low new data may be latched in the input register: when high the register remains in its previous state.
$\overline{\text{OER}}$	Output enable for the XR output port. When high the XR output is forced into a high impedance state.
$\overline{\text{OEI}}$	Output enable for the XI output port. When high the XI output is forced into a high impedance state.
VIN	Valid data input flag. This input is connected to VOUT via a pipeline delay which matches the data path pipeline delay. Hence, if VIN is set high when valid data is input, then VOUT will go high when valid results are output. It performs no internal control function.
VOUT	Valid data output flag which is a delayed version of VIN as explained above.
MODE	When high, this input configures the chip into look-up table mode in which the M inputs are redundant and internally replaced by a unity magnitude. When low, the chip is configured in coordinate conversion mode.
CLK	Common clock to all internal registers.
VDD	Four +5V power pins. All power supply pins must be connected.
GND	Four ground pins. All pins must be connected.

Table 1. Signal description

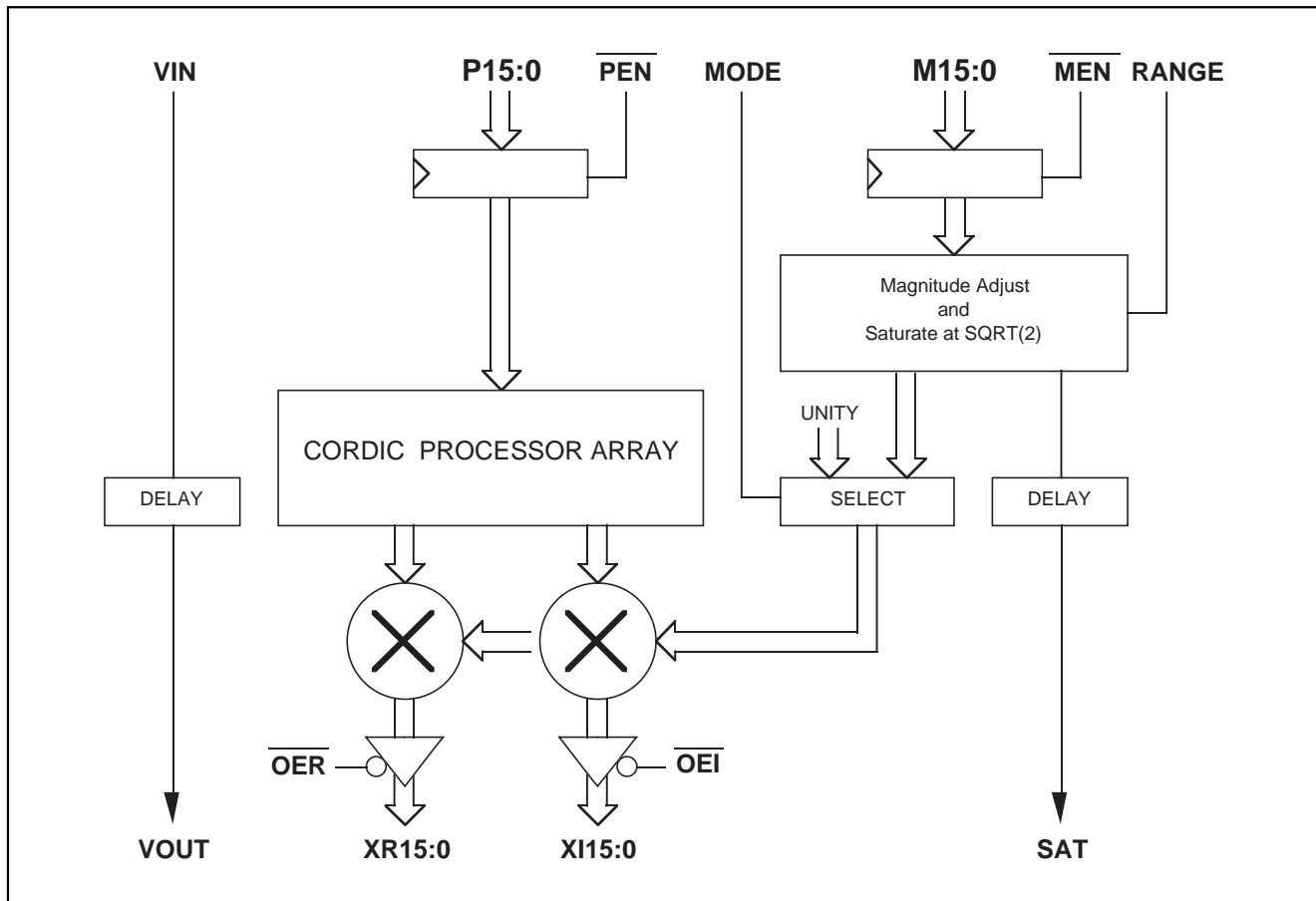


Fig. 4. Internal Block Diagram

OPERATION

The functional blocks used within the device are illustrated by Fig. 4. Both input data and output data are fully registered to allow the device to be easily incorporated into data flow DSP systems. The sine and cosine values are actually calculated in a 26 stage pipelined arithmetic processor, and are accurate to 16 bits. This technique allows high data throughputs, and requires less die area than the equivalent ROM.

The PDSP16340 has two modes of operation, which are selected by the logical state of the MODE input pin. This pin should be tied high or low to suite the particular application.

Look-up Mode

In the Table Look-up mode the MODE pin is tied high, and the device is used to provide simultaneous sine and cosine values at rates up to the maximum clock frequency. A new phase value is clocked into the Phase Port (P15:0) on each cycle, and the corresponding sine and cosine values appear at the XI and XR ports 29 clock cycles later. In this operating mode the MAGNITUDE inputs, the MEN, and the RANGE inputs are logically redundant. They must, however, be tied either high or low for electrical reasons. If the Phase Port is disabled by pulling PEN high, then the look-up table will continue to provide the sine and cosine outputs corresponding to the value of P15:0 present during the active clock edge before the PEN level change.

Fig. 5. illustrates a typical FFT arrangement with the PDSP16340 providing sine and cosine 'twiddle' factors for use by the butterfly processor. Use of the PDSP16520 Quad Port RAM, and the PDSP16116 / 318 complex arithmetic element, allows butterfly calculations to be performed at rates up to 20 MHz.

Coordinate Conversion

In the Coordinate Conversion Processor mode the MODE pin is tied low, and the PDSP16340 converts data from polar format into the corresponding real and imaginary Cartesian co-ordinates. The coordinate conversion operation is equivalent to the inverse of the function performed by the PDSP16330 Pythagoras Processor. The device produces simultaneous sine and cosine values from the incoming phase angle, and then multiplies these results with the appropriate magnitude value. The MEN input allows the value in the input latch to be retained in a similar manner to the use of the PEN control.

The RANGE control allows the device to accept magnitude data in the range of, either, -1 to within one LSB of +1, or from -2 to within one LSB of +2. The smaller range option allows maximum accuracy to be preserved, if fractional inputs are expected. The latter option enables the theoretical maximum polar magnitude of SQRT(2) to be accommodated. A negative magnitude introduces a 180° phase shift.

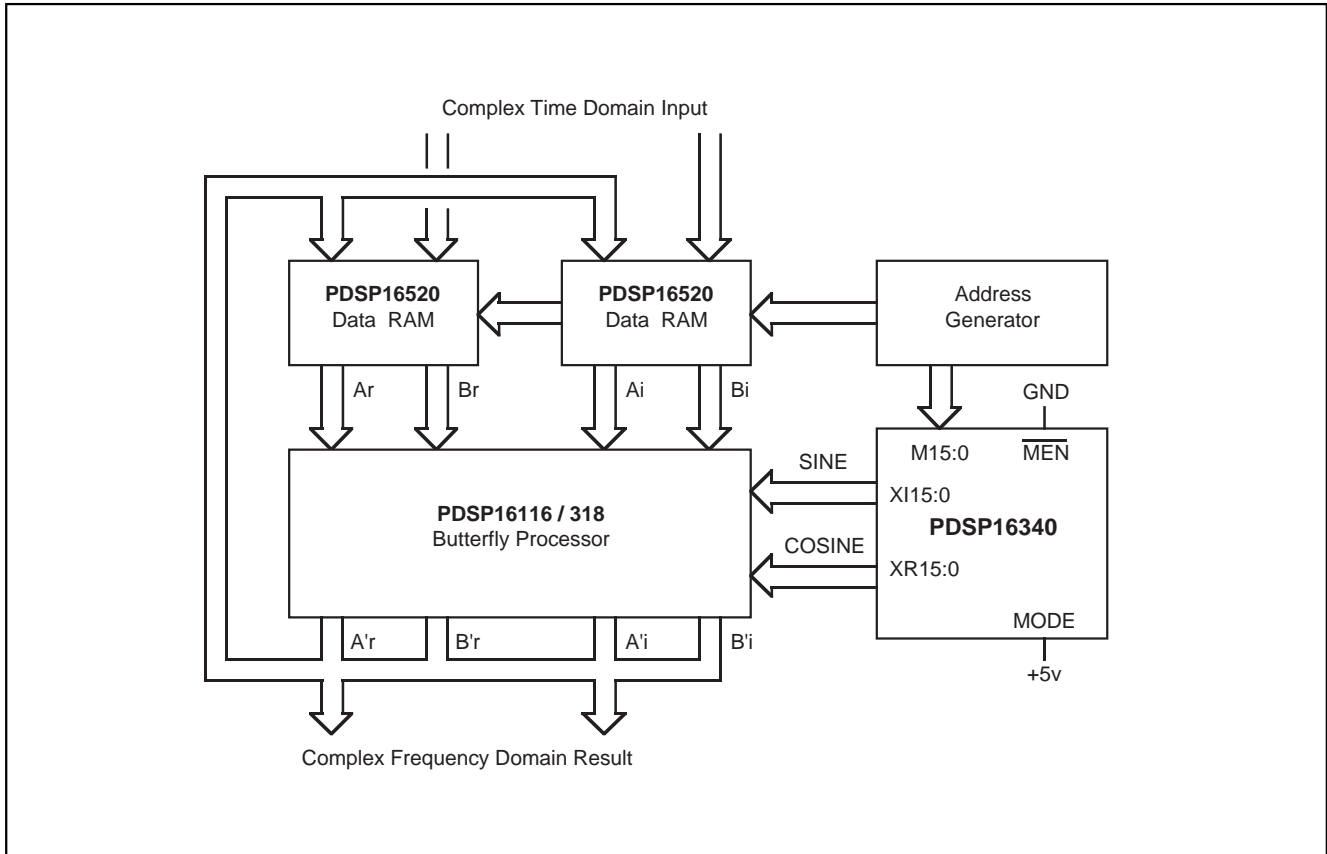


Fig. 5. Sin / Cos generator for 20 MHz FFT System

The device will replace all incoming values above the square root of two with the maximum value. The SAT output indicates when this replacement has internally occurred. The flag is delayed such that it is valid at the same time as the output data which was calculated from the saturated input.

DATA FORMATS

When the device is configured in the co-ordinate conversion mode (MODE pin is low), the magnitude (M) input bus can have one of the following data formats:

BIT NUMBER	15	14	13	12	11	10	9	8	7	6	5	4	3	2	1	0
WEIGHTING																
RANGE = 1	S	2	2	2	2	2	2	2	2	2	2	2	2	2	2	2
RANGE = 0	S	2	2	2	2	2	2	2	2	2	2	2	2	2	2	2

The sign bit is provided to maintain compatibility with normal arithmetic procedures, but in most applications the value will always be positive. The sign bit could then be tied low, and the lower fifteen bits used to define the input. If a negative value is used this will introduce a 180° phase shift. When the MODE pin is high the state of the RANGE pin is irrelevant, and the magnitude is internally defined to be unity.

The PHASE port has the following data format:

BIT NUMBER	15	14	13	12	11	10	9	8	7	6	5	4	3	2	1	0
WEIGHTING in Π radians	0	-1	-2	-3	-4	-5	-6	-7	-8	-9	-10	-11	-12	-13	-14	-15
	2	2	2	2	2	2	2	2	2	2	2	2	2	2	2	2

Thus, for example :

- +90° (= -270°) = 0100000000000000
- 180° (= +180°) = 1000000000000000
- 90° (= +270°) = 1100000000000000

The 16 bit radius value is multiplied with the 16 bit internally generated sine and cosine values, to produce a 16 bit result. The RANGE input controls the format of the output data as given below:

BIT NUMBER	15	14	13	12	11	10	9	8	7	6	5	4	3	2	1	0
WEIGHTING																
RANGE = 1	S	2	2	2	2	2	2	2	2	2	2	2	2	2	2	2
RANGE = 0 OR MODE = 1	S	2	2	2	2	2	2	2	2	2	2	2	2	2	2	2

ABSOLUTE MAXIMUM RATINGS (Note 1)

Supply voltage V _{CC}	-0.5V to 7.0V
Input voltage V _{IN}	-0.5V to V _{CC} + 0.5V
Output voltage V _{OUT}	-0.5V to V _{CC} + 0.5V
Clamp diode current per pin I _K (see note 2)	18mA
Static discharge voltage (HMB)	500V
Storage temperature T _S	-65°C to 150°C
Ambient temperature with power applied T _{AMB}	
Military	-55°C to +125°C
Industrial	-40°C to 85°C
Junction temperature	150°C
Package power dissipation	3500mW
Thermal resistances	
Junction to Case θ_{JC}	5°C/W

NOTES

1. Exceeding these ratings may cause permanent damage. Functional operation under these conditions is not implied.
2. Maximum dissipation or 1 second should not be exceeded, only one output to be tested at any one time.
3. Exposure to absolute maximum ratings for extended periods may affect device reliability.
4. V_{CC} = Max. Outputs Unloaded, Clock Freq = Max.
5. CMOS levels are defined as
 $V_{IH} = V_{CC} - 0.5v$
 $V_{IL} = +0.5v$
6. Current is defined as negative into the device.
7. θ_{JC} data assumes that heat is extracted from the top face of the package.

ELECTRICAL CHARACTERISTICS

Operating Conditions (unless otherwise stated)

Commercial: T_{AMB} = -0°C to +70°C T_{J(MAX)} = 95°C V_{CC} = 5.0V±5% Ground = 0V
 Industrial: T_{AMB} = -40°C to +85°C T_{J(MAX)} = 110°C V_{CC} = 5.0V±10% Ground = 0V
 Military: T_{AMB} = -55°C to +125°C T_{J(MAX)} = 150°C V_{CC} = 5.0V±10% Ground = 0V

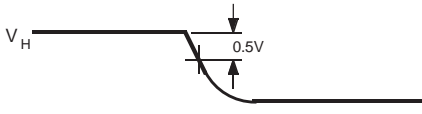
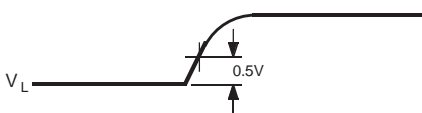
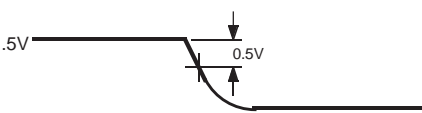
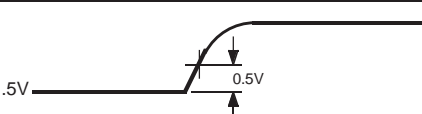
Static Characteristics

Characteristic	Symbol	Value			Units	Conditions	
		Min.	Typ.	Max.			
Output high voltage	V _{OH}	2.4		-	V	I _{OH} = 4mA I _{OL} = -4mA	
Output low voltage	V _{OL}	-		0.4	V		
Input high voltage	V _{IH}	3.0		-	V	GND < V _{IN} < V _{CC}	
Input low voltage	V _{IL}	-		0.8	V		
Input leakage current	I _{IN}	-10	10	+10	µA		
Input capacitance	C _{IN}		10		pF		
Output leakage current	I _{OZ}	-50		+50	µA		GND < V _{OUT} < V _{CC} V _{CC} = Max
Output S/C current	I _{SC}	10		250	mA		

Switching Characteristics

Characteristic	Industrial			Military			Units	Conditions
	Min.	Typ.	Max.	Min.	Typ.	Max.		
M15:0 or P15:0 setup to clock rising edge	15		-	15		-	ns	30pF
M15:0 or P15:0 hold after clock rising edge	4		-	4		-	ns	
\overline{MEN} or \overline{PEN} setup to clock rising edge	20		-	20		-	ns	
\overline{MEN} or \overline{PEN} hold after clock rising edge	0		-	0		-	ns	
RANGE setup to clock rising edge	15		-	15		-	ns	
RANGE hold after clock rising edge	8		-	8		-	ns	
Clock rising edge to all outputs valid	5		30	5		30	ns	
Clock freq	DC		20	DC		20	MHz	
Clock High Time	15		-	15		-	ns	
Clock Low Time	20		-	20		-	ns	
$\overline{OER}, \overline{OEI}$ low to data valid	-		20	-		20	ns	see Fig. 6
$\overline{OER}, \overline{OEI}$ high to data high impedance	-		20	-		20	ns	see Fig. 6
Pipeline delay VIN to VOUT	28		28	28		28	CLKs	
V _{CC} Current (CMOS inputs)	-		430	-		450	mA	see Note 4
V _{CC} Current (TTL inputs)	-		460	-		500	mA	see Note 4

PDSP16340

Test	Waveform - measurement level
Delay from output high to output high impedance	
Delay from output low to output high impedance	
Delay from output high impedance to output low	
Delay from output high impedance to output high	
V_H - Voltage reached when output driven high V_L - Voltage reached when output driven low	

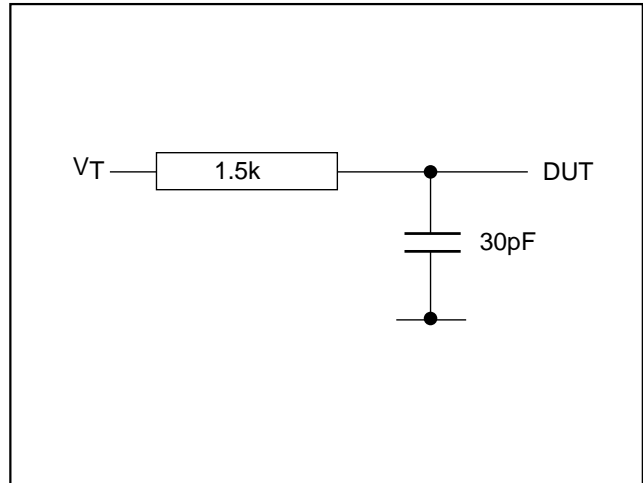


Fig. 6 Tri-state delay measurement load.

ORDERING INFORMATION

Commercial (0°C to +70°C)

PDSP16340 / C0 / AC (20MHz - PGA)

PDSP16340 / C0 / GC (20MHz - QFP)

Industrial (-40°C to +85°C)

PDSP16340 / B0 / AC (20MHz - PGA)

PDSP16340 / B0 / GC (20MHz - QFP)

Military (-55°C to +125°C)

PDSP16340 / A0 / AC (20MHz - PGA)

PDSP16340 / A0 / GC (20MHz - QFP)

Call for availability of High Rel parts and MIL 883C screening.

PDSP16340



HEADQUARTERS OPERATIONS
GEC PLESSEY SEMICONDUCTORS
Cheney Manor, Swindon,
Wiltshire SN2 2QW, United Kingdom.
Tel: (0793) 518000
Fax: (0793) 518411

GEC PLESSEY SEMICONDUCTORS
P.O. Box 660017
1500 Green Hills Road,
Scotts Valley, California 95067-0017,
United States of America.
Tel: (408) 438 2900
Fax: (408) 438 5576

CUSTOMER SERVICE CENTRES

- **FRANCE & BENELUX** Les Ulis Cedex Tel: (1) 64 46 23 45 Tx: 602858F
Fax : (1) 64 46 06 07
- **GERMANY** Munich Tel: (089) 3609 06-0 Tx: 523980 Fax : (089) 3609 06-55
- **ITALY** Milan Tel: (02) 66040867 Fax: (02) 66040993
- **JAPAN** Tokyo Tel: (03) 3296-0281 Fax: (03) 3296-0228
- **NORTH AMERICA Integrated Circuits and Microwave Products** Scotts Valley, USA
Tel (408) 438 2900 Fax: (408) 438 7023.
Hybrid Products, Farmingdale, USA Tel (516) 293 8686
Fax: (516) 293 0061.
- **SOUTH EAST ASIA** Singapore Tel: (65) 3827708 Fax: (65) 3828872
- **SWEDEN** Stockholm, Tel: 46 8 702 97 70 Fax: 46 8 640 47 36
- **UNITED KINGDOM & SCANDINAVIA**
Swindon Tel: (0793) 518510 Tx: 444410 Fax : (0793) 518582

These are supported by Agents and Distributors in major countries world-wide.

© GEC Plessey Semiconductors 1995 Publication No. DS3710 Issue No. 2.1 February 1995

This publication is issued to provide information only which (unless agreed by the Company in writing) may not be used, applied or reproduced for any purpose nor form part of any order or contract nor to be regarded as a representation relating to the products or services concerned. No warranty or guarantee express or implied is made regarding the capability, performance or suitability of any product or service. The Company reserves the right to alter without prior knowledge the specification, design or price of any product or service. Information concerning possible methods of use is provided as a guide only and does not constitute any guarantee that such methods of use will be satisfactory in a specific piece of equipment. It is the user's responsibility to fully determine the performance and suitability of any equipment using such information and to ensure that any publication or data used is up to date and has not been superseded. These products are not suitable for use in any medical products whose failure to perform may result in significant injury or death to the user. All products and materials are sold and services provided subject to the Company's conditions of sale, which are available on request.



**For more information about all Zarlink products
visit our Web Site at
www.zarlink.com**

Information relating to products and services furnished herein by Zarlink Semiconductor Inc. trading as Zarlink Semiconductor or its subsidiaries (collectively "Zarlink") is believed to be reliable. However, Zarlink assumes no liability for errors that may appear in this publication, or for liability otherwise arising from the application or use of any such information, product or service or for any infringement of patents or other intellectual property rights owned by third parties which may result from such application or use. Neither the supply of such information or purchase of product or service conveys any license, either express or implied, under patents or other intellectual property rights owned by Zarlink or licensed from third parties by Zarlink, whatsoever. Purchasers of products are also hereby notified that the use of product in certain ways or in combination with Zarlink, or non-Zarlink furnished goods or services may infringe patents or other intellectual property rights owned by Zarlink.

This publication is issued to provide information only and (unless agreed by Zarlink in writing) may not be used, applied or reproduced for any purpose nor form part of any order or contract nor to be regarded as a representation relating to the products or services concerned. The products, their specifications, services and other information appearing in this publication are subject to change by Zarlink without notice. No warranty or guarantee express or implied is made regarding the capability, performance or suitability of any product or service. Information concerning possible methods of use is provided as a guide only and does not constitute any guarantee that such methods of use will be satisfactory in a specific piece of equipment. It is the user's responsibility to fully determine the performance and suitability of any equipment using such information and to ensure that any publication or data used is up to date and has not been superseded. Manufacturing does not necessarily include testing of all functions or parameters. These products are not suitable for use in any medical products whose failure to perform may result in significant injury or death to the user. All products and materials are sold and services provided subject to Zarlink's conditions of sale which are available on request.

Purchase of Zarlink's I²C components conveys a licence under the Philips I²C Patent rights to use these components in and I²C System, provided that the system conforms to the I²C Standard Specification as defined by Philips.

Zarlink and the Zarlink Semiconductor logo are trademarks of Zarlink Semiconductor Inc.

Copyright 2001, Zarlink Semiconductor Inc. All Rights Reserved.

TECHNICAL DOCUMENTATION - NOT FOR RESALE
