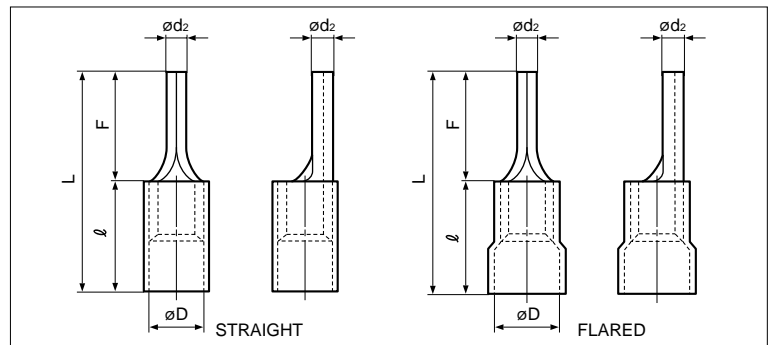
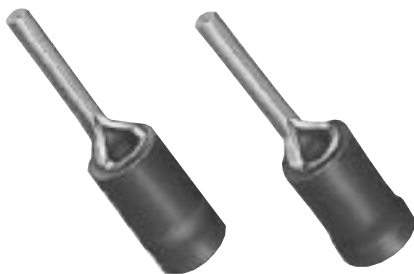


Non-insulated

Applicable Wire AWG#(mm ²)	Part No.	Standard	Dimensions mm (in.)							Material Thickness	Tool No.					Qty/box
			ø d ₂	L	F	E	ø D	ø d ₁	YHT-2622		YHT-2216	YA-1	YA-2	YA-4		
26 to 22(0.2 to 0.5)	PC-0.5		1.2 (.047)	14.0 (.551)	10.0 (.394)	4.0 (.157)	2.0 (.079)	1.0 (.039)	0.5 (.020)	o	o	o	o	o	1,000	
22 to 16 (0.25 to 1.65)	PC-1.25		1.9 (.075)	17.0 (.669)	12.0 (.472)	5.0 (.197)	3.4 (.134)	1.7 (.067)	0.8 (.031)	o	o	o	o	o	1,000	
	PC-1.25 F-10			15.0 (.591)	10.0 (.394)		3.4 (.134)	1.7 (.067)								
	PC-1.25 F- 9			14.0 (.551)	9.0 (.354)		3.4 (.134)	1.7 (.067)								
	PC-1.25 F- 7			12.0 (.472)	7.0 (.276)		3.4 (.134)	1.7 (.067)								
16 to 14 (1.04 to 2.63)	PC-2		1.9 (.075)	17.0 (.669)	12.0 (.472)	5.0 (.197)	4.1 (.161)	2.4 (.094)	0.8 (.031)	o	o	o	o	o	1,000	
	PC-2 F-17			22.0 (.866)	17.0 (.669)		4.1 (.161)	2.4 (.094)								
	PC-2 F- 9			14.0 (.551)	9.0 (.354)		4.1 (.161)	2.4 (.094)								
	PC-2 F- 7			12.0 (.472)	7.0 (.276)		4.1 (.161)	2.4 (.094)								
12 to 10 (2.63 to 6.64)	PC-5.5		2.7 (.106)	20.0 (.787)	14.0 (.551)	6.0 (.236)	5.7 (.224)	3.7 (.146)	1.0 (.039)	o	o	o	o	o	1,000	

Note:1) The part numbers indicated in the above table are for products with a brazed seam.
When ordering products with a butted seam, add the prefix "WS" to the part number (ex. PC2 →**WSPC-2**).



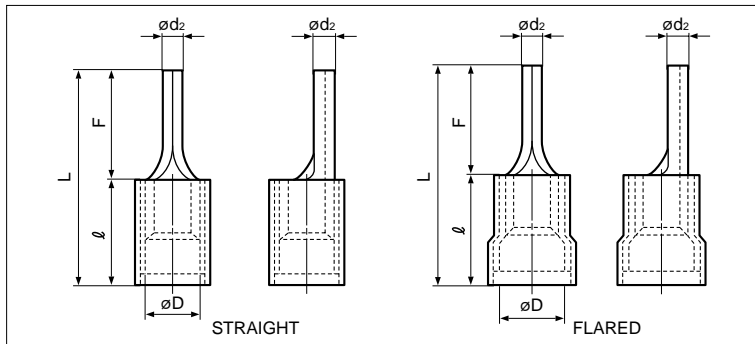
Vinyl-insulated

Applicable Wire AWG#(mm ²)	Part No.		Standard	Dimensions mm (in.)							Material Thickness	Tool No.					Qty/box	
	Straight	Flared		ø d ₂	ø D		L	F	ℓ	YNT-2622		YNT-2216	YNT-1614	YNT-1210S	YA-1	YA-2		YA-4
					Str.	Flid.				YNT-2622		YNT-2216	YNT-1614	YNT-1210S	YA-1	YA-2		YA-4
26 to 22 (0.2 to 0.5)	VPC-0.5	FVPC-0.5		1.2 (.047)	1.9 (.075)	2.9 (.114)	18.0 (.709)	10.0 (.394)	8.0 (.315)	0.5 (.020)	o			o	o	o	1,000	
22 to 16 (*0.25 to 1.65)	VPC-1.25	FVPC-1.25		1.9 (.075)	3.2 (.126)	4.0 (.157)	21.0 (.827)	12.0 (.472)	9.0 (.354)	0.8 (.031)	o		o	o	o	o		
	VPC-1.25 F-10	FVPC-1.25 F-10					19.0 (.748)	10.0 (.394)										
	VPC-1.25 F- 9	FVPC-1.25 F- 9					18.0 (.709)	9.0 (.354)										
	VPC-1.25 F- 7	FVPC-1.25 F- 7					16.0 (.630)	7.0 (.276)										
16 to 14 (1.04 to 2.63)	VPC-2	FVPC-2		1.9 (.075)	3.9 (.154)	4.5 (.377)	21.0 (.827)	12.0 (.472)	9.0 (.354)	0.8 (.031)	o		o	o	o	o		
	VPC-2 F-17	FVPC-2 F-17					26.0(1.024)	17.0 (.669)										
	VPC-2 F- 9	FVPC-2 F- 9					18.0 (.709)	9.0 (.354)										
	VPC-2 F- 7	FVPC-2 F- 7					16.0 (.630)	7.0 (.276)										
12 to 10 (2.63 to 6.64)	VPC-5.5	FVPC-5.5		2.7 (.106)	5.4 (.213)	6.8 (.268)	27.5(1.083)	14.0 (.551)	13.5 (.531)	1.0 (.039)			o		o	o	500	

Note:1) The part numbers indicated in the above table are for products with a brazed seam.
When ordering products with a butted seam, add the prefix "WS" to the part number (ex. FVPC-2 →**FVWSPC-2**).
2) The crimping will be more secure if the total cross-sectional area of the wire is at least 0.5 mm².
Examples: If the cross-sectional area of the wire is 0.3mm², fold the wire in two when crimping the terminal. If the cross-sectional area of the wire is 0.5mm², crimp the terminal onto the wire as it is.



PIN



Vinyl-insulated with copper sleeve

Applicable Wire AWG#(mm ²)	Part No.		Standard	Dimensions mm (in.)								Tool No.						Qty/box		
	Straight	Flared		ø d ₂	ø D		L		F	ℓ		Material Thickness	YNT-2622	YNT-2216	YNT-1614	YNT-1210S	YA-1		YA-2	YA-4
					Str.	Fl.	Str.	Fl.		Str.	Fl.									
26 to 22 (0.2 to 0.5)	VDPC-0.5	FVDPC-0.5		1.2 (.047)	2.2 (.087)	2.5 (.098)	18.0 (.709)	18.3 (.720)	10.0 (.394)	8.0 (.315)	8.3 (.327)	0.5 (.020)	o			o	o		1,000	
22 to 16 (0.25 to 1.65)	VDPC-1.25	FVDPC-1.25		1.9 (.075)	3.5 (.138)	4.0 (.157)	21.6 (.850)	12.0 (.472)	10.0 (.394)	9.6 (.378)	0.8 (.031)	o			o	o	o		500	
	VDPC-1.25 F-10	FVDPC-1.25 F-10	19.6 (.772)				18.6 (.732)													
	VDPC-1.25 F- 9	FVDPC-1.25 F- 9	18.6 (.732)				9.0 (.354)													
16 to 14 (1.04 to 2.63)	VDPC-1.25 F- 7	FVDPC-1.25 F- 7		1.9 (.075)	4.1 (.161)	4.7 (.185)	16.6 (.654)	7.0 (.276)	17.0 (.669)	9.6 (.378)	0.8 (.031)		o		o	o	o		500	
	VDPC-2	FVDPC-2	21.6 (.850)				12.0 (.472)													
	VDPC-2 F-17	FVDPC-2 F-17	26.6(1.472)				18.6 (.732)													
12 to 10 (2.63 to 6.64)	VDPC-2 F- 9	FVDPC-2 F- 9		2.7 (.106)	5.7 (.224)	6.5 (.256)	18.6 (.732)	9.0 (.354)	14.0 (.551)	14.0 (.551)	1.0 (.039)			o		o			500	
	VDPC-2 F- 7	FVDPC-2 F- 7	16.6 (.654)				7.0 (.276)													
	VDPC-5.5	FVDPC-5.5	28.0(1.102)																	

Note:1) The part numbers indicated in the above table are for products with a brazed seam.
When ordering products with a butted seam, add the prefix "WS" to the part number (ex. FVDPC-2-->FVDWSPC-2).