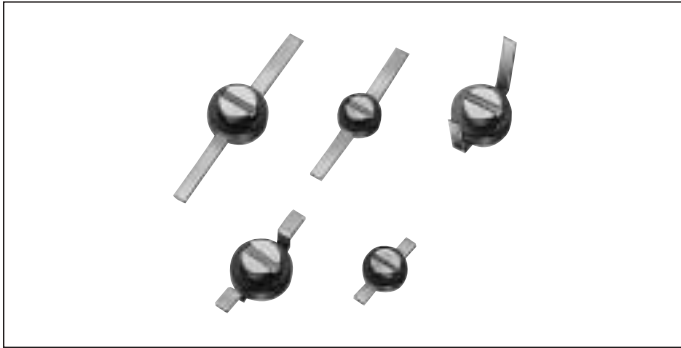


Trimmer Capacitors

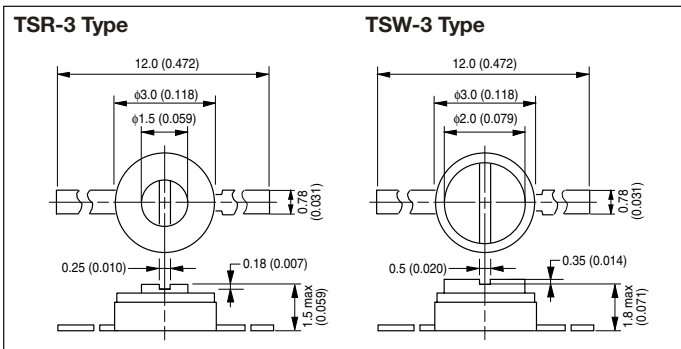


TSR, TSW, TSF Series

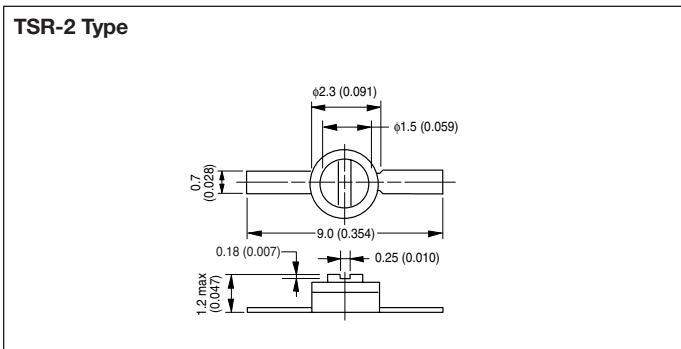


DIMENSIONS

3 ϕ Type



2 ϕ Type



SPECIFICATIONS

Part Number	Capacitance Range Mark	Capacitance Range Mark (pF)	Part Number	Thickness Marking			TC (ppm/°C)	Q Factor (1±0.1MHz)	Slot Dimension
				120	150	180			
TSR3 TSW3	Z	1 to 3	TSW3	—	—	O	NP0±300	TSR3≥150	TSR3 Normal Slot Width = 0.25 Depth = 0.18
	P	1.5 to 5	TSW3	—	—	O			
	SP	1.5 to 10	TSW3	—	—	O			
	H	2.5 to 10	TSW3	—	—	O	N750±500	TSW3≥200	
	S3	5.0 to 20	TSR3	—	O	—			
	S2	5.0 to 25	TSR3	—	O	—			
			TSW3	—	—	O			
	S	5.0 to 30	TSR3	—	O	—			
			TSW3	—	—	O			
	□	5.0 to 35	TSR3	—	O	—			
TSW3			—	—	O				
TSF2	L	5.0 to 20	TSF2	O	—	—	N1200±800	TSF2≥100	TSF2 Normal Slot Width = 0.25, Depth = 0.18
		5.0 to 25							
	L2								

FEATURES

- Ultra small and wide capacitance range
- Small ΔC after alcohol washing
- Better cost performance with Ag plated lead available
- Wide slot type adjustable by using nonconductive trimming driver

APPLICATIONS

- Watch
- Ultra miniature radio
- Telecommunication
- Ultra small video tuner
- Cordless phone
- Pager

HOW TO ORDER

TSR 3 S - 150 - AU

Lead Forming Type

Thickness Dimensions

120	1.2mm	TSF2 Type
150	1.5mm	TSR3 Type
180	1.8mm	TSW3 Type

Capacitance Range

Diameter Indication

3 = 3 ϕ Type 2 = 2 ϕ Type

Series


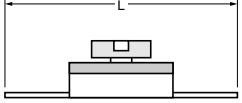

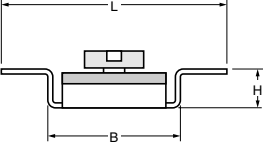

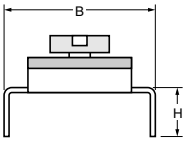

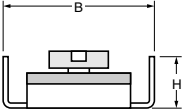
- TSR Series
- TSF Series
- TSW Series

Trimmer Capacitors



TSR, TSW, TSF Series

LEAD-FORMING TYPE

Series		Dimensions mm (inches)			Configuration
		H	B	L	
Standard Type 	TSF2	—	—	9.0±1.0 (0.354±0.039)	
	TSR3	—	—	12.0±1.0 (0.472±0.039)	
	TSW3	—	—	12.0±1.0 (0.472±0.039)	
HB Type 	TSF2	0.35±0.2 (0.014±0.008)	2.85±0.3 (0.112±0.012)	4.80±0.3 (0.189±0.012)	
AB Type 	TSW3	3.65±0.5 (0.144±0.020)	5.0±0.5 (0.197±0.020)	—	
AU Type 	TSW3	3.65±0.5 (0.144±0.020)	5.0±0.5 (0.197±0.020)	—	

CHARACTERISTICS

