

68AT300 SERIES  
CHART 2

M

DRAWING NUMBER

ISSUE 4

REVISIONS

A	PR13419	KAG	5 OCT 84
B	C058771	KAG	14 FEB 86
C	C072702	LJF	7 JUN 92

CHECK

CHECK

CHECK

CHECK

CHECK

CHECK

CHECK

FO-52861-B  
DRAWN

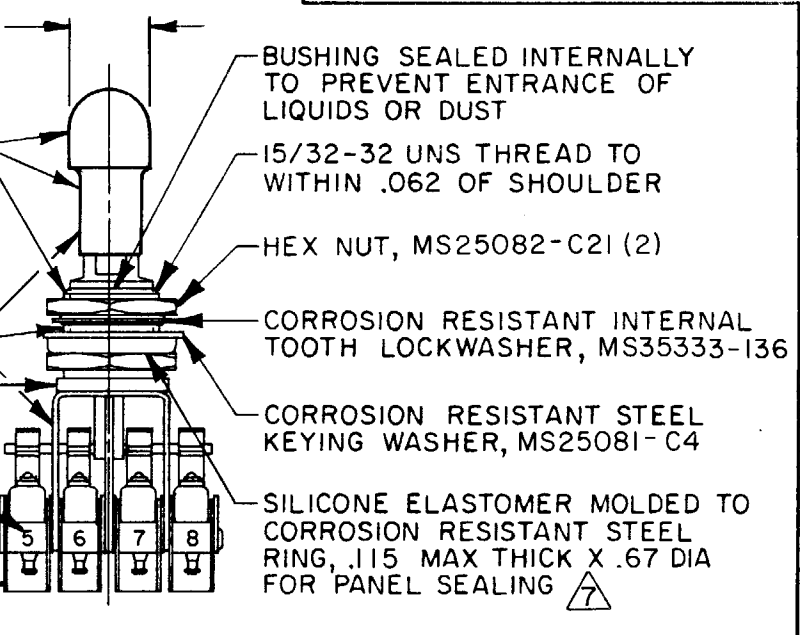
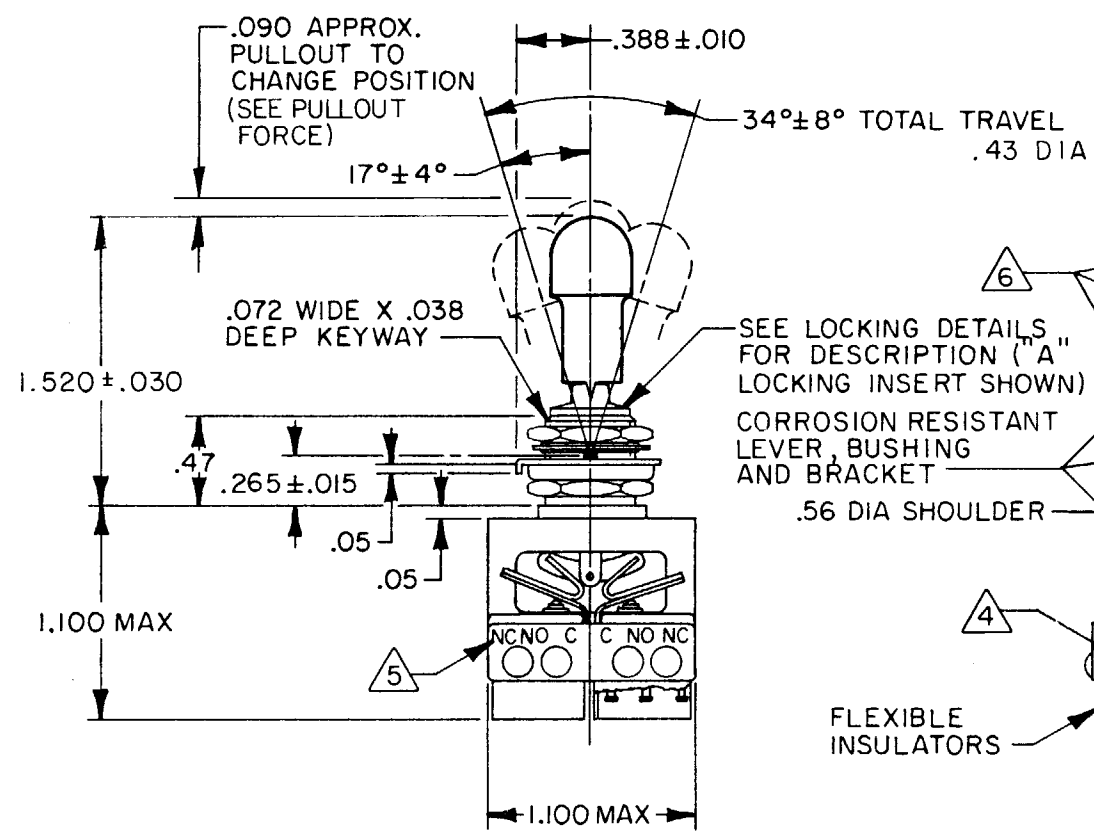
**MICRO SWITCH**  
FREEPORT, ILLINOIS, U.S.A.  
A DIVISION OF HONEYWELL  
FED. MFG. CODE 91929

**ASSEMBLY -  
TOGGLE SWITCH**

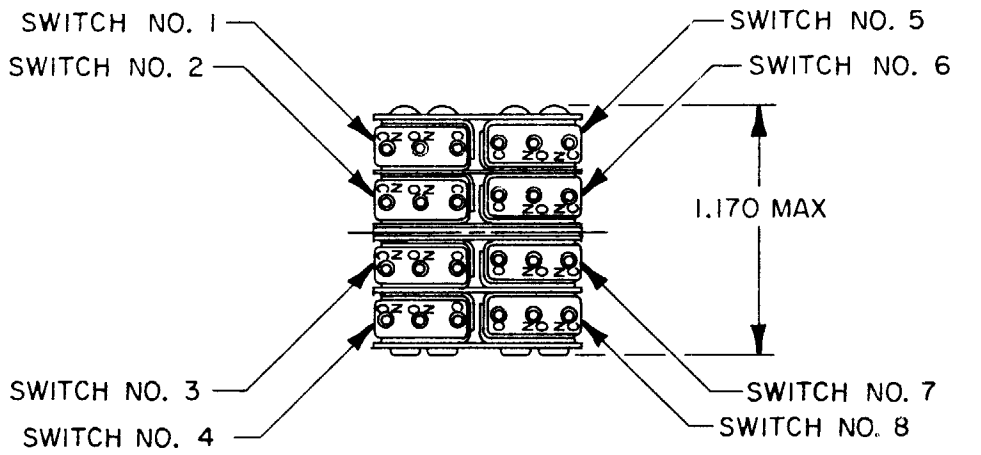
CATALOG LISTING  
**68AT300 SERIES**  
**CHART 2**

MILITARY PART NUMBER	CATALOG LISTING	KEYWAY POSITION		CENTER POSITION		OPPOSITE KEYWAY POSITION		RECOMMENDED LOCKING COMBINATIONS
		C-NC	C-NO	C-NO	C-NC	C-NC	C-NO	
	68AT300-1	1,2,3,4	5,6,7,8	NONE	ALL	5,6,7,8	1,2,3,4	A,B,D,E,F,G,H,J,K,L,M,N,P
	68AT300-3	1,2,3,4	5,6,7,8	NONE	NONE	5,6,7,8	1,2,3,4	D,F,G
	68AT300-5	1,2,3,4*	5,6,7,8*	NONE	ALL	5,6,7,8	1,2,3,4	E,F,K,L,M,N
M3805/98-089	68AT300-7	1,2,3,4*	5,6,7,8*	NONE	ALL	5,6,7,8*	1,2,3,4*	E,L,N

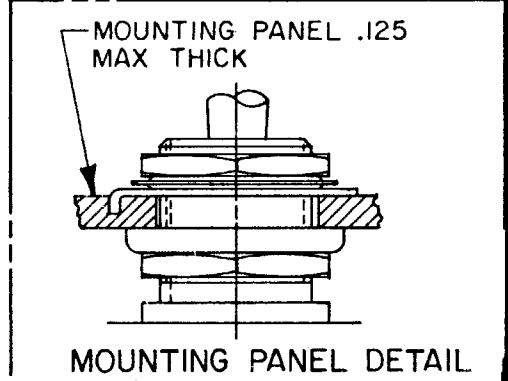
\* ASTERISK DENOTES MOMENTARY POSITION



"A" LOCKED IN THREE POSITIONS	"B" LOCKED IN CENTER AND EXTREME POSITION (KEYWAY SIDE)	"D" LOCKED OUT OF CENTER POSITION	"E" LOCKED IN CENTER POSITION
"F" LOCKED IN EXTREME POSITION (OPPOSITE KEYWAY)	"G" LOCKED IN EXTREME POSITION (KEYWAY SIDE)	"H" LOCKED OUT OF CENTER AND EXTREME POSITION (KEYWAY SIDE)	"J" LOCKED OUT OF CENTER AND EXTREME POSITION (OPPOSITE KEYWAY)
"K" LOCKED IN CENTER AND EXTREME POSITION (OPPOSITE KEYWAY)	"L" LOCKED OUT OF EXTREME POSITION (KEYWAY SIDE)	"M" LOCKED OUT OF AND INTO EXTREME POSITION (OPPOSITE KEYWAY)	"N" LOCKED OUT OF EXTREME POSITION (OPPOSITE KEYWAY)
			"P" LOCKED OUT OF AND INTO EXTREME POSITION (KEYWAY SIDE)



- NOTES**
- 1 - UNIT INCLUDES "SX" TYPE BASIC SWITCH (8) (MEETS REQUIREMENTS OF MIL-S-8805/4)
  - 2 - SWITCHES DO NOT NECESSARILY OPERATE SIMULTANEOUSLY
  - 3 - TERMINALS ARE PLATED FOR SOLDERING
  - 4 SWITCH NUMBERS STAMPED ON END OF BASIC SWITCHES
  - 5 TERMINAL DESIGNATION STAMPED ON BOTH SIDES OF UNIT
  - 6 DULL FINISH ON BUTTON, LEVER, AND BUSHING
  - 7 FOR PANEL SEAL TO BE EFFECTIVE MOUNTING HOLE IN PANEL SHOULD NOT EXCEED .500 DIA
  - 8 SUFFIX LETTER MUST BE ADDED FOR DESIRED TYPE TOGGLE LOCKING (SEE CHART FOR RECOMMENDED LOCKING COMBINATIONS)



THIS DRAWING COVERS A PROPRIETARY ITEM AND IS THE PROPERTY OF MICRO SWITCH. A DIVISION OF HONEYWELL. THIS DRAWING IS NOT TO BE COPIED OR USED WITHOUT THE APPROVAL OF MICRO SWITCH.

CHARACTERISTICS	ELECTRICAL DATA
PULLOUT FORCE - 3 LB MIN - 5 LB MAX	CONTACT ARRANGEMENT S P D T (8)

SCALE FULL

DO NOT SCALE PRINT

TOLERANCES  
APPLY TO DESIGN UNITS. CONVERSIONS ARE ONLY FOR REFERENCE. UNLESS NOTED, TOLERANCES ARE ±

DIM.	TOL.	DIM.	TOL.
mm	mm/in	in	mm/in
NO PLACES	X	17.04	
ONE PLACE	X,X	0.47,018	X,X
TWO PLACES	X,XX	0.101,006	X,XX
THREE PLACES	X,XXX		X,XXX
ANGLES			

SI METRIC  US CUSTOMARY

DESIGN UNITS  THIRD ANGLE PROJECTION

WEIGHT .09 LB EST

LOAD	ELECTRICAL RATINGS		
	SEA LEVEL	50,000 FT	
RESISTIVE	28 Vdc (AMPERES)	115 Vac, 60 Hz (AMPERES)	28 Vdc (AMPERES)
INDUCTIVE	7	7	4 2.5