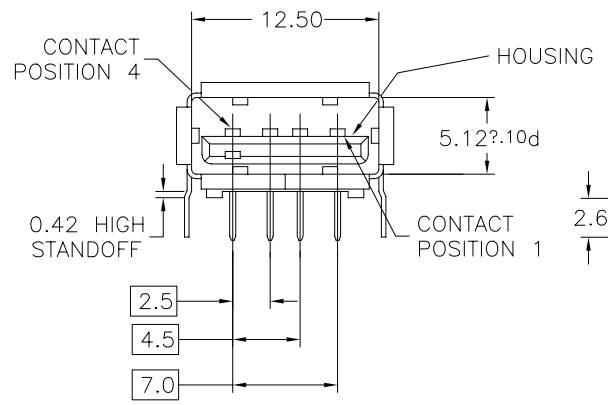
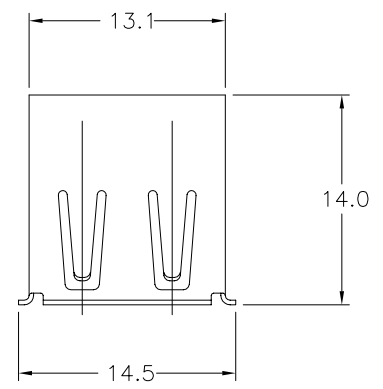


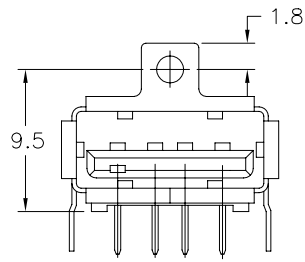
Tous droits strictement réservés. Reproduction ou communication a des tiers interdite sous quelque forme que ce soit sans autorisation écrite du propriétaire. Propriété de ©BERG ELECTRONICS. Droits de reproduction BERG ELECTRONICS INC.

All rights strictly reserved. Reproduction or issue to third parties in any form whatever is not permitted without written authority from the proprietor. Property of ©BERG ELECTRONICS Copyright BERG ELECTRONICS INC.

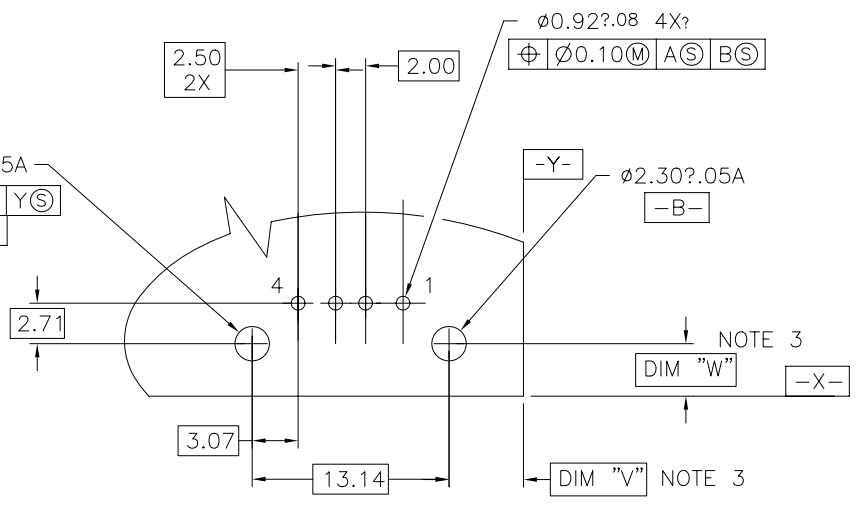
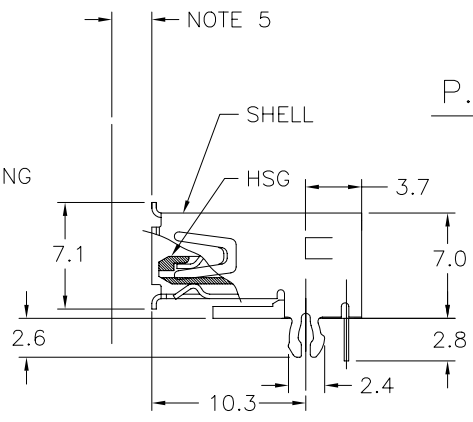
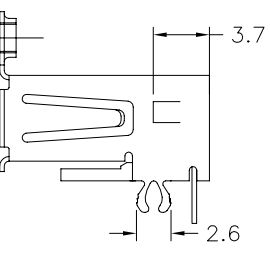
PRODUCT NO.  
SEE PRODUCT NUMBER CODE



FOR 4 PIN WITHOUT TOP SCREW



FOR 4 PIN WITH TOP SCREW



P.C. BOARD LAYOUT FOR 4 PIN 74552-X11XB

- NOTES:
- MATERIAL:  
CONTACTS: COPPER ALLOY  
SHELL: COPPER ALLOY  
HOUSING: UL 94V-0 RATED THERMOPLASTIC
  - PLATING:  
CONTACTS: SEE PRODUCT NUMBER CODE  
SHELL: 2.5µm BRIGHT TIN OVER NICKEL UNDERPLATE  
SEE PRODUCT NUMBER CODE
  - DATUM AND BASIC DIMENSIONS ESTABLISHED BY CUSTOMER
  - RECOMMENDED PC BOARD THICKNESS OF 1.57mm
  - 2.67mm MAXIMUM PANEL THICKNESS IF MOUNTED BEHIND PANEL
  - CONTACT PLATING CODE OPTION 1 DOES NOT MEET THE PLATING SPECIFIED PER UNIVERSAL SERIAL BUS SPECIFICATION REVISION 1.0
  - MAXIMUM PANEL THICKNESS TO BE 2.67mm IF MOUNTED BEHIND PANEL.
  - TORQUE SPEC 2.0kgf-cm MAX.
  - PACKING STANDARD GS-14-920 WILL BE APPLIED FOR LEAD FREE P/N'S
  - FOR LEAD FREE P/N, THE PRODUCT MEET EUROPEAN UNION DIRECTIVES AND OTHER COUNTRY REGULATION AS DESCRIBED IN GS-22-008
  - FOR LEAD FREE P/N'S, THE HOUSING WILL WITHSTAND EXPOSURE TO 260°C PEAK TEMPERATURE FOR 40 SECONDS IN A CONVECTION, INFRO-RED OR VAPOR PHASE REFLOW OVEN.
  - THE PRODUCT CAN BE USED FOR PIP PROCESS

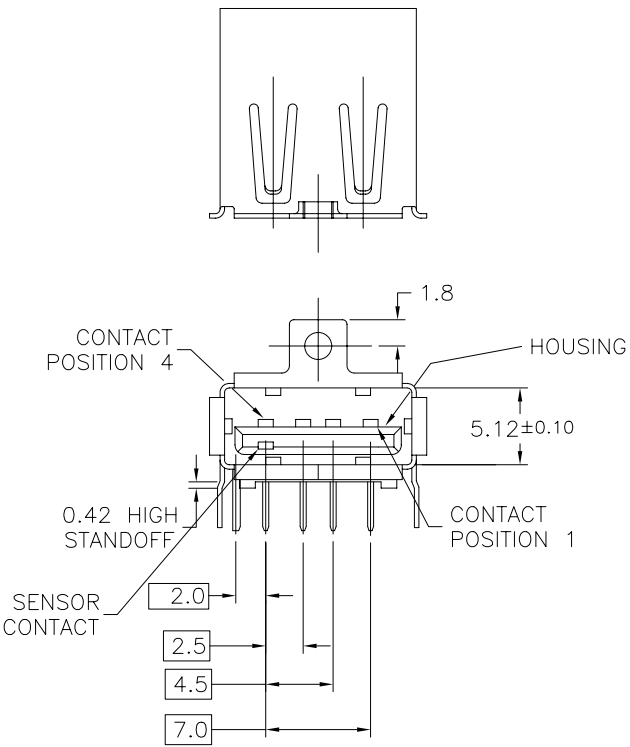
mat'l. code NOTE 1 & 2				tolerances unless otherwise specified		CUSTOMER COPY	FCI www.fciconnect.com	
ltr	ecn no	dr	date	.X ±.25		projection	title	
S	N06-0101	HB	04/13/06	.XX			UNIV. SERIAL BUS REVERSER RECEPTACLE	
T	N08-0238	R.B	2008/11/03	.XXX		mm	product family	
U	N09-0204	R.B	07/06/2009	angles			USB	
				dr	PAMP	2/2/98	code	
				enr	R Y LIU	2/2/98	-	
				chr	R Y LIU	2/2/98	sheet	
				appd	JENN TSAO	2/2/98	1 of 3	
sheet index	revision sheet	T	T	T				
		1	2	3				

Tous droits strictement réservés. Reproduction ou communication a des tiers interdite sous quelque forme que ce soit sans autorisation écrite du propriétaire.  
 Propriete de ©BERG ELECTRONICS. Droits de reproduction BERG ELECTRONICS INC.

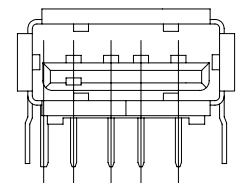


All rights strictly reserved. Reproduction or issue to third parties in any form whatever is not permitted without written authority from the proprietor.  
 Property of ©BERG ELECTRONICS Copyright BERG ELECTRONICS INC.

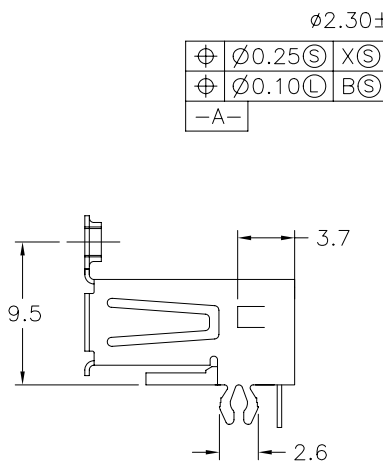
PRODUCT NO.  
 SEE PRODUCT NUMBER CODE



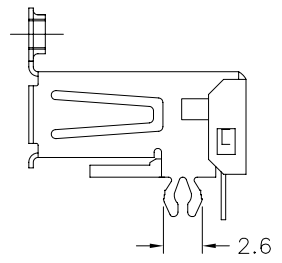
FOR 5 PIN WITH TOP SCREW



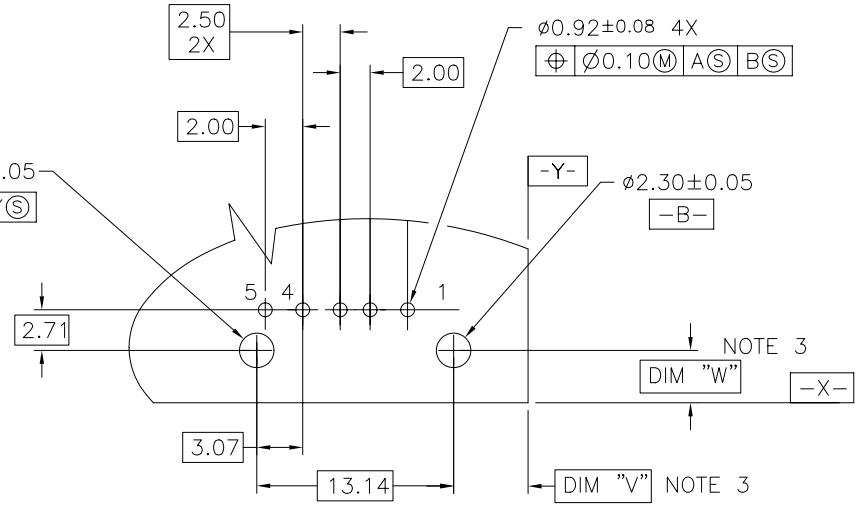
FOR 5 PIN FOR WITHOUT TOP SCREW



WITHOUT BACK SHIELD



WITH BACK SHIELD



P.C. BOARD LAYOUT FOR 5 PIN 74552-X01XB

mat'l. code		NOTE 1 & 2		tolerances unless otherwise specified		CUSTOMER COPY		FCI www.fciconnect.com	
ltr	ecn no	dr	date	linear	.X ±.25		projection	title	
u					.XX±.20			UNIV. SERIAL BUS REVERSER RECEPTACLE	
				angles	0° ±2°		mm	product family	
				dr	PETER	9/22/97		USB	
				enr	R Y LIU	9/22/97	scale	size  dwg no	
				chr	R Y LIU	9/22/97		74552	
				appd	JENN TSAO	9/22/97	2:1	sheet	
sheet index	revision sheet							2 of	

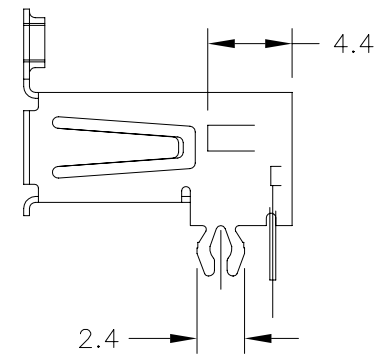
Tous droits strictement réservés. Reproduction ou communication a des tiers interdite sous quelque forme que ce soit sans autorisation écrite du propriétaire. Propriété de ©BERG ELECTRONICS. Droits de reproduction BERG ELECTRONICS INC.

All rights strictly reserved. Reproduction or issue to third parties in any form whatever is not permitted without written authority from the proprietor. Property of ©BERG ELECTRONICS Copyright BERG ELECTRONICS INC.

# PRODUCT NUMBER CODE

74552 - X X X X X P S LF

- BASE PRODUCT NUMBER \_\_\_\_\_
- HOUSING COLOR OPTIONS \_\_\_\_\_
- 0 - WHITE+SHELL TIN LEAD/TIN & NICKEL PLATING
  - 1 - BLACK+SHELL TIN LEAD/TIN & NICKEL PLATING
  - 2 - WHITE+SHELL NICKEL PLATING ONLY
  - 3 - BLACK+SHELL NICKEL PLATING ONLY
  - 4 - WHITE+SHELL TIN LEAD/TIN & NICKEL PLATING
  - S - BLACK+SHELL NICKEL PLATING ONLY  
(HIGH PERFORMANCE MATERIAL FOR 12,000 DURABILITY CYCLES)
- SENSOR CONTACT OPTION \_\_\_\_\_
- 0 - WITH SENSOR CONTACT & WITH TOP SCREW MOUNT(HSG PCT)
  - 1 - WITHOUT SENSOR CONTACT & WITHOUT TOP SCREW MOUNT
  - 2 - WITHOUT SENSOR CONTACT & WITH TOP SCREW MOUNT
  - 3 - WITH SENSOR CONTACT & WITH TOP SCREW MOUNT(HSG NYLON 66)
- SHELL OPTIONS \_\_\_\_\_
- 1 - WITHOUT BACK SHIELD
  - 2 - WITH BACK SHIELD
  - 3 - WITHOUT BACK SHIELD & BOARD LOCKS INSERTING FORCE UNDER 2Kgf
- TERMINAL PLATING OPTION \_\_\_\_\_
- 0 - 1.25um Ni UNDERPLATE  
0.76um GXT CONTACT AREA  
2.50 um TIN/LEAD TAIL AREA FOR P/N'S WITHOUT SUFFIX "LF"  
2.50 um PURE TIN TAIL AREA FOR P/N'S WITH SUFFIX "LF"
  - 1 - 1.25um Ni UNDERPLATE  
GOLD FLASH CONTACT AREA FOR P/N'S WITHOUT SUFFIX "LF"  
0.76um GXT CONTACT AREA FOR P/N'S WITH SUFFIX "LF"  
2.50um TIN/LEAD TAIL AREA FOR P/N'S WITHOUT SUFFIX "LF"  
2.50 um PURE TIN TAIL AREA FOR P/N'S WITH SUFFIX "LF"
- PACKAGING OPTION \_\_\_\_\_
- B - TUBES
- DATE CODE \_\_\_\_\_
- ONLY FOR PANASONIC \_\_\_\_\_
- LEAD FREE OPTION \_\_\_\_\_
- WHEN SENSOR CONTACT OPTION IS "1" OR "2"



INSERTING FORCE TO PCB 2Kgf MAX.  
& DURABILITY 5000 CYCLES  
P/N 74552-3230BX

\* 74552-S110XXLF CAN MEET 12,000 DURABILITY CYCLES

mat'l. code NOTE 1 & 2				tolerances unless otherwise specified			CUSTOMER COPY		FCI www.fciconnect.com	
ltr	ecn no	dr	date	linear	.X ±.25			projection	title UNIV. SERIAL BUS REVERSER RECEPTACLE	
u					.XX ±.20					
					.XXX					
				angles	0° ±2°				product family USB	
				dr	PETER PAM	9/22/97			code -	
				enr	R Y LIU	9/22/97			size dwg no	
				chr	R Y LIU	9/22/97			sheet 3 of	
				appd	JENN TSAO	9/22/97			scale 4 : 1	
sheet index		revision sheet						A4 74552		