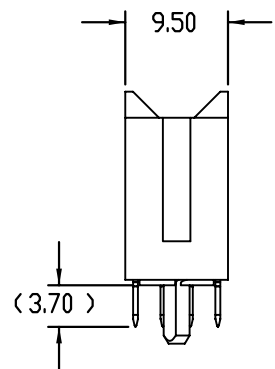
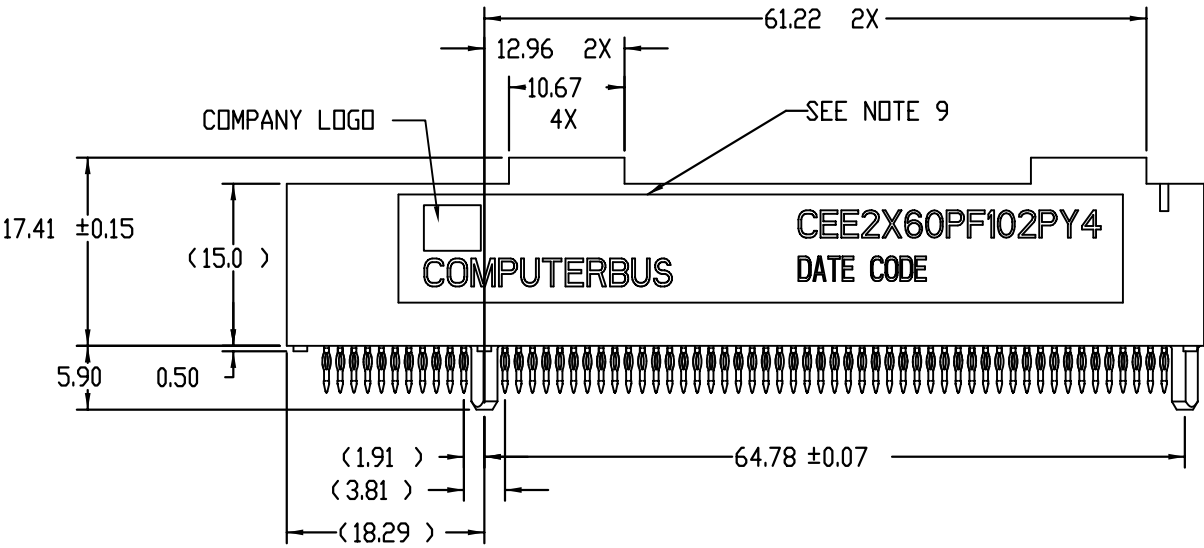
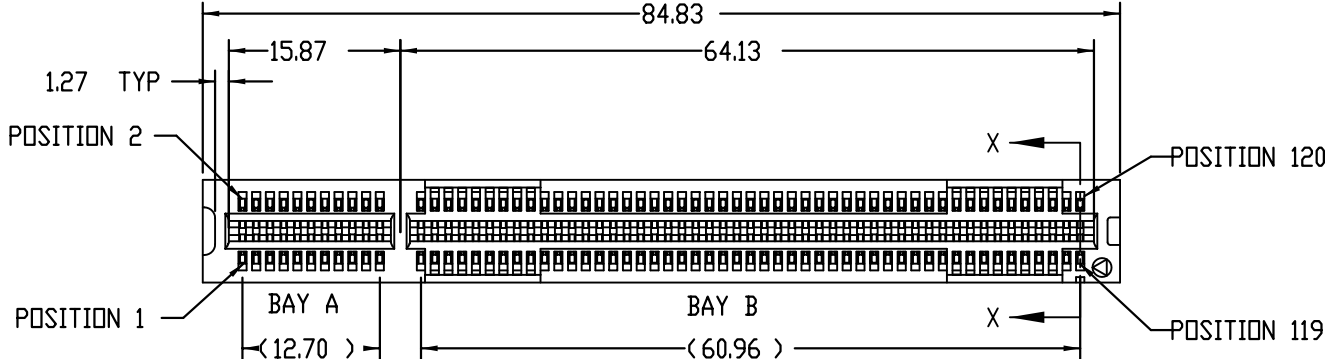


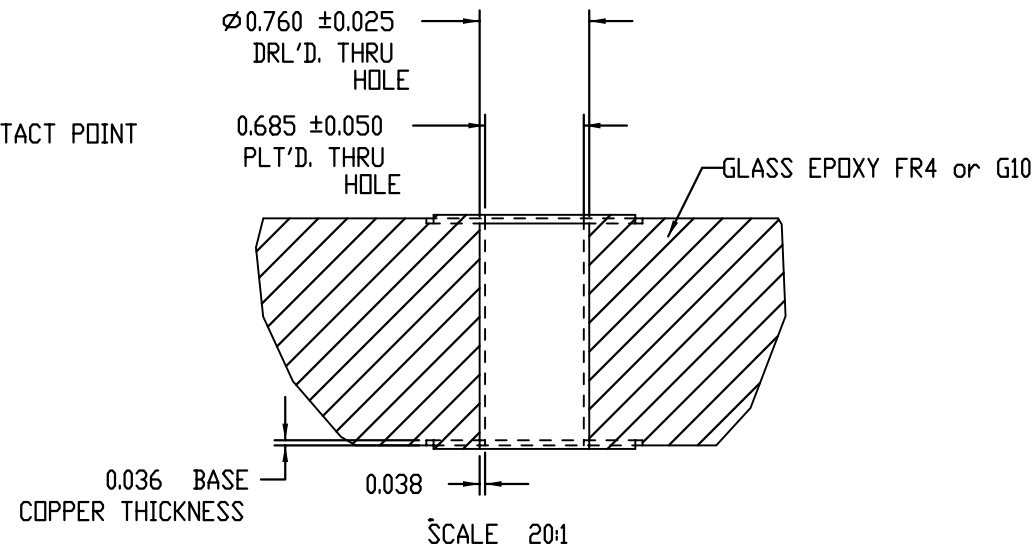
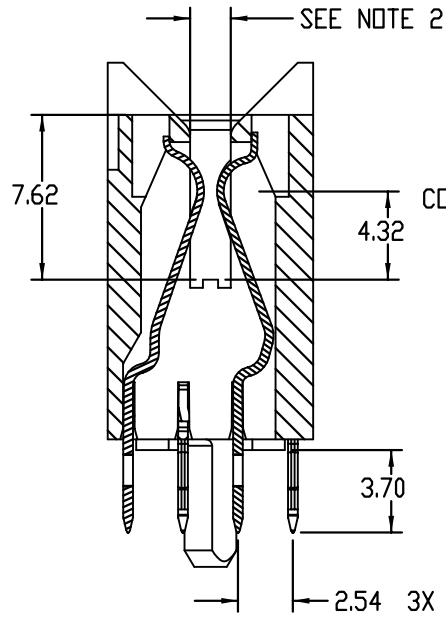
PRODUCT NUMBER
SEE TABLE



Copyright FCI

mat'l. code		surface ISO 1302		tolerance ISO 406 ISO 1101		projection		product family CARDEGE	
ltr	ecr no	dr	date	tolerances unless otherwise specified		MM		title CEE 2X60 PF CONNECTOR ASSEMBLY	
H	v04-1156	TAB	12/08/04	angles	.X±.2	MM		sheet 1 of 6 size	
J	M05-0079	ERE	04/25/05	linear	.XX±.10	scale 3:2		A3	
K	M06-0037	MHT	3/30/06	0°±1'	.XXX±.050	FCI		S97191	
L	M06-0234	AGS	06/16/06	dr	G. PETERS	9/12/01		type Product Customer Drawing	
M	M06-0325	MHT	8/24/06	engr	D. CASEY	9/24/01			
N	M06-0427	AGS	10/26/06	chr	G. PETERS	9/12/01			
P	M08-0221	AGS	07/08/08	appd	D. CASEY	9/12/01			
sheet	revision	P	P	P	P	P	P		
index	sheet	1	2	3	4	5	6		

FCI CATALOG NO. F/CONNECTORS w/CARD COLLECTORS	CONNECTOR SIZE	NO. CONTACTS LOADED	TERMINATION	LOAD PATTERN UNPOPULATED POSITIONS	CONTACT PAIRS BAY A	CONTACT PAIRS BAY B	CONTACT PAIRS BAY C
CEE2X60PF-102PY4	2x60	120	PRESS FIT	FULLY LOADED	11	49	n/a
CEE2X60PF-102PY4W	2x60	120	PRESS FIT	FULLY LOADED	11	49	n/a
CEE2X60PF-102PY4LF	2x60	120	PRESS FIT	FULLY LOADED	11	49	n/a
CEE2X60PF102PY4WLF	2x60	120	PRESS FIT	FULLY LOADED	11	49	n/a



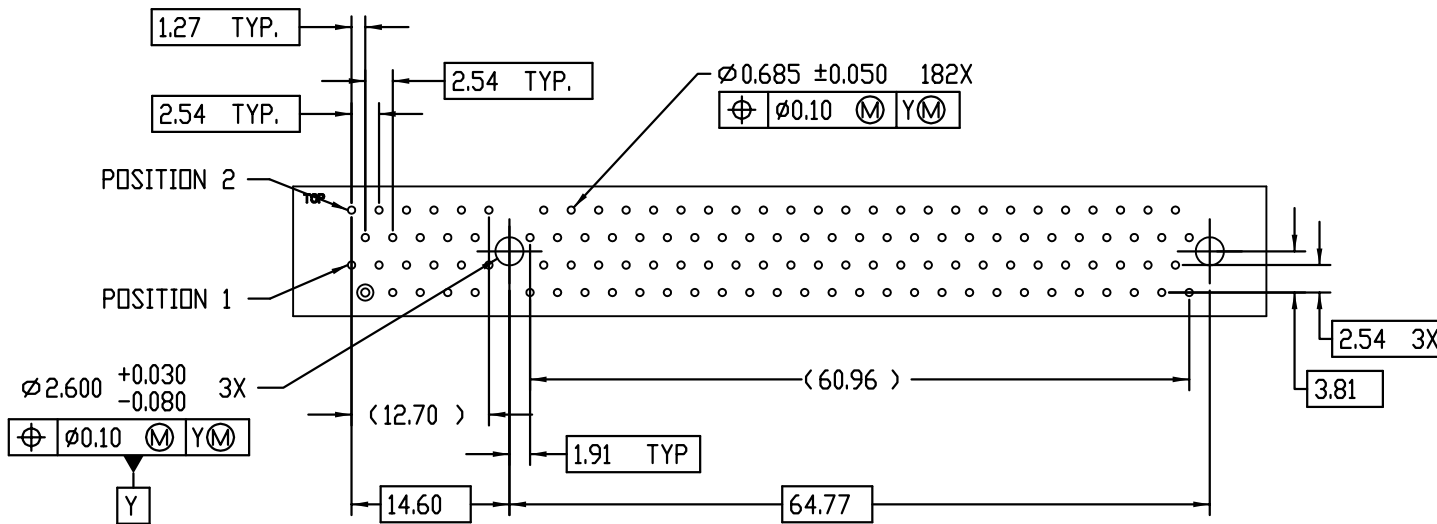
RECOMMENDED PLATED THRU HOLE DIMENSIONS
FOR COMPLIANT PRESS PINS



Copyright FCI

mat'l. code		surface ISO 1302		tolerance ISO 406 ISO 1101		projection		product family CARDEGE	
ltr	ecm no	dr	date	tolerances unless otherwise specified		MM		title CEE 2X60 PF CONNECTOR ASSEMBLY	
P				angles	linear	scale 3:2		dwg no S97191	
				0°±1'				sheet 2 of 6 size A3	
				dr	G. PETERS	9/12/01		type Product Customer Drawing	
				engr	D. CASEY	9/24/01			
				chr	G. PETERS	9/12/01			
				appd	D. CASEY	9/12/01			
sheet index	revision sheet								

PRODUCT NUMBER
SEE TABLE



RECOMMENDED BACKPLANE HOLE PATTERN FOR CEE2x60PF-102PY4 & CEE2X60PF-102PY4LF
CEE2x60PF-102PY4W & CEE2X60PF102PY4WLF

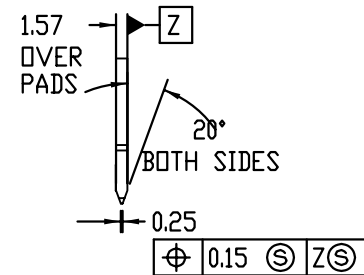
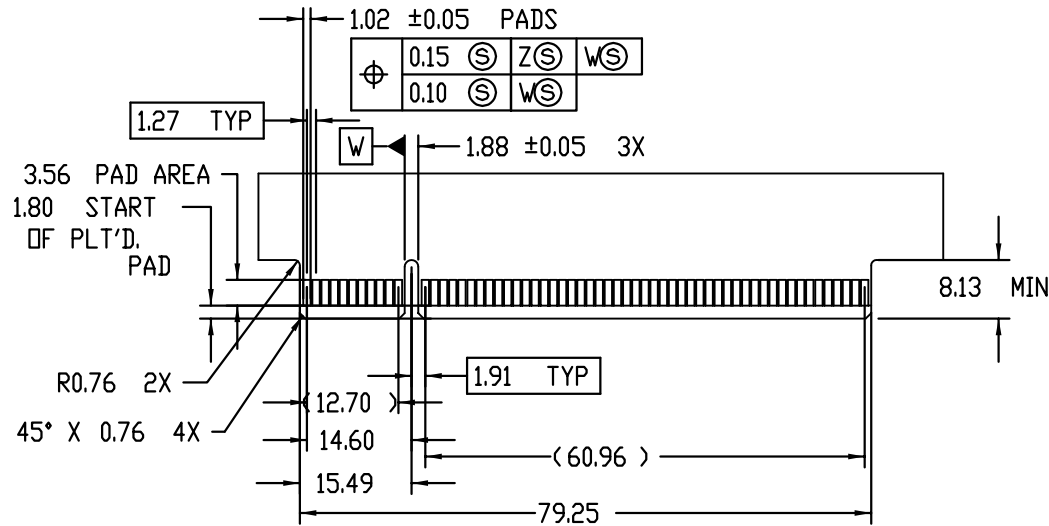


Copyright FCI

mat'l. code		surface ISO 1302		tolerance ISO 406 ISO 1101		projection		product family CARDEGE	
ltr	ecn no	dr	date	tolerances unless otherwise specified		MM		title CEE 2X60 PF CONNECTOR ASSEMBLY	
P				angles	linear	.X±.2 .XX±.10 .XXX±.050		scale 3:2	
				0°±1'				dwg no S97191	
				dr	G. PETERS	9/12/01		sheet 3 of 6 size A3	
				engr	D. CASEY	9/24/01		type Product Customer Drawing	
				chr	G. PETERS	9/12/01			
				appd	D. CASEY	9/12/01			
sheet index	revision sheet								

form: A3

PRODUCT NUMBER
SEE TABLE



RECOMMENDED MATING COMPONENT BOARD FOR CEE2x60PF-102PY4 & CEE2X60PF-102PY4LF
CEE2x60PF-102PY4W & CEE2X60PF102PY4WLF



Copyright FCI

mat'l. code		surface ISO 1302		tolerance ISO 406 ISO 1101		projection MM		product family CARDEDGE	
ltr	ecn no	dr	date	tolerances unless otherwise specified					
P				angles	linear	.X±.2	MM		title CEE 2X60 PF CONNECTOR ASSEMBLY
				0°±1°		.XX±.10	scale 3:2		dwg no S97191
				dr	G. PETERS	9/12/01	FCI		sheet 4 of 6 size A3
				engr	D. CASEY	9/24/01			type Product Customer Drawing
				chr	G. PETERS	9/12/01			
				appd	D. CASEY	9/12/01			
sheet index	revision sheet								

PRODUCT NUMBER
SEE TABLE

NOTES:

1. INTERPRET THIS DRAWING IN ACCORDANCE WITH ANSI Y14.5M -1982.
2. CONNECTORS WITH CARD COLLECTING SCOOPS ARE DESIGNED TO ACCOMMODATE 1.57+/- .180 PC BOARDS WITH WARPAGE UP TO +/-2.03.
3. RECOMMENDED COMPONENT BOARD MATERIAL:
P.C. BOARD:FR-4 WITH 28.35 GRAMS MIN. COPPER, PADS PLATED WITH .76 MICRONS MIN GOLD, PER MIL-G-45204, TYPE 1, CLASS 1, GRADE C OVER 2.54 MICRONS MIN NI. UNDERPLATE PER QQ-N-290.
4. RECOMMENDED BACK PLANE THICKNESS IS 2.39 FOR 3.71 COMPLIANT TAIL.
5. CONTACT MATING SURFACES ARE LUBRICATED WITH OS-138.
6. MATERIAL:

BODY: POLYPHTHALAMIDE (PPA) UL RATED 94V-0
COLOR, BLACK
LIQUID CRYSTAL POLIMER (LCP) 30% GF
COLOR, NATURAL

CONTACTS: PHOS BRONZE

CONTACT FINISH:

MAYBE BE EITHER 30μ(0.76μm) GOLD OR 30μ(0.76μm) GXT PLATED AT MANUFACTURER'S OPTION IN CRITICAL CONTACT AREA.

1-3μm (39-118μ") TIN-LEAD OVER 1.27μm(50μ") NI UNDERPLATE ON CONTACT TAILS.

LEAD FREE OPTION:

MAYBE BE EITHER 30μ(0.76μm) GOLD OR 30μ(0.76μm) GXT PLATED AT MANUFACTURER'S OPTION IN CRITICAL CONTACT AREA.

1-3μm (39-118μ") PURE TIN OVER 1.27μm(50μ") NI UNDERPLATE ON CONTACT TAILS.

7. PERFORMANCE CHARACTERISTICS: SEE SHEET 7.
8. ITEM NAME, LOGO, PART NUMBER, DATE CODE, AND UL SYMBOLS TO BE DISPLAYED IN THIS AREA. NATURAL COLOR CONNECTOR ONLY WILL HAVE DATE CODE DISPLAYED.
9. LF SUFFIX AT THE END OF PART NUMBER IS LEAD FREE.
10. THIS PRODUCT MEETS EUROPEAN UNION DIRECTIVES AND OTHER COUNTRY REGULATION AS DESCRIBED IN GS-22-008.
11. PART NUMBERS WITH "W" AT THE END OR "W" BEFORE "LF" ARE MOLDED IN NATURAL COLOR.



Copyright FCI

mat'l. code		surface ISO 1302		tolerance ISO 406 ISO 1101		projection 		product family CARDEGE	
ltr	ecr no	dr	date	tolerances unless otherwise specified				title CEE 2X60 PF CONNECTOR ASSEMBLY	
P				angles	linear	.X±.2 .XX±.10 .XXX±.050		dwg no S97191	
				Q'±1"		scale 3:2		sheet 5 of 6 size A3	
				dr	G. PETERS	9/12/01		type Product Customer Drawing	
				enrg	D. CASEY	9/24/01			
				chr	G. PETERS	9/12/01			
				appd	D. CASEY	9/12/01			
sheet index	revision sheet								

PRODUCT NUMBER
SEE TABLE

PERFORMANCE CHARACTERISTICS:

ENVIRONMENTAL:

OPERATING TEMPERATURE: -40C TO 105C
THERMAL SHOCK: EIA-364 TP32, -55C TO +85C, 5 CYCLES

FLAMABILITY RATING: UL94V-0

MECHANICAL:

DURABILITY: 100 MATING CYCLES WITHOUT PHYSICAL DAMAGE, OR EXCEEDING LOW LEVEL CONTACT RESISTANCE REQUIREMENTS WHEN MATED WITH RECOMMENDED CARD.

CONTACT RETENTION: EIA-364 TP29. 4.4 N MIN.

MATING FORCE: EIA-364 TP13, 2.0 N MAX. AVERAGE PER OPPOSING PAIR USING GAUGE PER MIL-STD-C-21097 WITH CARD PROFILE

CONTACT NORMAL FORCE: 0.72 N MINIMUM

PRESS FIT TERMINATION FORCES: INSERTION FORCE 70 N MAX. PER PIN
RETENTION FORCE 9 N MIN. PER PIN

ELECTRICAL:

CONTACT RESISTANCE: EIA-364 TP45, WITH 10 MILLIOHM MAX. INITIAL, 20 (LOW SIGNAL LEVEL) MILLIOHM RISE. COMPONENT BOARD SIDE - 1 MILLIOHM MAX., CONNECTION PRESS FIT PIN WITH w/PLATED THROUGH HOLE.

INSULATION RESISTANCE: MILL-STD-202, METHOD 302, CONDITION B, 1000 MEGOHMS MIN.

DIELECTRIC WITHSTAND VOLTAGE: EIA-364 TP45, CONDITION 1, 500 VAC RM

CAPACITANCE: 2 PICROFARADS, MAX AT 1 MEGAHERTZ

CURRENT RATING: 1 AMP, 30C RISE ABOVE AMBIENT

VOLTAGE RATING: 150 VAC (RMS)



Copyright FCI

mat'l. code		surface ISO 1302		tolerance ISO 406 ISO 1101		projection 		product family CARDEGE	
ltr	ecr no	dr	date	tolerances unless otherwise specified				title	
P				angles	linear			CEE 2X60 PF CONNECTOR ASSEMBLY	
				0°±1°		scale 3:2		dwg no	
				dr	G. PETERS	9/12/01			sheet 6 of 6
				engr	D. CASEY	9/24/01			size
				chr	G. PETERS	9/12/01			A3
				appd	D. CASEY	9/12/01			type
sheet index	revision sheet								Product Customer Drawing