

Panasonic アルミニウム電解コンデンサ Aluminium Electrolytic Capacitors/GYU·GH

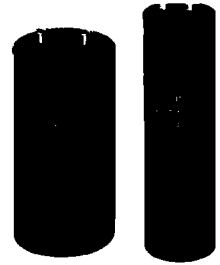
ネジ端子形アルミニウム電解コンデンサ

Aluminium Electrolytic Capacitors
(Type Screw Terminal Series GYU/GH)

Series: **GYU/GH**

Japan

Type: **Screw terminal**



■ 特 長

- 保証時間：85℃ 2000 h
<GYUシリーズ>
- 標準品
- 定格電圧範囲10～450 W.V.までラインアップ
<GHシリーズ>
- 高許容リプル電流保証品

Features

- Lifetime: 85℃ 2000 h
<Series GYU>
- General purpose
- Product line up of 10 to 450V
<Series GH>
- High-ripple-current product

■ 主な用途

- コンピュータ、制御機器等の電源、産業機器等のインバータ回路

Recommended Applications

- Suitable for the circuits of switching power supply, computer, inverter

■ 仕 様 Specifications

| シリーズ名 Series | GYU | | | | | | | | GH | | | | | | | | | | | | | | | | | | | | | | | | | | | | | | | | | | | | | | | | | | | | | | | | | | | | | | | | | | | |
|----------------------------------|--|------|------|------|------------------------------------|--------------|------|------|------------------|------------|--------------------------|----|----|----|----|----|----|----|-----|------------|----|------|------|------|------|------|------|------|------|------|----|------|------|------|------|------|------|------|------|----|------|------|------|------|------|------|------|------|----|------|------|------|------|------|------|------|------|----|------|------|------|------|------|------|------|------|------------|--|
| 使用温度範囲 Operating Temp. Range | -40 to +85 °C | | | | | | | | -25 to +85 °C | | | | | | | | | | | | | | | | | | | | | | | | | | | | | | | | | | | | | | | | | | | | | | | | | | | | | | | | | | | |
| 定格電圧範囲 Rated W.V. Range | 10 to 100 V. DC | | | | | | | | 160 to 450 V. DC | | | | | | | | | | | | | | | | | | | | | | | | | | | | | | | | | | | | | | | | | | | | | | | | | | | | | | | | | | | |
| 静電容量範囲 Nominal Cap. Range | 5600 to 1000000 μF | | | | 390 to 27000 μF | | | | 220 to 18000 μF | | | | | | | | | | | | | | | | | | | | | | | | | | | | | | | | | | | | | | | | | | | | | | | | | | | | | | | | | | | |
| 静電容量許容差 Capacitance Tolerance | -10 to +30 % (120 Hz/+20 °C) | | | | | | | | | | | | | | | | | | | | | | | | | | | | | | | | | | | | | | | | | | | | | | | | | | | | | | | | | | | | | | | | | | | |
| 漏れ電流 DC Leakage Current | 3√CV (μA) max. after 5 minutes application of rated working voltage +20 °C | | | | | | | | | | | | | | | | | | | | | | | | | | | | | | | | | | | | | | | | | | | | | | | | | | | | | | | | | | | | | | | | | | | |
| 損失角の正接 tan δ | <table border="1"> <thead> <tr> <th>Case dia (mm) \ W.V. (V)</th> <th>10</th> <th>16</th> <th>25</th> <th>35</th> <th>50</th> <th>63</th> <th>80</th> <th>100</th> <th>160 to 450</th> </tr> </thead> <tbody> <tr> <td>36</td> <td>0.45</td> <td>0.40</td> <td>0.35</td> <td>0.30</td> <td>0.30</td> <td>0.25</td> <td>0.25</td> <td>0.20</td> <td rowspan="5">0.15</td> </tr> <tr> <td>51</td> <td>0.65</td> <td>0.60</td> <td>0.55</td> <td>0.35</td> <td>0.35</td> <td>0.30</td> <td>0.25</td> <td>0.20</td> </tr> <tr> <td>64</td> <td>0.90</td> <td>0.75</td> <td>0.65</td> <td>0.50</td> <td>0.50</td> <td>0.40</td> <td>0.30</td> <td>0.25</td> </tr> <tr> <td>77</td> <td>1.60</td> <td>1.10</td> <td>0.75</td> <td>0.75</td> <td>0.75</td> <td>0.50</td> <td>0.40</td> <td>0.35</td> </tr> <tr> <td>90</td> <td>2.00</td> <td>1.50</td> <td>1.00</td> <td>0.90</td> <td>0.90</td> <td>0.60</td> <td>0.50</td> <td>0.45</td> </tr> </tbody> </table> | | | | | | | | | | Case dia (mm) \ W.V. (V) | 10 | 16 | 25 | 35 | 50 | 63 | 80 | 100 | 160 to 450 | 36 | 0.45 | 0.40 | 0.35 | 0.30 | 0.30 | 0.25 | 0.25 | 0.20 | 0.15 | 51 | 0.65 | 0.60 | 0.55 | 0.35 | 0.35 | 0.30 | 0.25 | 0.20 | 64 | 0.90 | 0.75 | 0.65 | 0.50 | 0.50 | 0.40 | 0.30 | 0.25 | 77 | 1.60 | 1.10 | 0.75 | 0.75 | 0.75 | 0.50 | 0.40 | 0.35 | 90 | 2.00 | 1.50 | 1.00 | 0.90 | 0.90 | 0.60 | 0.50 | 0.45 | 160 to 450 | |
| | Case dia (mm) \ W.V. (V) | 10 | 16 | 25 | 35 | 50 | 63 | 80 | 100 | 160 to 450 | | | | | | | | | | | | | | | | | | | | | | | | | | | | | | | | | | | | | | | | | | | | | | | | | | | | | | | | | | |
| | 36 | 0.45 | 0.40 | 0.35 | 0.30 | 0.30 | 0.25 | 0.25 | 0.20 | 0.15 | | | | | | | | | | | | | | | | | | | | | | | | | | | | | | | | | | | | | | | | | | | | | | | | | | | | | | | | | | |
| | 51 | 0.65 | 0.60 | 0.55 | 0.35 | 0.35 | 0.30 | 0.25 | 0.20 | | | | | | | | | | | | | | | | | | | | | | | | | | | | | | | | | | | | | | | | | | | | | | | | | | | | | | | | | | | |
| | 64 | 0.90 | 0.75 | 0.65 | 0.50 | 0.50 | 0.40 | 0.30 | 0.25 | | | | | | | | | | | | | | | | | | | | | | | | | | | | | | | | | | | | | | | | | | | | | | | | | | | | | | | | | | | |
| | 77 | 1.60 | 1.10 | 0.75 | 0.75 | 0.75 | 0.50 | 0.40 | 0.35 | | | | | | | | | | | | | | | | | | | | | | | | | | | | | | | | | | | | | | | | | | | | | | | | | | | | | | | | | | | |
| 90 | 2.00 | 1.50 | 1.00 | 0.90 | 0.90 | 0.60 | 0.50 | 0.45 | | | | | | | | | | | | | | | | | | | | | | | | | | | | | | | | | | | | | | | | | | | | | | | | | | | | | | | | | | | | |
| (120 Hz/+20 °C) | | | | | | | | | | 0.10 | | | | | | | | | | | | | | | | | | | | | | | | | | | | | | | | | | | | | | | | | | | | | | | | | | | | | | | | | | |
| | | | | | | | | | | (max.) | | | | | | | | | | | | | | | | | | | | | | | | | | | | | | | | | | | | | | | | | | | | | | | | | | | | | | | | | | |
| 高温負荷特性 Endurance | +85℃中にて規定のリプル電流を重畳し、直流電圧と交流電圧(せん頭値)の和が定格電圧と等しくなるような電圧を2000時間印加後 | | | | | | | | | | | | | | | | | | | | | | | | | | | | | | | | | | | | | | | | | | | | | | | | | | | | | | | | | | | | | | | | | | | |
| | 静電容量変化率 | | | | | 初期値の±20% | | | | | | | | | | | | | | | | | | | | | | | | | | | | | | | | | | | | | | | | | | | | | | | | | | | | | | | | | | | | | | |
| | 損失角の正接 | | | | | 初期規格値の150%以下 | | | | | | | | | | | | | | | | | | | | | | | | | | | | | | | | | | | | | | | | | | | | | | | | | | | | | | | | | | | | | | |
| | 漏れ電流 | | | | | 初期規格値以下 | | | | | | | | | | | | | | | | | | | | | | | | | | | | | | | | | | | | | | | | | | | | | | | | | | | | | | | | | | | | | | |
| | After 2000 hours application of DC voltage with specified ripple current (≤ rated DC working voltage) at +85 °C, the capacitor shall meet the following limits. | | | | | | | | | | | | | | | | | | | | | | | | | | | | | | | | | | | | | | | | | | | | | | | | | | | | | | | | | | | | | | | | | | | |
| Capacitance change | | | | | ±20 % of initial measured value | | | | | | | | | | | | | | | | | | | | | | | | | | | | | | | | | | | | | | | | | | | | | | | | | | | | | | | | | | | | | | | |
| tan δ | | | | | ≤ 150 % of initial specified value | | | | | | | | | | | | | | | | | | | | | | | | | | | | | | | | | | | | | | | | | | | | | | | | | | | | | | | | | | | | | | | |
| DC leakage current | | | | | ≤ Initial specified value | | | | | | | | | | | | | | | | | | | | | | | | | | | | | | | | | | | | | | | | | | | | | | | | | | | | | | | | | | | | | | | |
| 高温無負荷特性 Shelf Life | +85℃1000時間無負荷放置し、電圧処理を行った後の特性変化は高温負荷特性に準ずる。 After storage for 1000 hours at +85 °C with no voltage applied, the capacitor shall meet the specified limits for "Endurance". | | | | | | | | | | | | | | | | | | | | | | | | | | | | | | | | | | | | | | | | | | | | | | | | | | | | | | | | | | | | | | | | | | | |

設計・仕様について予告なく変更する場合があります。ご購入及びご使用前に当社の技術仕様書などをお求め願ひ、それらに基づいて購入及び使用していただきますようお願いいたします。なお、本製品の安全性について疑義が生じたときは、速やかに当社へご通知をいただき、必ず技術検討をしてください。
Design, Specifications are subject to change without notice. Ask factory for technical specifications before purchase and/or use. Whenever a doubt about safety arises from this product, please inform us immediately for technical consultation without fail.

Panasonic アルミニウム電解コンデンサ Aluminium Electrolytic Capacitors/GYU·GH

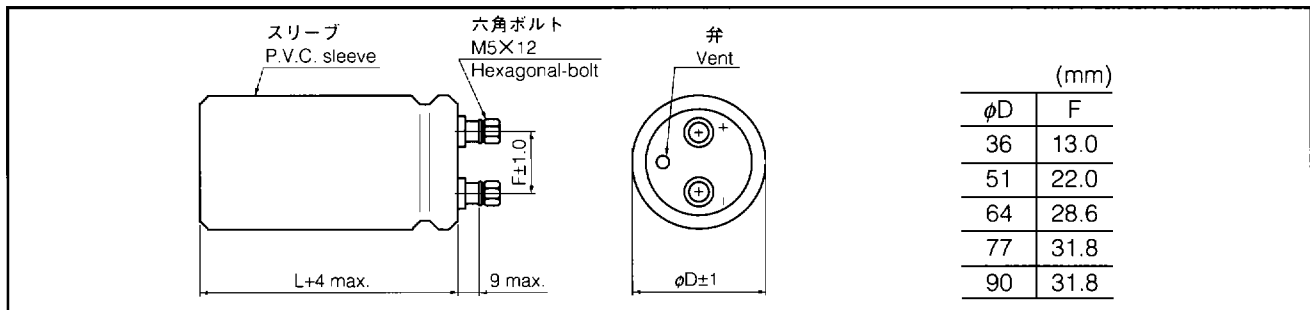
■ 品番構成 Explanation of Part Numbers

| | | | | | | | | | | | | | | | | | |
|----------------------|----|----|-------------|-----------------------------|----|----|-----------------------|-----|-----|--------------------------------|-----|--------------|-----|-----|-------------|-----|----|
| 1 | 2 | 3 | 4 | 5 | 6 | 7 | 8 | 9 | 10 | 11 | 12 | | | | | | |
| E | C | E | G | | | | | | | | | | | | | | |
| 品目記号 Product Code | | | 形状 Style | 定格電圧記号 R.W. Voltage Code | | | シリーズ記号 Series Code | | | 公称静電容量記号 N.Capacitance Code | | 仕様 Option | | | | | |
| W.V. code | 1A | 1C | 1E | 1V | 1H | 1J | 1K | 2A | 2C | 2D | 2E | 2V | 2G | 2W | Series code | U | H |
| W.V.(V) | 10 | 16 | 25 | 35 | 50 | 63 | 80 | 100 | 160 | 200 | 250 | 350 | 400 | 450 | Series | GYU | GH |

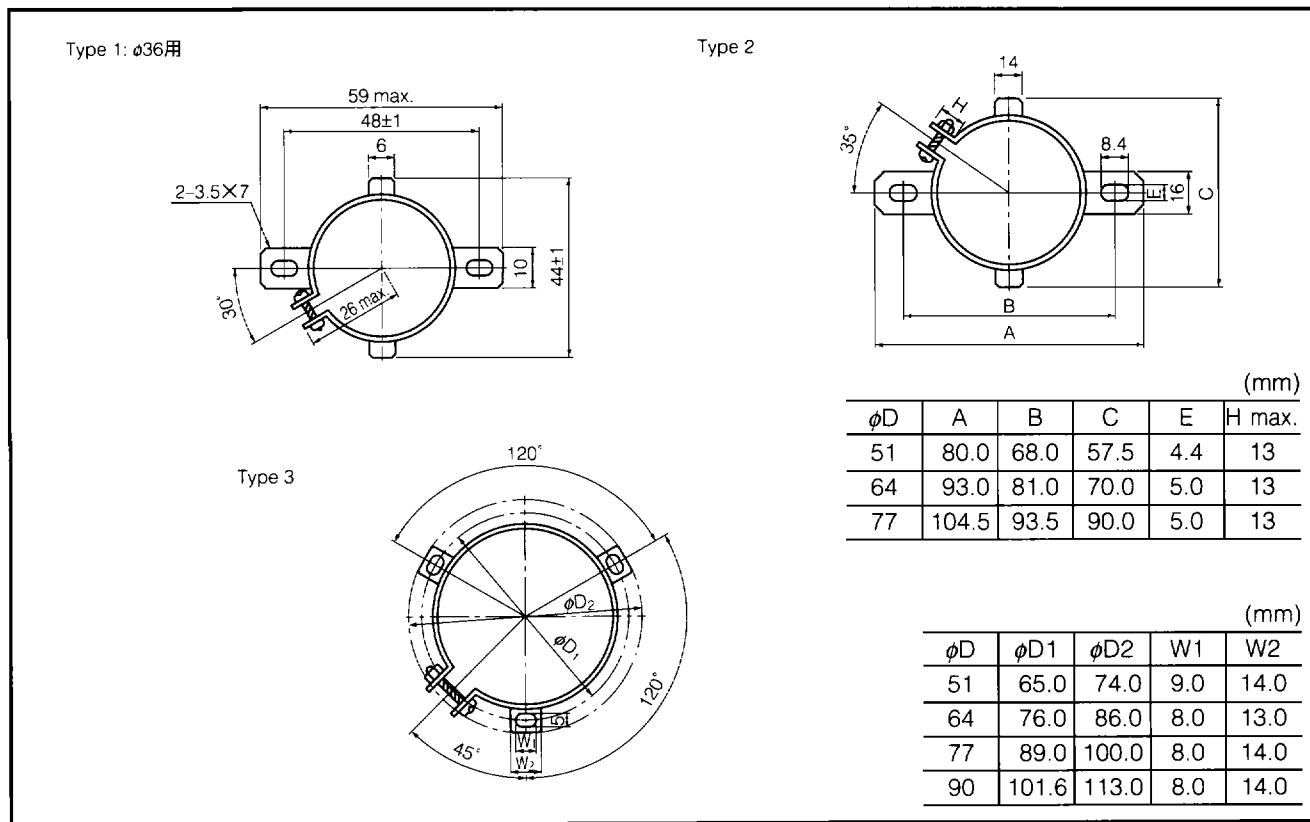
| | | | | | | |
|-------|--------|----|----|----|----|----|
| L(mm) | φD(mm) | 36 | 51 | 64 | 77 | 90 |
| 83 | | P | L | | | |
| 103 | | N | K | G | | |
| 125 | | M | J | F | D | |
| 145 | | | H | E | C | |
| 150 | | | | | | A |

| | |
|---|--|
| N | 取付金具なし without clamp |
| F | 取付金具付き with clamp (φ36-type 1 φ51 to φ90-type 3) |
| C | 取付金具付き with clamp (φ51 to φ77-type 2) |

■ 形状寸法 Dimensions in mm (not to scale)



■ 取付金具形状寸法 Mounting clamp



設計・仕様について予告なく変更する場合があります。ご購入及びご使用前に当社の技術仕様書などをお求め願ひ、それらに基づいて購入及び使用していただきますようお願いいたします。
 なお、本製品の安全性について疑義が生じたときは、速やかに当社へご通知をいただき、必ず技術検討をしてください。
 Design, Specifications are subject to change without notice. Ask factory for technical specifications before purchase and/or use.
 Whenever a doubt about safety arises from this product, please inform us immediately for technical consultation without fail.

Panasonic アルミニウム電解コンデンサ Aluminium Electrolytic Capacitors/GYU·GH

■ 寸法/許容リップル電流一覧表 Case size/Ripple current: (A) r.m.s. (120 Hz/+85 °C)

● 低圧級(10 ~ 100 W.V.) <GYUシリーズ>

| W.V. (V.DC) | | 10(1A)サージ電圧(SV)13 V | | 16(1C)サージ電圧(SV)20 V | | 25(1E)サージ電圧(SV)32 V | | 35(1V)サージ電圧(SV)44 V | |
|------------------------|------|---------------------|-------------------|---------------------|-------------------|---------------------|-------------------|---------------------|-------------------|
| Case size φD×L (mm) | Code | Cap. (μF) | Ripple current | Cap. (μF) | Ripple current | Cap. (μF) | Ripple current | Cap. (μF) | Ripple current |
| 36× 83 | P | 68000 | 5.9 | 39000 | 5.5 | 27000 | 5.8 | 22000 | 5.2 |
| 36×103 | N | 82000 | 7.1 | 56000 | 7.3 | 39000 | 7.5 | 27000 | 6.2 |
| 36×125 | M | 100000 | 8.5 | 68000 | 8.8 | 47000 | 9.0 | 33000 | 7.5 |
| 51× 83 | L | 150000 | 10.0 | 100000 | 9.6 | 82000 | 10.0 | 56000 | 8.7 |
| 51×103 | K | 220000 | 13.1 | 120000 | 11.3 | 100000 | 11.9 | 68000 | 10.5 |
| 51×125 | J | 270000 | 15.6 | 150000 | 13.8 | 120000 | 14.4 | 82000 | 12.3 |
| 51×145 | H | 330000 | 17.5 | 180000 | 14.1 | 150000 | 16.9 | 100000 | 15.0 |
| 64×103 | G | 330000 | 17.5 | 220000 | 15.6 | 180000 | 17.5 | 120000 | 15.2 |
| 64×125 | F | 390000 | 20.6 | 270000 | 18.7 | 220000 | 18.8 | 150000 | 16.3 |
| 64×145 | E | 560000 | 26.2 | 330000 | 21.9 | 270000 | 22.5 | 180000 | 18.1 |
| 77×125 | D | 680000 | 26.8 | 390000 | 23.1 | 330000 | 23.1 | 220000 | 18.7 |
| 77×145 | C | 820000 | 29.4 | 470000 | 26.9 | 390000 | 26.9 | 270000 | 22.0 |
| 90×150 | A | 1000000 | 30.6 | 680000 | 30.6 | 470000 | 29.4 | 330000 | 25.0 |

| W.V. (V.DC) | | 50(1H)サージ電圧(SV)63 V | | 63(1J)サージ電圧(SV)79 V | | 80(1K)サージ電圧(SV)100 V | | 100(2A)サージ電圧(SV)125 V | |
|------------------------|------|---------------------|-------------------|---------------------|-------------------|----------------------|-------------------|-----------------------|-------------------|
| Case size φD×L (mm) | Code | Cap. (μF) | Ripple current | Cap. (μF) | Ripple current | Cap. (μF) | Ripple current | Cap. (μF) | Ripple current |
| 36× 83 | P | 15000 | 3.8 | 10000 | 3.7 | 8200 | 3.5 | 5600 | 2.8 |
| 36×103 | N | 18000 | 4.5 | 15000 | 5.0 | 10000 | 4.3 | 8200 | 3.8 |
| 36×125 | M | 22000 | 5.5 | 18000 | 6.0 | 12000 | 5.0 | 10000 | 4.5 |
| 51× 83 | L | 33000 | 6.7 | 27000 | 7.6 | 18000 | 6.2 | 15000 | 5.7 |
| 51×103 | K | 47000 | 8.7 | 33000 | 9.7 | 22000 | 7.5 | 18000 | 6.7 |
| 51×125 | J | 56000 | 10.2 | 39000 | 10.7 | 27000 | 9.0 | 22000 | 8.2 |
| 51×145 | H | 68000 | 12.2 | 47000 | 12.5 | 39000 | 11.5 | 27000 | 9.7 |
| 64×103 | G | 82000 | 13.1 | 56000 | 13.7 | 39000 | 11.5 | 33000 | 10.5 |
| 64×125 | F | 100000 | 16.2 | 68000 | 16.2 | 47000 | 14.3 | 39000 | 12.5 |
| 64×145 | E | 120000 | 17.7 | 82000 | 20.0 | 56000 | 15.6 | 47000 | 14.3 |
| 77×125 | D | 150000 | 18.1 | 100000 | 20.6 | 68000 | 16.8 | 56000 | 15.6 |
| 77×145 | C | 180000 | 21.2 | 120000 | 23.7 | 100000 | 21.2 | 68000 | 18.1 |
| 90×150 | A | 220000 | 26.2 | 180000 | 31.2 | 120000 | 26.2 | 100000 | 23.7 |

● 中高压級(160~ 450 W.V.)

| W.V. (V.DC) | | 160 (2C) サージ電圧 (SV) 200 V | | | | 200 (2D) サージ電圧 (SV) 250 V | | | |
|------------------------|------|---------------------------|-------------------|--------------|-------------------|---------------------------|-------------------|--------------|-------------------|
| Series | | GYU | | GH | | GYU | | GH | |
| Case size φD×L (mm) | Code | Cap. (μF) | Ripple current | Cap. (μF) | Ripple current | Cap. (μF) | Ripple current | Cap. (μF) | Ripple current |
| 36× 83 | P | 2200 | 2.31 | 1500 | 4.13 | 1800 | 2.13 | 1200 | 3.63 |
| 36×103 | N | 2700 | 2.75 | 1800 | 5.00 | 2200 | 2.50 | 1500 | 4.50 |
| 36×125 | M | 3300 | 3.38 | 2200 | 5.88 | 2700 | 3.00 | 1800 | 5.38 |
| 51× 83 | L | 3900 | 3.75 | 2700 | 6.88 | 3300 | 3.50 | 2200 | 6.25 |
| 51×103 | K | 5600 | 5.00 | 3900 | 8.75 | 4700 | 4.50 | 2700 | 7.38 |
| 51×125 | J | 6800 | 5.75 | 4700 | 10.6 | 5600 | 5.25 | 3900 | 9.50 |
| 51×145 | H | 8200 | 6.75 | 5600 | 12.2 | 6800 | 6.25 | 4700 | 11.2 |
| 64×103 | G | 8200 | 6.75 | 5600 | 12.2 | 6800 | 6.25 | 4700 | 11.2 |
| 64×125 | F | 10000 | 8.13 | 6800 | 14.4 | 8200 | 7.38 | 5600 | 13.1 |
| 64×145 | E | 12000 | 9.50 | 8200 | 16.9 | 10000 | 8.63 | 6800 | 15.6 |
| 77×125 | D | 15000 | 11.2 | 10000 | 19.4 | 15000 | 11.2 | 10000 | 19.4 |
| 77×145 | C | 18000 | 12.5 | 12000 | 22.5 | 18000 | 13.1 | 12000 | 22.5 |
| 90×150 | A | 27000 | 17.5 | 18000 | 31.2 | 22000 | 15.6 | 15000 | 28.1 |

() 内は定格電圧記号

() shows W.V. code.

設計・仕様について予告なく変更する場合があります。ご購入及びご使用前に当社の技術仕様書などをお求め願ひ、それらに基づいて購入及び使用していただきますようお願いいたします。
 なお、本製品の安全性について疑義が生じたときは、速やかに当社へご通知をいただき、必ず技術検討をしてください。
 Design, Specifications are subject to change without notice. Ask factory for technical specifications before purchase and/or use.
 Whenever a doubt about safety arises from this product, please inform us immediately for technical consultation without fail.

Panasonic アルミニウム電解コンデンサ Aluminium Electrolytic Capacitors/GYU-GH

■ 寸法/許容リップル電流一覧表 Case size/Ripple current: (A) r.m.s. (120 Hz/+85 °C)

| W.V. (V.DC) | | 250 (2E) サージ電圧 (SV) 300 V | | | | 350 (2V) サージ電圧 (SV) 400 V | | | |
|------------------------|------|---------------------------|-------------------|--------------|-------------------|---------------------------|-------------------|--------------|-------------------|
| Series | | GYU | | GH | | GYU | | GH | |
| Case size φD×L (mm) | Code | Cap. (μF) | Ripple current | Cap. (μF) | Ripple current | Cap. (μF) | Ripple current | Cap. (μF) | Ripple current |
| 36× 83 | P | 1200 | 1.75 | 820 | 3.06 | 560 | 1.18 | 390 | 2.13 |
| 36×103 | N | 1500 | 2.13 | 1000 | 3.75 | 820 | 1.56 | 470 | 2.56 |
| 36×125 | M | 1800 | 2.50 | 1200 | 4.38 | 1000 | 1.88 | 560 | 3.00 |
| 51× 83 | L | 2200 | 2.88 | 1500 | 5.13 | 1200 | 2.13 | 820 | 3.75 |
| 51×103 | K | 3300 | 3.75 | 2200 | 6.75 | 1500 | 2.56 | 1000 | 4.50 |
| 51×125 | J | 3900 | 4.38 | 2700 | 8.13 | 1800 | 3.00 | 1200 | 5.38 |
| 51×145 | H | 4700 | 5.25 | 3300 | 9.25 | 2200 | 3.56 | 1200 | 5.75 |
| 64×103 | G | 4700 | 5.25 | 3300 | 9.25 | 2700 | 4.00 | 1500 | 6.50 |
| 64×125 | F | 5600 | 6.00 | 3900 | 11.0 | 3300 | 4.75 | 1800 | 7.63 |
| 64×145 | E | 6800 | 7.13 | 4700 | 12.5 | 3900 | 5.38 | 2200 | 8.75 |
| 77×125 | D | 10000 | 9.13 | 6800 | 16.2 | 4700 | 6.25 | 3300 | 11.2 |
| 77×145 | C | 12000 | 10.6 | 8200 | 18.7 | 6800 | 8.00 | 3900 | 13.1 |
| 90×150 | A | 15000 | 13.1 | 10000 | 23.1 | 8200 | 9.75 | 5600 | 17.5 |

| W.V. (V.DC) | | 400 (2G) サージ電圧 (SV) 450 V | | | | 450 (2W) サージ電圧 (SV) 500 V | | | |
|------------------------|------|---------------------------|-------------------|--------------|-------------------|---------------------------|-------------------|--------------|-------------------|
| Series | | GYU | | GH | | GYU | | GH | |
| Case size φD×L (mm) | Code | Cap. (μF) | Ripple current | Cap. (μF) | Ripple current | Cap. (μF) | Ripple current | Cap. (μF) | Ripple current |
| 36× 83 | P | 470 | 1.09 | 270 | 1.75 | 390 | 0.99 | 220 | 1.63 |
| 36×103 | N | 680 | 1.44 | 390 | 2.31 | 560 | 1.31 | 330 | 2.13 |
| 36×125 | M | 820 | 1.69 | 470 | 2.75 | 680 | 1.56 | 390 | 2.50 |
| 51× 83 | L | 1000 | 1.94 | 560 | 3.13 | 820 | 1.75 | 560 | 3.13 |
| 51×103 | K | 1200 | 2.31 | 820 | 4.13 | 1000 | 2.13 | 680 | 3.75 |
| 51×125 | J | 1500 | 2.75 | 1000 | 4.88 | 1200 | 2.50 | 820 | 4.50 |
| 51×145 | H | 1800 | 3.25 | 1200 | 5.75 | 1500 | 3.00 | 1000 | 5.25 |
| 64×103 | G | 2200 | 3.63 | 1200 | 5.75 | 1800 | 3.25 | 1200 | 5.75 |
| 64×125 | F | 2700 | 4.50 | 1500 | 6.88 | 2200 | 3.88 | 1200 | 6.25 |
| 64×145 | E | 3300 | 5.00 | 1800 | 8.00 | 2700 | 4.63 | 1500 | 7.25 |
| 77×125 | D | 3900 | 5.75 | 2700 | 10.2 | 3300 | 5.25 | 2200 | 9.25 |
| 77×145 | C | 5600 | 7.25 | 3300 | 12.0 | 4700 | 6.63 | 2700 | 10.9 |
| 90×150 | A | 6800 | 8.75 | 3900 | 14.4 | 5600 | 8.00 | 3900 | 14.4 |

() 内は定格電圧記号

() shows W.V. code.

■ 許容リップル電流補正係数 Frequency Correction Factor for Ripple Current

| W.V. (V) | φD (mm) | Freq (Hz) | | | | | | |
|----------|---------|-----------|------|------|------|------|------|------|
| | | 50 | 60 | 120 | 300 | 360 | 1K | 10K |
| 10 - 50 | 36 | 0.95 | 0.96 | 1.00 | 1.02 | 1.03 | 1.04 | 1.04 |
| | 51, 64 | 0.97 | 0.98 | 1.00 | 1.01 | 1.02 | 1.03 | 1.03 |
| | 77, 90 | 0.98 | 0.99 | 1.00 | 1.01 | 1.02 | 1.03 | 1.03 |
| 63, 80 | 36 | 0.92 | 0.95 | 1.00 | 1.06 | 1.08 | 1.11 | 1.12 |
| | 51, 64 | 0.94 | 0.96 | 1.00 | 1.05 | 1.07 | 1.10 | 1.11 |
| | 77, 90 | 0.96 | 0.97 | 1.00 | 1.03 | 1.05 | 1.08 | 1.09 |
| 100 | 36 | 0.90 | 0.94 | 1.00 | 1.06 | 1.09 | 1.13 | 1.15 |
| | 51, 64 | 0.93 | 0.97 | 1.00 | 1.04 | 1.06 | 1.10 | 1.13 |
| | 77, 90 | 0.95 | 0.98 | 1.00 | 1.02 | 1.03 | 1.07 | 1.08 |
| 160, 200 | 36 | 0.80 | 0.86 | 1.00 | 1.07 | 1.08 | 1.12 | 1.17 |
| | 51, 64 | 0.86 | 0.91 | 1.00 | 1.05 | 1.06 | 1.08 | 1.10 |
| | 77, 90 | 0.90 | 0.95 | 1.00 | 1.05 | 1.06 | 1.08 | 1.10 |
| 250, 350 | 36 | 0.71 | 0.79 | 1.00 | 1.09 | 1.10 | 1.15 | 1.21 |
| | 51, 64 | 0.83 | 0.88 | 1.00 | 1.07 | 1.08 | 1.13 | 1.20 |
| | 77, 90 | 0.85 | 0.90 | 1.00 | 1.05 | 1.06 | 1.11 | 1.20 |
| 400, 450 | 36 | 0.65 | 0.74 | 1.00 | 1.09 | 1.10 | 1.16 | 1.22 |
| | 51, 64 | 0.81 | 0.87 | 1.00 | 1.07 | 1.08 | 1.13 | 1.21 |
| | 77, 90 | 0.85 | 0.90 | 1.00 | 1.05 | 1.06 | 1.11 | 1.20 |

設計・仕様について予告なく変更する場合があります。ご購入及びご使用前に当社の技術仕様書などをお求め願ひ、それらに基づいて購入及び使用していただきますようお願いいたします。
 なお、本製品の安全性について疑義が生じたときは、速やかに当社へご通知をいただき、必ず技術検討をしてください。
 Design Specifications are subject to change without notice. Ask factory for technical specifications before purchase and/or use.
 Whenever a doubt about safety arises from this product, please inform us immediately for technical consultation without fail.

