

# 10/100Base-TX Interface Module with Enhanced Common Mode Attenuation

## EPF8143S & EPF8143S-RC

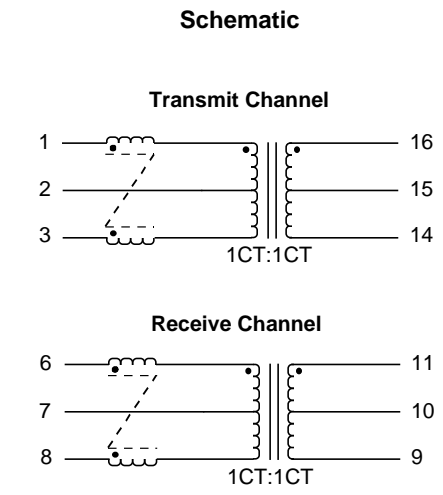
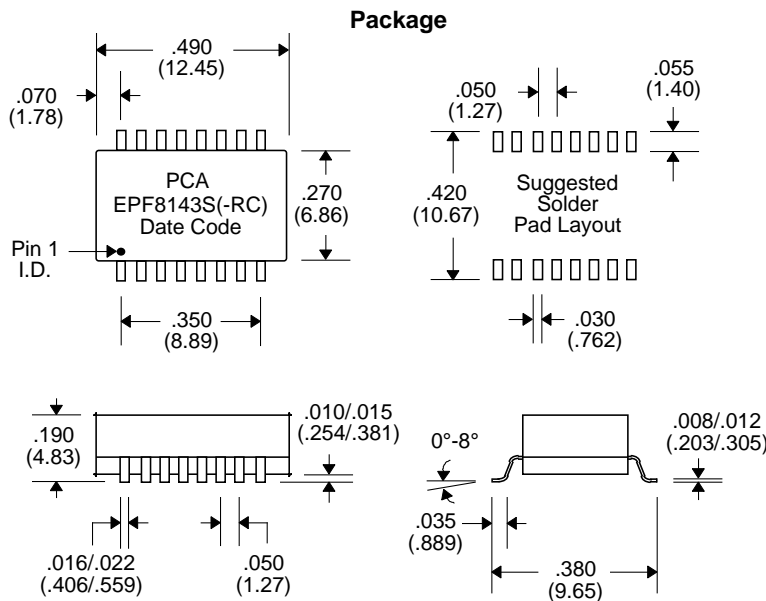


- Recommended for Enable EL40C331, Broadcom BCM5201, BCM5202 & Level One LXT970
- Designed to operate from 0°C to +70°C @ 8 mA DC Bias
- Complies with or exceeds IEEE 802.3 & ANSI X3.263 Standards
- Peak Solder Rating (see Note 2)
- RoHS Compliant

### Electrical Parameters @ 25° C

OCL @ 70°C	Insertion Loss (dB Max.)		Return Loss (dB Min.)			Common Mode Rejection (dB Min.)			Crosstalk (dB Min.)
	100 KHz, 0.1 Vrms 8 mA DC Bias	.1-100 MHz	150 MHz	1-30 MHz	60 MHz	100 MHz	1-30 MHz	30-100 MHz	
	Xmit/Rcv	Xmit/Rcv	Xmit/Rcv	Xmit/Rcv	Xmit/Rcv	Xmit/Rcv	Xmit/Rcv	Xmit/Rcv	Xmit/Rcv
350 μH	-1/-1	-3/-3	-18/-18	-12/-12	-10/-10	-40/-40	-35/-30	-10/-10	-35

• Isolation : 1500 Vrms • Impedance : 100 • Rise Time : 3.0 nS Max. •



Notes :	EPF8143S	EPF8143S-RC
1. Assembly Process (Solder Composition)	SnPb	Pb-Free + (RoHS exemption 7a)
2. Peak Solder Rating (per IPC/JEDEC J-STD-020C)	225°C	260°C
3. Moisture Sensitive Levels (MSL) (per IPC/JEDEC J-STD-020C)	MSL = 3 (168 Hours, 30°C/60%RH)	MSL = 4 (72 Hours, 30°C/60%RH)
4. Weight	0.912 gram	0.912 gram
5. Packaging Information (*Add "TR" to end of part number when placing order)	(Tube)	40 pieces/tube
	(Tape & Reel)	650 pieces/13" reel (*EPF8143S-TR)
		40 pieces/tube
		650 pieces/13" reel (*EPF8143S-RCTR)

Unless Otherwise Specified Dimensions are in Inches /mm ± .010 / .25