

EXPANDED RANGE PANEL MOUNTING

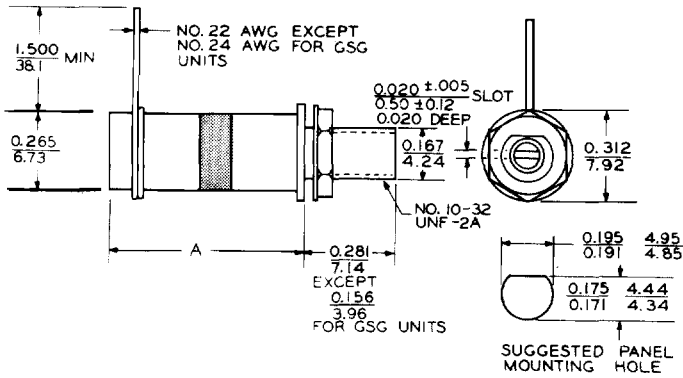


Figure 3C

EXPANDED RANGE SEALED PANEL MOUNTING

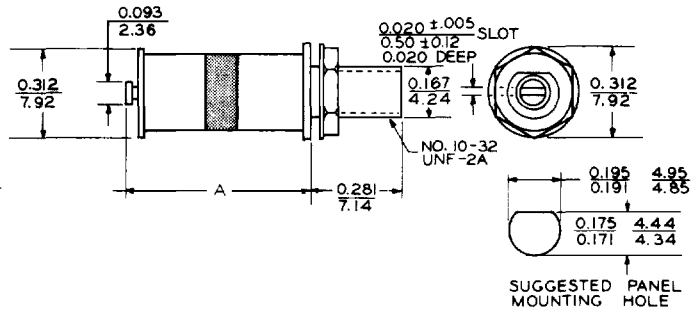


Figure 3D

Capacitance Range in pF Min. Max.	D-C Voltage Rating (Volts)	Minimum Quality Factor Q	Temp. Char. (See Table)	Model No. Figure 3C	A ± 0.031 (0.79) In. mm
--------------------------------------	----------------------------	--------------------------	-------------------------	---------------------	-------------------------------

STANDARD GLASS DIELECTRIC

1.2	10.0	500	500	Y	GSG006	0.266	6.76
1.0	14.0	750	500	G	GEP14000	0.375	9.53
1.0	28.0	750	350	G	GEP28000	0.609	15.47
1.0	42.0	750	250	G	GEP42000	0.828	21.03
1.0	60.0	750	250	G	GEP60000	1.078	27.38
1.0	90.0	750	250	G	GEP90000	1.672	42.47

HI-RANGE GLASS DIELECTRIC

1.2	16.0	500	750	Y	GSG007	0.312	7.92
1.0	16.0	750	750	G	GFP16000	0.375	9.53
1.0	36.0	750	550	G	GFP36000	0.609	15.47
1.0	52.0	750	350	G	GFP52000	0.828	21.03
1.0	75.0	750	250	G	GFP75000	1.078	27.38
1.0	120.0	750	250	G	GFP12100	1.672	42.47

Capacitance Range in pF Min. Max.	D-C Voltage Rating (Volts)	Min. Quality Factor Q	Temp. Char. (See Table)	Model No. Figure 3D	Mil Designation	Length A ± 0.031 (0.79) In. mm
--------------------------------------	----------------------------	-----------------------	-------------------------	---------------------	-----------------	--------------------------------------

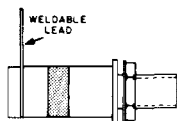
STANDARD GLASS

1.0	14	1000	500	G	GER14000	*PC39G140	0.469	11.91
1.0	28	1000	350	G	GER28000	*PC39G280	0.703	17.86
1.0	42	1000	250	G	GER42000	*PC39G420	0.922	23.42
1.0	60	1000	250	G	GER60000	*PC39G600	1.172	29.77
1.0	90	1000	250	G	GER90000	*PC39G900	1.766	44.86

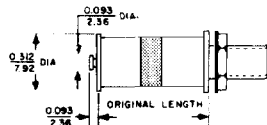
HI-RANGE GLASS

1.0	16	1000	750	G	GFR16000	PC39G160	0.469	11.91
1.0	36	1000	550	G	GFR36000	PC39G360	0.703	17.86
1.0	52	1000	350	G	GFR52000	PC39G520	0.922	23.42
1.0	75	1000	250	G	GFR75000	PC39G750	1.172	29.77
1.0	120	1000	250	G	GFR12100	PC39G121	1.766	44.86

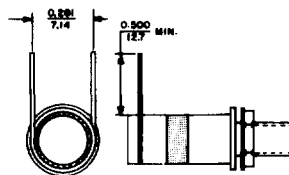
*These capacitors were listed in Military Specification MIL-C-14409B but do not appear in MIL-C-14409D.



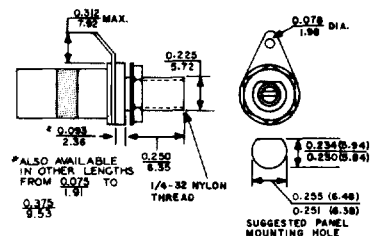
No. 13
WELDABLE LEAD



No. 14
TURRET CAP



No. 15
DOUBLE LEADS



No. 30
INSULATED NYLON BUSHING