

## MOMENTARY ACTION COMMERCIAL GRADE LED ILLUMINATED & SEALED

The LP3 offers rugged, sealed construction with the added benefit of reliable LED illumination.

The LP3 is a precision snap-action switch designed for use in off-highway, material handling, industrial controls, marine, medical and demanding commercial applications. Choose from the standard mounting styles and electrical ratings, or contact us for custom configurations.

On sealed models, a silicone boot operating on our patented "rolling sleeve" principle protects the contact area against contamination at the button area. This boot provides long life and smooth operation over a wide temperature range. Sealed terminals protect the contact area from hostile environments and solder flux on both sealed and unsealed models.

High contact pressure, amazingly low (25mΩ max, standard) contact resistance and extremely low contact bounce are all the result of the OTTO patented snap-action mechanism. Extra long electrical life and precise trip point offer added value and precision operation.

### Features:

- **Watertight to IP68S; moistureproof & dusttight to IP64**
- **LED lighted with the ability to accommodate 2, 6, 12 & 24VDC power & includes reverse voltage protection**
- **Tall & dome style buttons in translucent white, red & amber permitting sublimated & pad printed legends**
- **Less than 25mΩ contact resistance**
- **Quick disconnect terminals**
- **15/32" & 5/8" thread, press fit & dome case styles available**



Raised Dome



Front Mount



Standard Characteristics/Ratings:		
<b>ELECTRICAL RATINGS:</b>		
<b>Load</b>	Sea Level @ 28VDC or 115VAC, 60/400Hz	
Resistive	5A	
Inductive	3A	
Lamp	1A	
Motor	3A	
DWV	1050Vrms	
Low Level	10mA @ 30mV	
<b>Electrical Life:</b>	25,000 cycles	
<b>LIGHTING:</b>		
<b>Light Source Voltage (DC)</b>	<b>Actual Voltage Nominal (DC)</b>	<b>Voltage Max (DC)</b>
2	2	2.6
6	7	8
12	13.5	14.5
24	28	28.6
<b>Mechanical Life:</b>	250,000 cycles @ +85°C 25,000 cycles @ -55°C	
<b>Seal:</b>	IP64 or IP68S	
<b>Operating Temp Range:</b>	-55°C to +85°C	
<b>Operating Force:</b>	2.5 +/- 1.5 lbs. or 5.0 +/- 1.0 lb.	
<b>Total Travel:</b>	0.080 inches max	
<b>Overtravel:</b>	0.010 inches min	
<b>MATERIALS:</b>		
<b>Case:</b>	Anodized aluminum alloy	
<b>Button:</b>	Thermoplastic	
<b>Terminals:</b>	Standard silver plate with optional gold plating for low level applications	
<b>Mounting Hardware:</b>	Hex nut, lockwasher and panel gasket when applicable	

### LP3 PART NUMBER CODE

LP3 - X X X X X X X - XX

Case Style	Circuit Rating	Light Source Type* w/ Rev. Pol Protection	Seal Level	Operating Force	Case Color	Button Color	Legend Style
E. Exposed Dome	1. SPST N.O./Std.	A. 2V Red LED	1. Unsealed	2. 2.5 lbs.	1. Silver	A. Amber, Translucent (use Amber LED)	Refer to Legend Table for legend codes in Appendix. Legends will be printed in white on amber and red buttons and in black on white buttons.
F. Flush Dome	2. SPST N.C./Std.	B. 2V Green LED	2. Dusttight	5. 5.0 lbs.	2. Black	R. Red, Translucent (use Red LED)	
R. Raised Dome	3. SPST 2 Circuit/Std.	C. 2V Amber LED	3. Watertight			W. White, Translucent	
1. Press Fit Mount	4. SPST N.O./Low Level	D. 6V Red LED					
3. 5/8" Thread Front Mount	5. SPST N.C./Low Level	E. 6V Green LED					
4. 15/32" Thread Rear Mount	6. SPST 2 Circuit/Low Level	F. 6V Amber LED					
6. 5/8" Thread Rear Mount		G. 12V Red LED					
		H. 12V Green LED					
		J. 12V Amber LED					
		K. 24V Red LED					
		L. 24V Green LED					
		M. 24V Amber LED					

**STOP HERE** for illuminated switches without legends.

\* For super bright LEDs, contact factory.

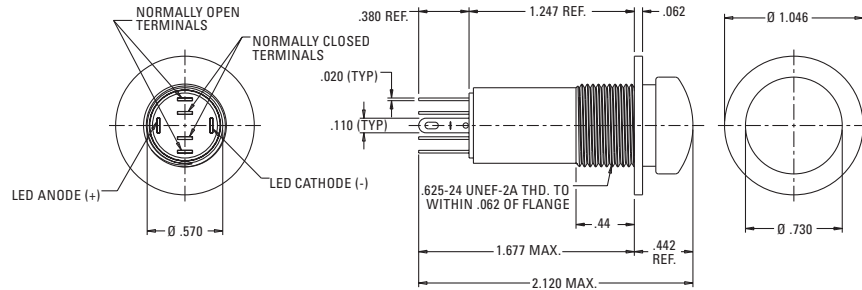
# ILLUMINATED & SEALED PUSHBUTTONS

**LP3**  
ILLUMINATED  
PUSHBUTTONS

## MOMENTARY ACTION COMMERCIAL GRADE LED ILLUMINATED & SEALED

### LP3-E

Momentary, Exposed Dome Button

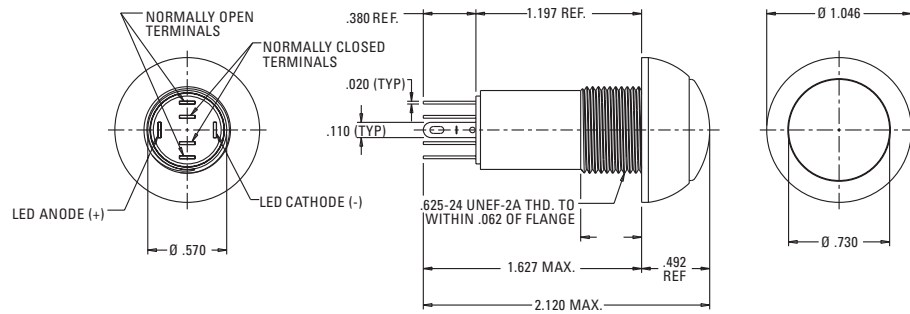


**NOTE:**

For indicator light only, see LP5 series.

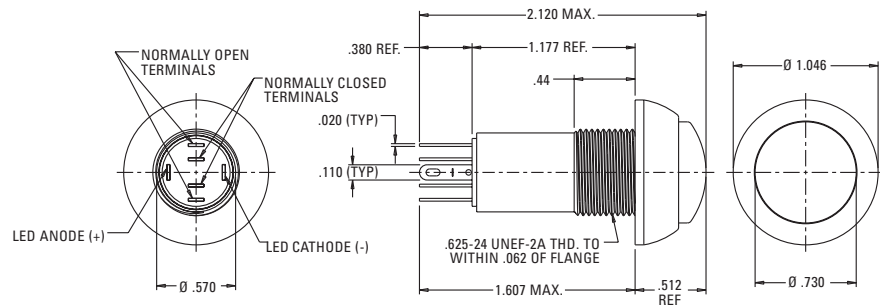
### LP3-F

Momentary, Flush Dome Button



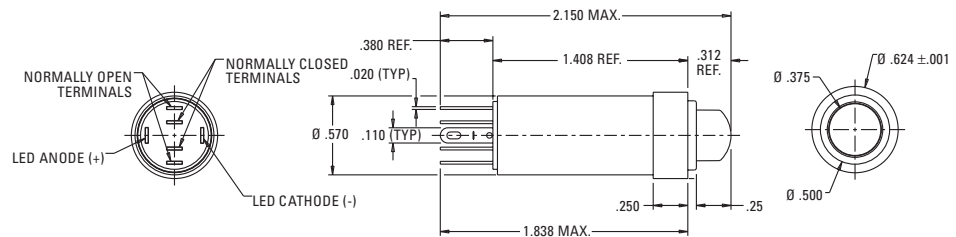
### LP3-R

Momentary, Raised Dome Button



### LP3-1

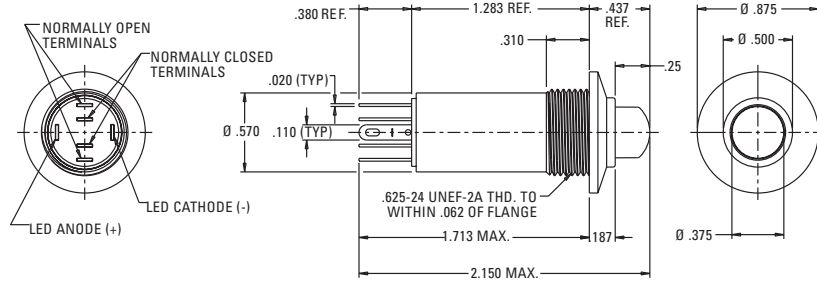
Momentary, Press Fit Mount



MOMENTARY ACTION COMMERCIAL GRADE LED ILLUMINATED & SEALED

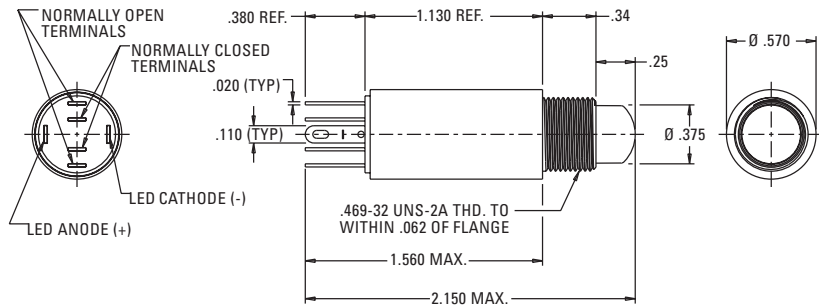
**LP3-3**

Momentary, 5/8" Threaded Front Mount



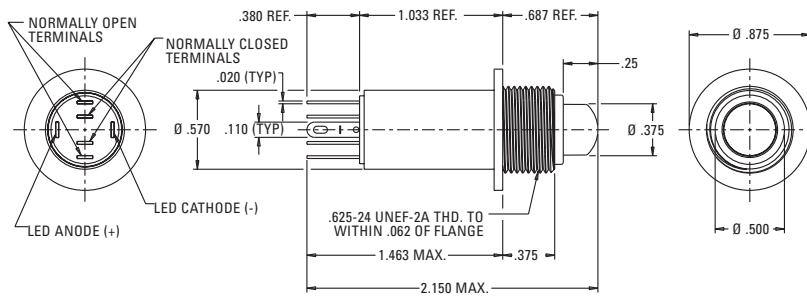
**LP3-4**

Momentary, 15/32" Threaded Rear Mount



**LP3-6**

Momentary, 5/8" Threaded Rear Mount



**NOTE:**

For indicator light only, see LP5 series.

