

**Low Cost Three-Way GMIC SMT Power Divider,
1761.5 - 2047.6 MHz**

**MAPD-007352-000100
V1**

Features

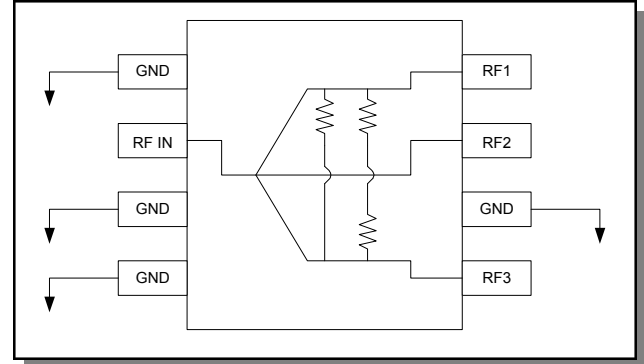
- Small Size and Low Profile
- Industry Standard SOIC-8 SMT Plastic Package
- Excellent Amplitude and Phase Balance
- Superior Repeatability
- Typical Insertion Loss: 1.0 dB
- Typical Isolation: 18 dB
- 1 Watt Power Handling
- Lead-Free SOIC-8 Package
- 100% Matte Tin Plating over Copper
- Halogen-Free “Green” Mold Compound
- 260°C Reflow Compatible

Description

M/A-COM’s MAPD-007352-000100 is an IC-based monolithic power divider using M/A-COM’s GMIC technology in a low cost SOIC-8 plastic package. This 3-way power divider is ideally suited for applications where small size, low insertion loss, superior phase/amplitude tracking and low cost are required. Typical applications include personal communication systems and other communication applications where size and PCB real estate are at a premium. Available in tape and reel.

The MAPD-007352-000100 is fabricated using a passive-integrated circuit process. The process features full-chip passivation for increased performance and reliability.

Functional Diagram



Pin Configuration

Pin No.	Function	Pin No.	Function
1	GND	5	RF3
2	RF IN	6	GND
3	GND	7	RF2
4	GND	8	RF1

Ordering Information

Part Number	Package
MAPD-007352-000100	Bulk Packaging
MAPD-007352-0001TR	1000 piece reel
MAPD-007352-0001TB	Sample Test Board

Note: Reference Application Note M513 for reel size information.

Note: Die quantity varies.

Electrical Specifications: T_A = 25°C¹

Parameter	Units	Min	Typ	Max
Insertion Loss above 4.8 dB	dB	—	1.0	1.4
Isolation	dB	12	18	—
VSWR Input	Ratio	—	1.8:1	2.0:1
Amplitude Balance	dB	—	0.3	0.6

1. All specifications apply with a 50-ohm source and load impedance.

* Restrictions on Hazardous Substances, European Union Directive 2002/95/EC.

**Low Cost Three-Way GMIC SMT Power Divider,
1761.5 - 2047.6 MHz**

**MAPD-007352-000100
V1**

Absolute Maximum Ratings ^{2,3}

Parameter	Absolute Maximum
Input Power ⁴	1W CW
Operating Temperature	-40°C to +85°C
Storage Temperature	-65°C to +150°C

- Exceeding any one or combination of these limits may cause permanent damage to this device.
- M/A-COM does not recommend sustained operation near these survivability limits.
- With internal load dissipation of 0.125W maximum.

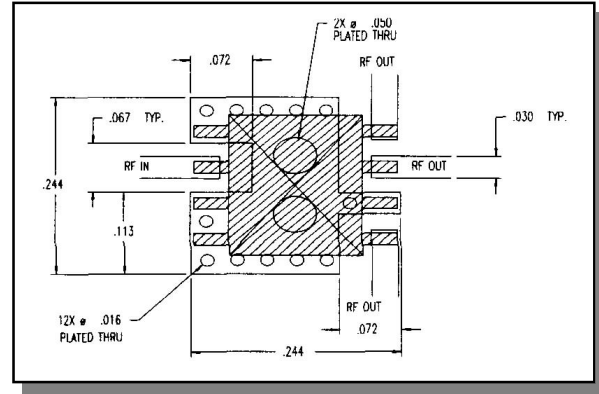
Handling Procedures

Please observe the following precautions to avoid damage:

Static Sensitivity

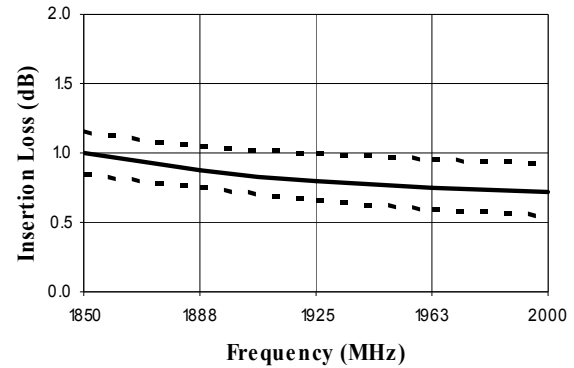
GMIC Circuits are sensitive to electrostatic discharge (ESD) and can be damaged by static electricity. Proper ESD control techniques should be used when handling these devices.

Recommended PIN Configuration

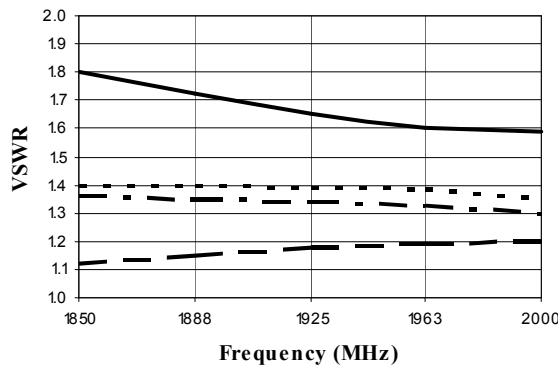


Typical Performance Curves

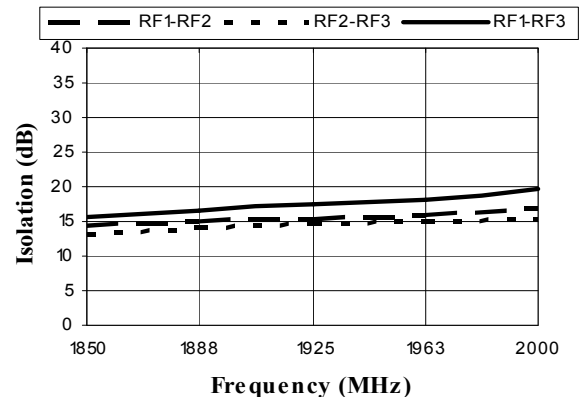
Insertion Loss
(Dashed lines show amplitude balance window)



VSWR



Isolation

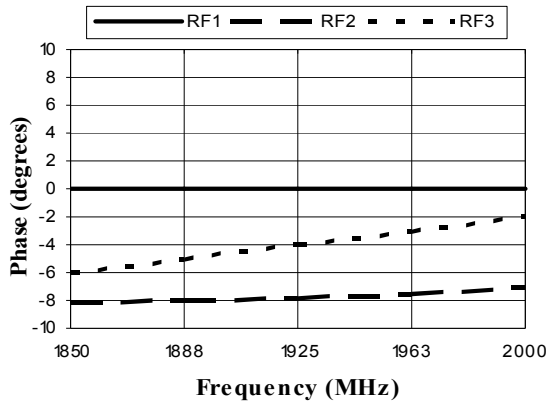


**Low Cost Three-Way GMIC SMT Power Divider,
1761.5 - 2047.6 MHz**

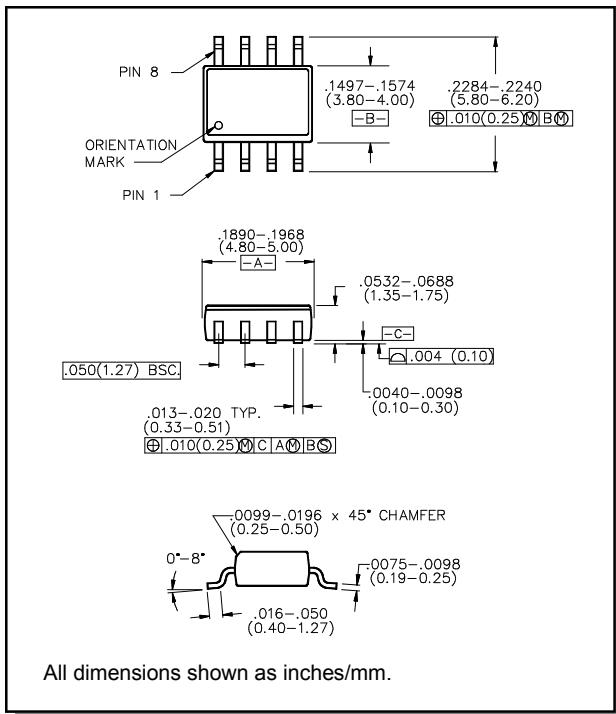
**MAPD-007352-000100
V1**

Typical Performance Curves

Phase Balance (Relative to RF1)



Lead-Free SOIC-8[†]



[†] Reference Application Note M538 for lead-free solder reflow recommendations.