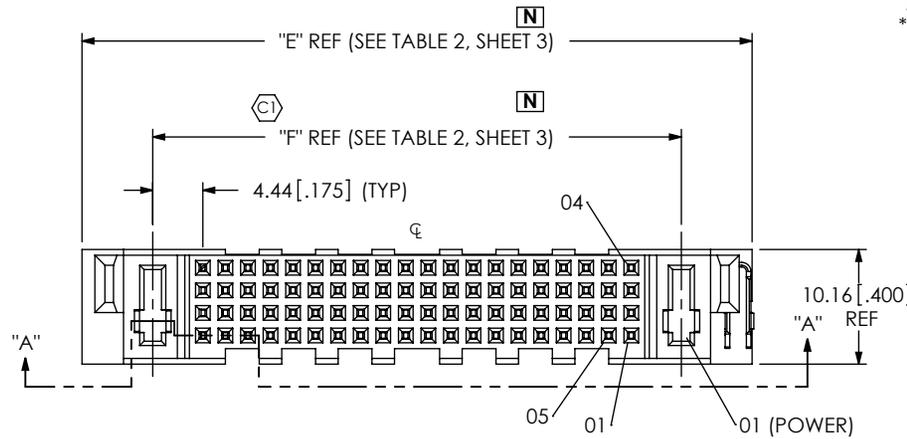


DESIGNED & DIMENSIONED
IN MILLIMETERS

MPSC-XX-XX-XX-X.XX-XX-X-V-XX

DO NOT
SCALE FROM
THIS PRINT



- POWER PINS (PER END)**
 ***-00 * -01, -02
SIGNAL PINS
 *-80 (4 X 20)
 -48 (4 X 12)
 -36 (4 X 9)
 -24 (4 X 6)
 ***-20 (4 X 5)
 -16 (4 X 4)
 ***-12 (4 X 3)
 -08 (4 X 2)
 -04 (4 X 1)
POWER PINS (PER END)
 *-01, -02
 ***-03, ***-04
 ***-H1, ***-H2, ***-H3, ***-H4
 (H-X INDICATES HOT SWAP OPTION)
LEAD STYLE
 -7.70
 ** -9.70
 (SEE TABLE 1)
OPTION
 -LC: LOCKING CLIP
 (USE LC-07-TM)
 (SEE FIG. 2, SHT 2)
VERTICAL
PLATING SPECIFICATION
 -L: SEE TABLE 3
 -T: SEE TABLE 3
TAIL LENGTH
 -01: FOR 1.57 [.062] THICK PCB
 -02: FOR 2.36 [.093] THICK PCB
*** = SEE TABLE 2 FOR AVAILABLE COMBINATIONS**
**** = NOT TOOLED**
***** = NOT RELEASED**

FIG. 1
MPSC-01-80-01-7.70-01-X-V SHOWN

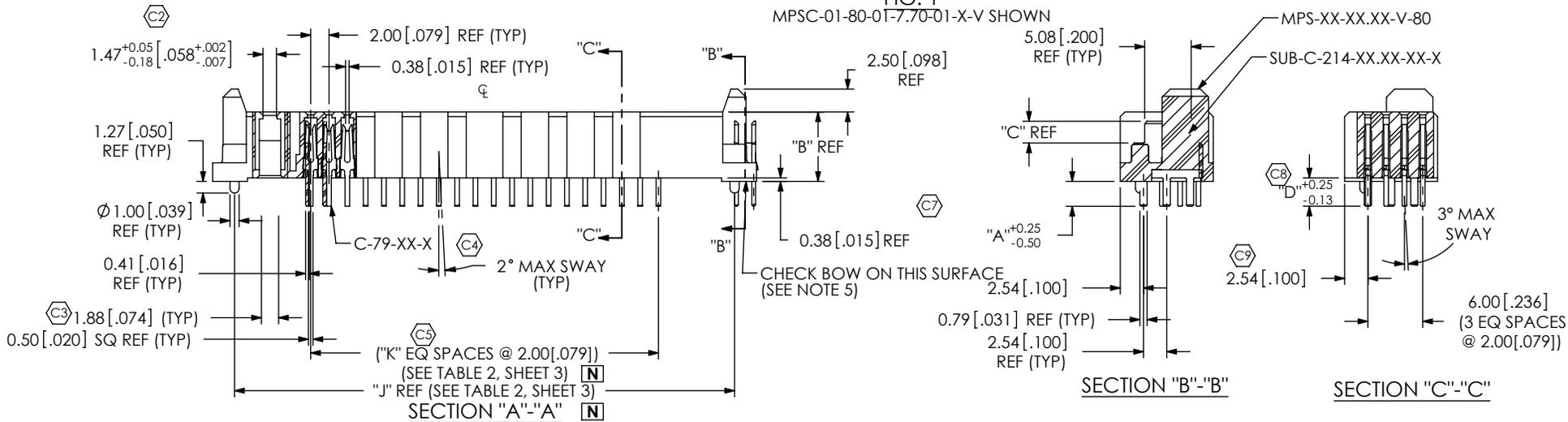


TABLE 1

PART NUMBER	BODY	POWER CONTACT SUB-ASSEMBLY	SIGNAL CONTACT	"A"	"B"	"C"	"D"	STACK HEIGHT
								MPSC-6.30-X-V-XX
MPSC-XX-XX-XX-7.70-01-X-V-XX	MPS-XX-07.70-V-XX-XX	SUB-C-214-07.70-01-X	C-79-07-L	2.72 [0.107]	7.58 [0.298]	2.37 [0.094]	3.09 [0.122]	14mm
MPSC-XX-XX-XX-7.70-02-X-V-XX	MPS-XX-07.70-V-XX-XX	SUB-C-214-07.70-03-X	C-79-20-L	3.52 [0.139]			3.89 [0.153]	
** MPSC-XX-XX-XX-9.70-01-X-V-XX	MPS-XX-09.70-V-XX-XX	SUB-C-214-09.70-01-X	C-79-53-L	2.72 [0.107]	9.58 [0.377]	4.37 [0.172]	2.789 [0.110]	16mm
** MPSC-XX-XX-XX-9.70-02-X-V-XX	MPS-XX-09.70-V-XX-XX	SUB-C-214-09.70-03-X	C-79-20-L	3.52 [0.139]			3.89 [0.153]	

** = NOT TOOLED

NOTES:

- ⊙ REPRESENTS A CRITICAL DIMENSION.
- BURR ALLOWANCE: 0.038 [.0015] MAX.
- MINIMUM PUSHOUT FORCE: 4.45 N [1.0 LB].
- PARTS TO BE PACKAGED IN TRAYS.
- BOW ALLOWED AT .05 MM/MM [.002 IN/IN].
- MINIMUM SIGNAL CONTACT & -LC PULLOUT FORCE: 4.45 N [1.0 LB]
- PARTS TO BE PACKAGED IN TRAYS.

UNLESS OTHERWISE SPECIFIED, DIMENSIONS ARE IN MILLIMETERS. TOLERANCES ARE:
 DECIMALS ANGLES
 X.X: ±0.3 [.01]
 X.XX: ±0.13 [.005]
 X.XXX: ±0.051 [.0020]

PROPRIETARY NOTE

THIS DOCUMENT CONTAINS INFORMATION CONFIDENTIAL AND PROPRIETARY TO SAMTEC, INC. AND SHALL NOT BE REPRODUCED OR TRANSFERRED TO OTHER DOCUMENTS OR DISCLOSED TO OTHERS OR USED FOR ANY PURPOSE OTHER THAN THAT WHICH IT WAS OBTAINED WITHOUT THE EXPRESSED WRITTEN CONSENT OF SAMTEC, INC.



520 PARK EAST BLVD, NEW ALBANY, IN 47150
 PHONE: 812-944-6733 FAX: 812-948-5047
 e-Mail: info@SAMTEC.com code: 55322

MATERIAL: DO NOT SCALE DRAWING
 INSULATOR: LCP, COLOR: BLACK
 POWER CONTACT: COPPER ALLOY
 SIGNAL CONTACT: PHOS BRONZE

SHEET SCALE: 1:5:1

DESCRIPTION:
 VERTICAL MINI-POWER W/ SIGNAL SOCKET

DWG. NO.
 MPSC-XX-XX-XX-X.XX-XX-X-V-XX

BY: BRATCHER 2/16/2007 SHEET 1 OF 3

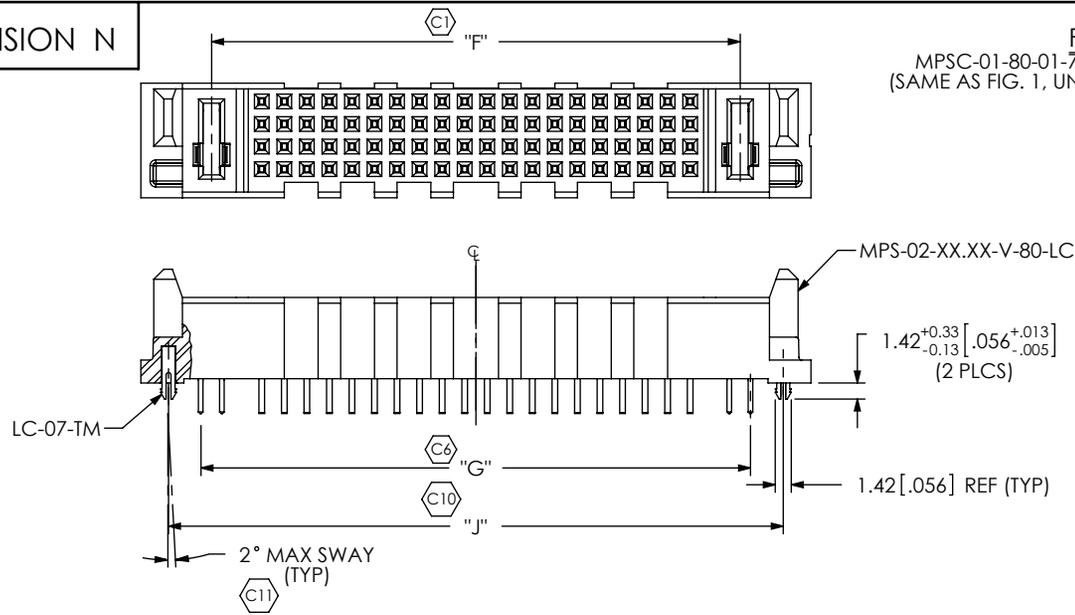
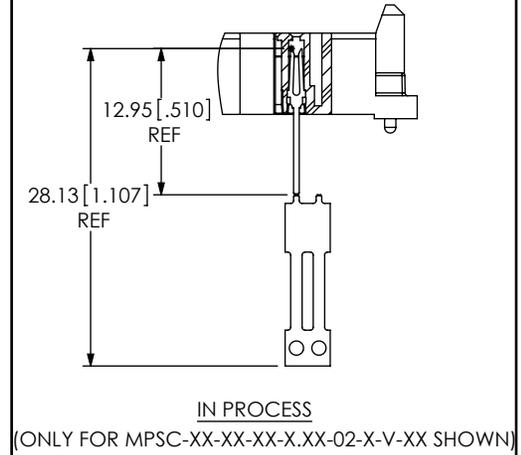


FIG. 2
MPS-01-80-01-7.70-0T-X-V-LC SHOWN
(SAME AS FIG. 1, UNLESS OTHERWISE STATED)



IN PROCESS
(ONLY FOR MPSC-XX-XX-XX-X.XX-02-X-V-XX SHOWN)

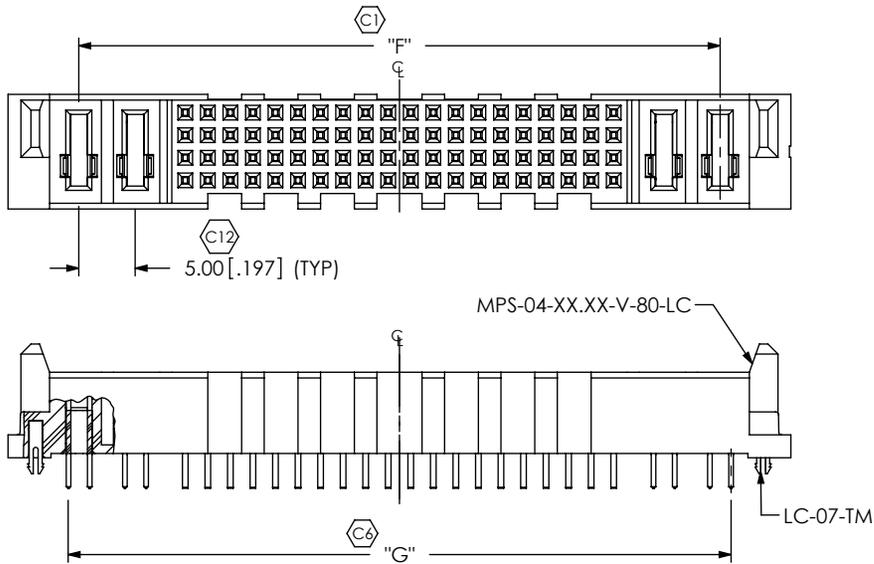
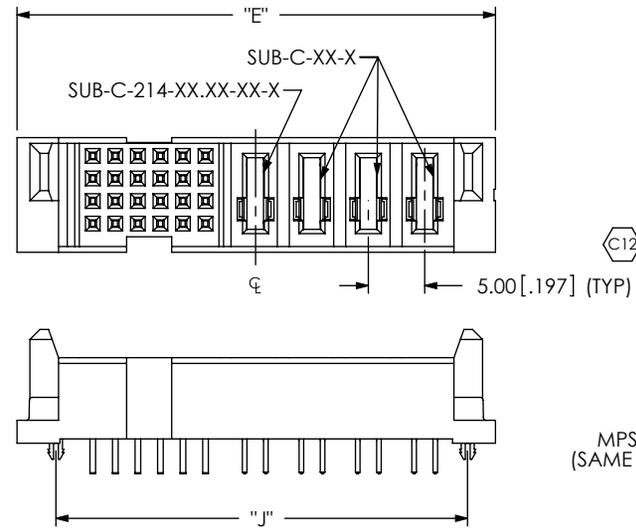


FIG. 3
MPS-04-XX.XX-V-80-LC SHOWN
(SAME AS FIG. 1, UNLESS OTHERWISE STATED)



**FIG. 4
MPS-00-24-01-7.70-0T-X-V-LC SHOWN
(SAME AS FIG. 1, UNLESS OTHERWISE STATED)

***NOT RELEASED FOR PRODUCTION

TABLE 3				
PLATING	POWER PIN CONNECTOR	POWER PIN TAIL	SIGNAL PIN CONTACT AREA	SIGNAL PIN TAIL
-L	LIGHT GOLD	MATTE TIN	LIGHT GOLD	MATTE TIN
-T	MATTE TIN	MATTE TIN	LIGHT GOLD	MATTE TIN

PROPRIETARY NOTE
THIS DOCUMENT CONTAINS INFORMATION
CONFIDENTIAL AND PROPRIETARY TO
SAMTEC, INC. AND SHALL NOT BE REPRODUCED
OR TRANSFERRED TO OTHER DOCUMENTS OR
DISCLOSED TO OTHERS OR USED FOR ANY
PURPOSE OTHER THAN THAT WHICH IT WAS
OBTAINED WITHOUT THE EXPRESSED WRITTEN
CONSENT OF SAMTEC, INC.

DO NOT SCALE DRAWING

SHEET SCALE: 1.75:1



520 PARK EAST BLVD, NEW ALBANY, IN 47150
PHONE: 812-944-6733 FAX: 812-948-5047
e-Mail: info@SAMTEC.com code: 55322

DESCRIPTION:
VERTICAL MINI-POWER W/ SIGNAL SOCKET

DWG. NO.
MPSC-XX-XX-XX-X.XX-XX-X-V-XX

BY: BRATCHER 2/16/2007 SHEET 2 OF 3

TABLE 2

PART NUMBER	BODY	"E"		"F"		"G"		"J"		"K"
MPSC-01-80-X1-X XX-XX-X-V-XX	MPS-02-XX XX-V-80-XX	59.44	[2.340]	46.89	[1.846]	48.77	[1.920]	54.52	[2.146]	19
MPSC-02-80-X2-X XX-XX-X-V-XX	MPS-04-XX XX-V-80-XX	69.44	[2.734]	56.89	[2.240]	58.77	[2.314]	64.52	[2.540]	19
MPSC-01-48-X1-X XX-XX-X-V-XX	MPS-02-XX XX-V-48-XX	43.44	[1.710]	30.89	[1.216]	32.77	[1.290]	38.52	[1.517]	11
MPSC-02-48-X2-X XX-XX-X-V-XX	MPS-04-XX XX-V-48-XX	53.44	[2.104]	40.89	[1.610]	42.77	[1.684]	48.52	[1.910]	11
MPSC-01-36-X1-X XX-XX-X-V-XX	MPS-02-XX XX-V-36-XX	37.44	[1.474]	24.89	[0.980]	26.77	[1.054]	32.52	[1.280]	8
MPSC-02-36-X2-X XX-XX-X-V-XX	MPS-04-XX XX-V-36-XX	47.44	[1.868]	34.89	[1.374]	36.77	[1.448]	42.52	[1.674]	8
MPSC-01-24-X1-X XX-XX-X-V-XX	MPS-02-XX XX-V-24-XX	31.44	[1.238]	18.89	[0.744]	20.77	[0.818]	26.52	[1.044]	5
MPSC-02-24-X2-X XX-XX-X-V-XX	MPS-04-XX XX-V-24-XX	41.44	[1.631]	28.89	[1.137]	30.77	[1.211]	36.52	[1.438]	5
MPSC-01-20-X1-X XX-XX-X-V-XX	MPS-02-XX XX-V-20-XX	29.44	[1.159]	16.89	[0.665]	18.77	[0.739]	24.52	[0.965]	4
MPSC-02-20-X2-X XX-XX-X-V-XX	MPS-04-XX XX-V-20-XX	39.44	[1.553]	26.89	[1.059]	28.77	[1.133]	34.52	[1.359]	4
MPSC-01-16-X1-X XX-XX-X-V-XX	MPS-02-XX XX-V-16-XX	27.44	[1.080]	14.89	[0.586]	16.77	[0.660]	22.52	[0.887]	3
MPSC-02-16-X2-X XX-XX-X-V-XX	MPS-04-XX XX-V-16-XX	37.44	[1.474]	24.89	[0.980]	26.77	[1.054]	32.52	[1.280]	3
MPSC-01-12-X1-X XX-XX-X-V-XX	MPS-02-XX XX-V-12-XX	25.44	[1.002]	12.89	[0.507]	14.77	[0.581]	20.52	[0.808]	2
MPSC-02-12-X2-X XX-XX-X-V-XX	MPS-04-XX XX-V-12-XX	35.44	[1.395]	22.89	[0.901]	24.77	[0.975]	30.52	[1.202]	2
MPSC-01-08-X1-X XX-XX-X-V-XX	MPS-02-XX XX-V-08-XX	23.44	[0.923]	10.89	[0.429]	12.77	[0.503]	18.52	[0.729]	1
MPSC-02-08-X2-X XX-XX-X-V-XX	MPS-04-XX XX-V-08-XX	33.44	[1.317]	20.89	[0.822]	22.77	[0.896]	28.52	[1.123]	1
MPSC-01-04-X1-X XX-XX-X-V-XX	MPS-02-XX XX-V-04-XX	21.44	[0.844]	8.89	[0.350]	10.77	[0.424]	16.52	[0.650]	N/A
MPSC-02-04-X2-X XX-XX-X-V-XX	MPS-04-XX XX-V-04-XX	31.44	[1.238]	18.89	[0.744]	20.77	[0.818]	26.52	[1.044]	N/A
MPSC-00-24-X3-X XX-XX-X-V-XX	MPS-03-XX XX-V-24-XX-PS	37.44	[1.474]	N/A	N/A	N/A	N/A	32.52	[1.280]	5
MPSC-00-24-X4-X XX-XX-X-V-XX	MPS-04-XX XX-V-24-XX-PS	42.44	[1.671]	N/A	N/A	N/A	N/A	37.52	[1.477]	5
MPSC-00-20-X3-X XX-XX-X-V-XX	MPS-03-XX XX-V-20-XX-PS	35.44	[1.395]	N/A	N/A	N/A	N/A	30.52	[1.202]	4
MPSC-00-20-X4-X XX-XX-X-V-XX	MPS-04-XX XX-V-20-XX-PS	40.44	[1.592]	N/A	N/A	N/A	N/A	35.52	[1.398]	4
MPSC-00-16-X3-X XX-XX-X-V-XX	MPS-03-XX XX-V-16-XX-PS	33.44	[1.317]	N/A	N/A	N/A	N/A	28.52	[1.123]	3
MPSC-00-16-X4-X XX-XX-X-V-XX	MPS-04-XX XX-V-16-XX-PS	38.44	[1.513]	N/A	N/A	N/A	N/A	33.52	[1.320]	3
MPSC-00-12-X3-X XX-XX-X-V-XX	MPS-03-XX XX-V-12-XX-PS	31.44	[1.238]	N/A	N/A	N/A	N/A	26.52	[1.044]	2
MPSC-00-12-X4-X XX-XX-X-V-XX	MPS-04-XX XX-V-12-XX-PS	36.44	[1.435]	N/A	N/A	N/A	N/A	31.52	[1.241]	2

PROPRIETARY NOTE
 THIS DOCUMENT CONTAINS INFORMATION
 CONFIDENTIAL AND PROPRIETARY TO
 SAMTEC, INC. AND SHALL NOT BE REPRODUCED
 OR TRANSFERRED TO OTHER DOCUMENTS OR
 DISCLOSED TO OTHERS OR USED FOR ANY
 PURPOSE OTHER THAN THAT WHICH IT WAS
 OBTAINED WITHOUT THE EXPRESSED WRITTEN
 CONSENT OF SAMTEC, INC.

DO NOT SCALE DRAWING

SHEET SCALE: 1.75:1



520 PARK EAST BLVD, NEW ALBANY, IN 47150
 PHONE: 812-944-6733 FAX: 812-948-5047
 e-Mail: info@SAMTEC.com code: 55322

DESCRIPTION:
 VERTICAL MINI-POWER W/ SIGNAL SOCKET
 DWG. NO.
 MPSC-XX-XX-XX-X.XX-XX-X-V-XX