

PN5331B3HN

Near Field Communication (NFC) controller

Rev. 01 - 31 December 2008
158231

Product short data sheet
PUBLIC

1. General description

The PN5331B3HN is a highly integrated transceiver module for contactless communication at 13.56 MHz based on the 80C51 microcontroller core.

A dedicated ROM code is implemented to handle different RF protocols.

RF protocols

PN5331B3HN supports four main operating modes:

- ISO/IEC 14443A Reader/Writer (incl. MIFARE product family)
- ISO/IEC 14443B Reader/Writer
- FeliCa Reader/Writer
- ISO/IEC 18092, ECMA 340 Peer-to-Peer

The PN5331B3HN hardware implements a demodulator and decoder for signals from ISO/IEC 14443A compatible cards and transponders. The PN5331B3HN hardware handles the complete ISO/IEC 14443A framing and error detection and upper layers of this protocol (i.e. ISO/IEC 14443-4) are implemented in firmware.

The PN5331B3HN supports all MIFARE products (e.g. MIFARE crypto method). It supports contactless communication using higher transfer speeds up to 848 kbit/s in both directions.

The PN5331B3HN hardware supports layers 2 and 3 of the ISO/IEC 14443B Reader/Writer communication scheme, except anticollision. Anticollision is implemented in firmware as well as upper layers (i.e. ISO/IEC 14443-4).

The PN5331B3HN can demodulate and decode FeliCa coded signals. The PN5331B3HN handles the FeliCa framing and error detection. It supports contactless communication using FeliCa Higher transfer speeds up to 424 kbit/s in both directions.

Compliant to ECMA 340 and ISO/IEC 18092 NFCIP-1 Passive and Active communication modes, the PN5331B3HN/C270 offers the possibility to communicate to another NFCIP-1 compliant device, at transfer speeds up to 424 kbit/s. The PN5331B3HN handles the complete NFCIP-1 framing and error detection.

Interfaces

The PN5331B3HN supports USB 2.0 full speed interface (bus powered or host powered mode).

PN5331B3HN has also a master I²C interface enabling the drive of following peripherals:

- An external EEPROM
- A TDA8029 smart card reader

Standards compliancy

PN5331B3HN offers commands in order for applications to be compliant with “Paypass-ISO/IEC 14443 Implementation v1.1” and “EMV Contactless Communication Protocol Specification v2.0”.

PN5331B3HN supports RF protocols ISO/IEC 14443A and B such as compliancy with Smart eID standard can be achieved at application level.

A dedicated command is implemented in PN5331B3HN firmware to support NFC secure applications in accordance with “NFC sec Security layer for NFC” specification in order to enable USB wireless or BT enabler applications in a host baseband.

2. Features

- 80C51 microcontroller core with 45056 bytes ROM and 1224 bytes RAM
- Highly integrated demodulator and decoder
- Buffered output drivers to connect an antenna with minimum number of external components
- Integrated RF level detector
- Integrated data mode detector
- Supports ISO/IEC 14443A Reader/Writer mode up to 848 kbit/s
- Supports ISO/IEC 14443B Reader/Writer mode up to 848 kbit/s
- Supports MIFARE encryption in Reader/Writer mode and higher transfer speed communication at 212 kbit/s, 424 kbit/s and 848kbit/s
- Supports contactless communication according to the FeliCa protocol at 212 kbit/s and 424 kbit/s
- Typical operating distance in Reader/Writer mode for communication to ISO/IEC 14443A/MIFARE, ISO/IEC 14443B or FeliCa cards up to 50 mm depending on antenna size and tuning
- Support NFCIP-1 mode up to 424 kbit/s
- Typical operating distance in NFCIP-1 mode up to 50 mm depending on antenna size, tuning and power supply
- Supported USB 2.0 full speed interface
- Restricted I²C master interface to control an external I²C EEPROM or TDA8029 smart card reader
- Low power modes
 - ◆ Hard-Power-Down mode
 - ◆ Soft-Power-Down mode
- 27.12 MHz Crystal oscillator
- On-Chip PLL to generate internally 96 MHz for the USB interface
- Power modes
 - ◆ USB bus power mode
 - ◆ 2.5 V to 3.6 V power supply operating range in non USB bus power mode
- Dedicated IO ports for external device control

3. Quick reference data

Table 1. Quick reference data

Symbol	Parameter	Conditions	Min	Typ	Max	Unit
V_{BUS}	USB supply voltage (USB mode)		4.02	5	5.25	V
	supply voltage (non USB mode)	$V_{BUS} = DV_{DD}$ $DV_{SS} = 0\text{ V}$	2.5	3.3	3.6	V
TV_{DD} , AV_{DD} , DV_{DD}	supply voltage	$TV_{DD} = AV_{DD} = DV_{DD}$ $V_{SS} = 0\text{ V}$	[1] 2.5	3.3	3.6	V
PV_{DD}	supply voltage for host interface	$V_{SS} = 0\text{ V}$	1.6	-	3.6	V
SV_{DD}	supply voltage reserved for future use	$V_{SS} = 0\text{ V}$	$DV_{DD} - 0.1$	-	DV_{DD}	V
I_{VBUS}	maximum load current (USB mode)	measured on V_{BUS}	-	-	150	mA
	maximum inrush current limitation	at power up (curlimoff = 0)	-	-	100	mA
I_{HPD}	hard-power-down current (not powered from USB)	$AV_{DD} = DV_{DD} = TV_{DD} = PV_{DD} = 3\text{ V}$, RF level detector off	-	-	10	μA
I_{SPD}	soft-power-down current (not powered from USB)	$AV_{DD} = DV_{DD} = TV_{DD} = PV_{DD} = 3\text{ V}$, RF level detector on	-	-	30	μA
$I_{suspend}$	USB suspend current	$AV_{DD} = DV_{DD} = TV_{DD} = PV_{DD} = 3\text{ V}$, RF level detector on, (without resistor on DP/DM)	-	-	250	μA
I_{DVDD}	digital supply current	$AV_{DD} = DV_{DD} = TV_{DD} = PV_{DD} = 3\text{ V}$, RF level detector on, SV_{DD} switch off	[1] -	15	-	mA
I_{SVDD}	SV_{DD} load current	$SV_{DD} = 3\text{ V}$	-	-	30	mA
I_{AVDD}	analog supply current	$AV_{DD} = DV_{DD} = TV_{DD} = PV_{DD} = 3\text{ V}$, RF level detector on	-	6	-	mA
I_{TVDD}	transmitter supply current	during RF transmission, $TV_{DD} = 3\text{ V}$	-	60	100	mA
P_{tot}	total power dissipation	$T_{amb} = -30\text{ to }+85\text{ }^{\circ}\text{C}$	-	-	0.55	W
T_{amb}	ambient temperature		-30	-	+85	$^{\circ}\text{C}$

[1] DV_{DD} , AV_{DD} and TV_{DD} must always be at the same supply voltage.

4. Ordering information

Table 2. Ordering information

Type number	Package		Version
	Name	Description	
PN5331B3HN/C270 ^{[1][2]}	HVQFN40	Heatsink Very thin Quad Flat package; 40 pins, plastic, body 6 x 6 x 0.85 mm; leadless; MSL level 2.	SOT618-1

[1] 70 refers to the ROM code version described in User Manual.

[2] Refer to [Section 9.4 "Licenses"](#)

5. Block diagram

The following block diagram describes hardware blocks controlled by PN5331B3HN firmware or which can be accessible for data transaction by a host baseband.

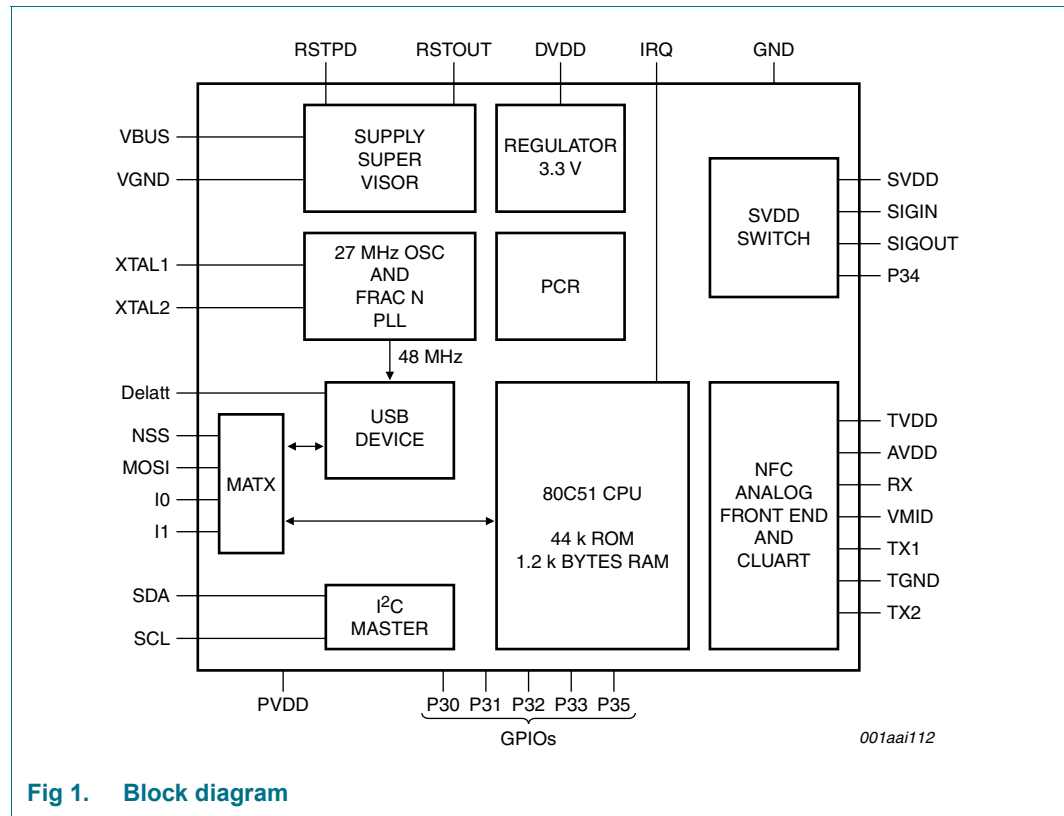


Fig 1. Block diagram

6. Limiting values

Table 3. Limiting values

In accordance with the Absolute Maximum Rating System (IEC 60134).

Symbol	Parameter	Conditions	Min	Max	Unit
PV _{DD} , SV _{DD} , TV _{DD} , AV _{DD} , DV _{DD}	supply voltage		-0.5	4	V
V _{BUS}	USB supply voltage		-0.5	5.5	V
P _{tot}	total power dissipation		-	500	mW
I _{SVDD}	maximum current in SVDD switch		-	30	mA
V _{INRX}	dynamic RX input voltage range		-0.5	4	V
V _{INTX1}	dynamic TX1 input voltage range		-0.5	4	V
V _{INTX2}	dynamic TX2 input voltage range		-0.5	4	V
V _{ESD}	electrostatic discharge voltage				
V _{ESDH}	ESD susceptibility (human body model)	1500 Ω, 100pF; EIA/JESD22-A114-A	-	±2.0	kV
V _{ESDM}	ESD susceptibility (machine model)	0.75 mH, 200 pF; EIA/JESD22-A115-A	-	200	V
V _{ESDC}	ESD susceptibility (charge device model)	field induced model; EIA/JESC22-C101-C	-	±1	kV
T _{stg}	storage temperature		-55	150	°C
T _j	junction temperature		-40	125	°C

7. Abbreviations

Table 4. Abbreviations

Acronym	Description
CRC	Cyclic Redundancy Check
EEPROM	Electrically Erasable Programmable Read-Only Memory
HPD	Hard Power Down
NFC	Near Field Communication
SPD	Soft Power Down mode

8. Revision history

Table 5. Revision history

Document ID	Release date	Data sheet status	Change notice	Supersedes
PN5331B3HN_SDS_N_1	20081231	Product short data sheet	-	-

9. Legal information

9.1 Data sheet status

Document status ^{[1][2]}	Product status ^[3]	Definition
Objective [short] data sheet	Development	This document contains data from the objective specification for product development.
Preliminary [short] data sheet	Qualification	This document contains data from the preliminary specification.
Product [short] data sheet	Production	This document contains the product specification.

[1] Please consult the most recently issued document before initiating or completing a design.

[2] The term 'short data sheet' is explained in section "Definitions".

[3] The product status of device(s) described in this document may have changed since this document was published and may differ in case of multiple devices. The latest product status information is available on the Internet at URL <http://www.nxp.com>.

9.2 Definitions

Draft — The document is a draft version only. The content is still under internal review and subject to formal approval, which may result in modifications or additions. NXP Semiconductors does not give any representations or warranties as to the accuracy or completeness of information included herein and shall have no liability for the consequences of use of such information.

Short data sheet — A short data sheet is an extract from a full data sheet with the same product type number(s) and title. A short data sheet is intended for quick reference only and should not be relied upon to contain detailed and full information. For detailed and full information see the relevant full data sheet, which is available on request via the local NXP Semiconductors sales office. In case of any inconsistency or conflict with the short data sheet, the full data sheet shall prevail.

9.3 Disclaimers

General — Information in this document is believed to be accurate and reliable. However, NXP Semiconductors does not give any representations or warranties, expressed or implied, as to the accuracy or completeness of such information and shall have no liability for the consequences of use of such information.

Right to make changes — NXP Semiconductors reserves the right to make changes to information published in this document, including without limitation specifications and product descriptions, at any time and without notice. This document supersedes and replaces all information supplied prior to the publication hereof.

Suitability for use — NXP Semiconductors products are not designed, authorized or warranted to be suitable for use in medical, military, aircraft, space or life support equipment, nor in applications where failure or malfunction of an NXP Semiconductors product can reasonably be expected to result in personal injury, death or severe property or environmental damage. NXP Semiconductors accepts no liability for inclusion and/or use of NXP Semiconductors products in such equipment or applications and therefore such inclusion and/or use is at the customer's own risk.

Applications — Applications that are described herein for any of these products are for illustrative purposes only. NXP Semiconductors makes no representation or warranty that such applications will be suitable for the specified use without further testing or modification.

Limiting values — Stress above one or more limiting values (as defined in the Absolute Maximum Ratings System of IEC 60134) may cause permanent damage to the device. Limiting values are stress ratings only and operation of the device at these or any other conditions above those given in the Characteristics sections of this document is not implied. Exposure to limiting values for extended periods may affect device reliability.

Terms and conditions of sale — NXP Semiconductors products are sold subject to the general terms and conditions of commercial sale, as published at <http://www.nxp.com/profile/terms>, including those pertaining to warranty, intellectual property rights infringement and limitation of liability, unless explicitly otherwise agreed to in writing by NXP Semiconductors. In case of any inconsistency or conflict between information in this document and such terms and conditions, the latter will prevail.

No offer to sell or license — Nothing in this document may be interpreted or construed as an offer to sell products that is open for acceptance or the grant, conveyance or implication of any license under any copyrights, patents or other industrial or intellectual property rights.

Quick reference data — The Quick reference data is an extract of the product data given in the Limiting values and Characteristics sections of this document, and as such is not complete, exhaustive or legally binding.

ESD protection devices — These products are only intended for protection against ElectroStatic Discharge (ESD) pulses and are not intended for any other usage including, without limitation, voltage regulation applications. NXP Semiconductors accepts no liability for use in such applications and therefore such use is at the customer's own risk.

9.4 Licenses

Purchase of NXP ICs with ISO/IEC 14443 type B functionality



This NXP Semiconductors IC is ISO/IEC 14443 Type B software enabled and is licensed under Innovatron's Contactless Card patents license for ISO/IEC 14443 B.

The license includes the right to use the IC in systems and/or end-user equipment.

RATP/Innovatron Technology

Purchase of NXP ICs with NFC technology

Purchase of an NXP Semiconductors IC that complies with one of the Near Field Communication (NFC) standards ISO/IEC 18092 and ISO/IEC 21481 does not convey an implied license under any patent right infringed by implementation of any of those standards. A license for the patents portfolio of NXP B.V. for the NFC standards needs to be obtained at Via Licensing, the pool agent of the NFC Patent Pool, e-mail: info@vialicensing.com.

9.5 Trademarks

Notice: All referenced brands, product names, service names and trademarks are the property of their respective owners.

MIFARE — is a trademark of NXP B.V.

I²C-bus — logo is a trademark of NXP B.V.

10. Contact information

For more information, please visit: <http://www.nxp.com>

For sales office addresses, please send an email to: salesaddresses@nxp.com

11. Tables

Table 1. Quick reference data	3	Table 4. Abbreviations	5
Table 2. Ordering information	4	Table 5. Revision history	6
Table 3. Limiting values	5		

12. Figures

Fig 1. Block diagram	4
--------------------------------	---

13. Contents

1	General description	1
2	Features	2
3	Quick reference data	3
4	Ordering information	4
5	Block diagram	4
6	Limiting values	5
7	Abbreviations	5
8	Revision history	6
9	Legal information	7
9.1	Data sheet status	7
9.2	Definitions	7
9.3	Disclaimers	7
9.4	Licenses	7
9.5	Trademarks	7
10	Contact information	8
11	Tables	9
12	Figures	9
13	Contents	9

Please be aware that important notices concerning this document and the product(s) described herein, have been included in section 'Legal information'.



© NXP B.V. 2009.

All rights reserved.

For more information, please visit: <http://www.nxp.com>

For sales office addresses, please send an email to: salesaddresses@nxp.com

Date of release: 4 March 2009

Document identifier: PN5331B3HN_SDS_N_1