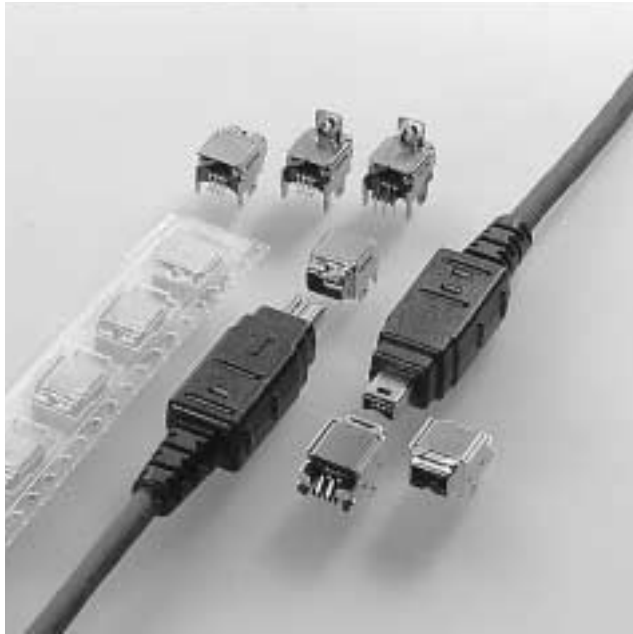
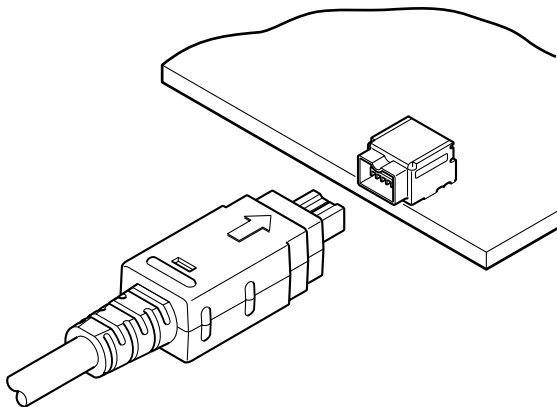


RV CONNECTOR

High-speed serial interface connectors



Conforming to the IEEE 1394 standards (4P), the RV connector is a high-speed serial interface connector designed for use in PCs and consumer electronic equipment.



Features

• Plug

Whilst designing the plug, specific consideration was given to the assembly process.

• A variety of receptacles are available

• Compact

Due to the fact that the RV connector is designed for external use, particular consideration has been given during design, to ensure that it is resistant to distortion during both insertion and removal. Though resistant, the normal type product is also particularly compact to ensure that PC board space is utilized most effectively.

Specifications

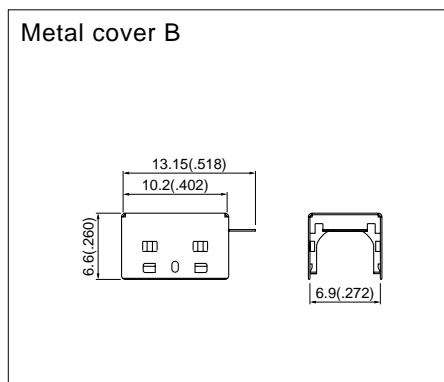
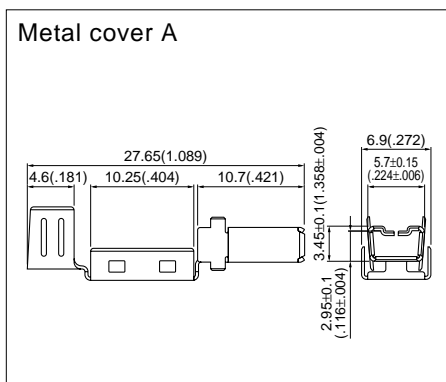
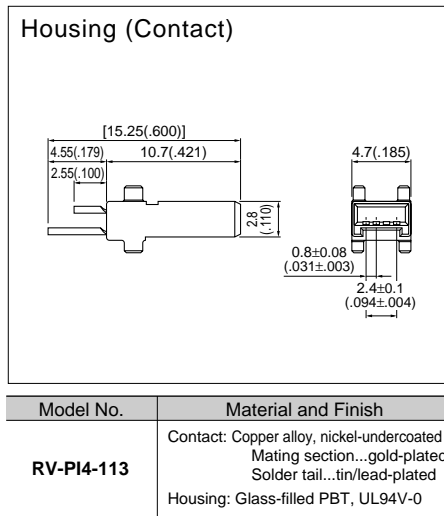
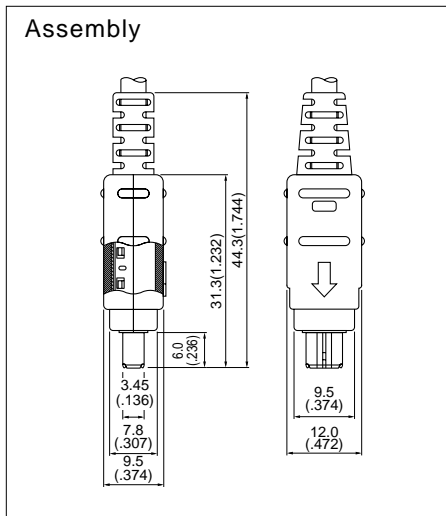
- Current rating: 0.3A AC, DC
 - Voltage rating: 30V AC, DC
 - Temperature range: -40°C to +85°C
(including temperature rise in applying electrical current)
 - Contact resistance: Initial value/50m max.
After environmental testing/max.
30m variation from initial value
 - Insulation resistance: 100M min.
 - Withstanding voltage: 100V AC/minute
 - Applicable wire (Plug): AWG #32 to #30
 - Applicable cable O.D. (Plug): 4.0 to 4.3mm (.157" to .169")
 - Applicable PC board thickness: 0.8 to 1.6mm (.031" to .063")
- Contact JST for details.

Standards

 Recognized E60389

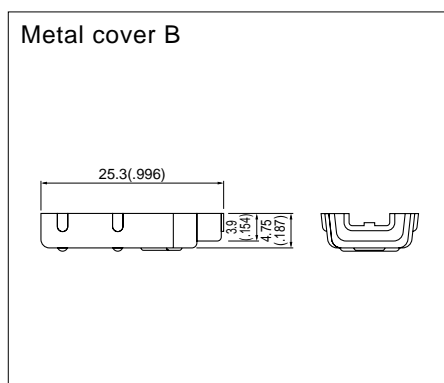
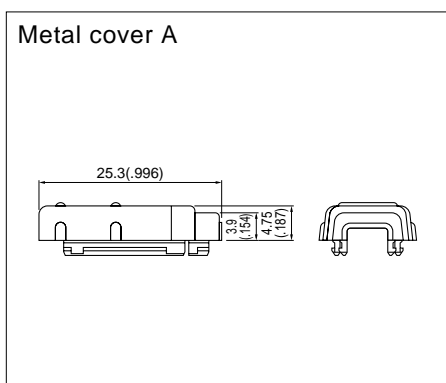
 Certified LR20812

Plug type



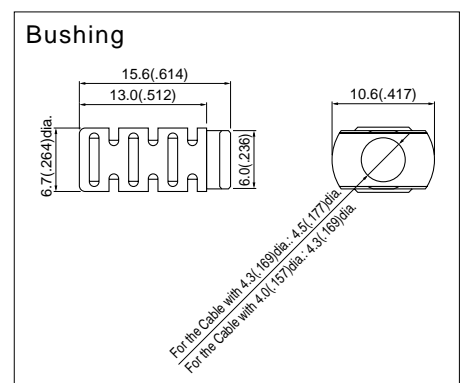
Model No.	Material
RV-PMCA4-381-4	Copper alloy, copper-undercoated, nickel-plated

Model No.	Material
RV-PMCB4-7	Stainless Steel



Model No.	Material
RV-PCHA4-1()-4	Glass-filled PC, UL94V-0

Model No.	Material
RV-PCHB4-1()-4	Glass-filled PC, UL94V-0



Model No.	Material
RV-PB-()1K	PVC, UL94V-0

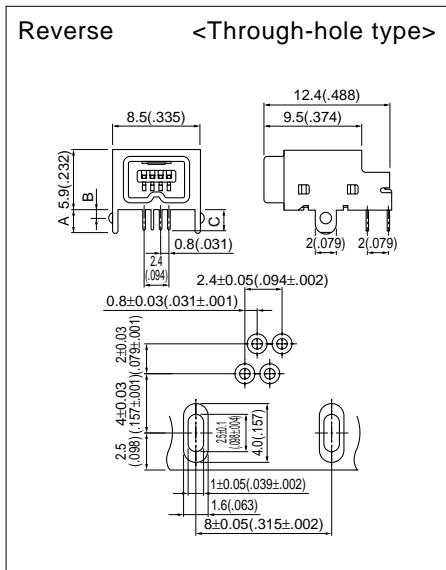
(): K...Black, H...Gray, SC...Clear

(): K...Black, H...Gray, SC...Clear

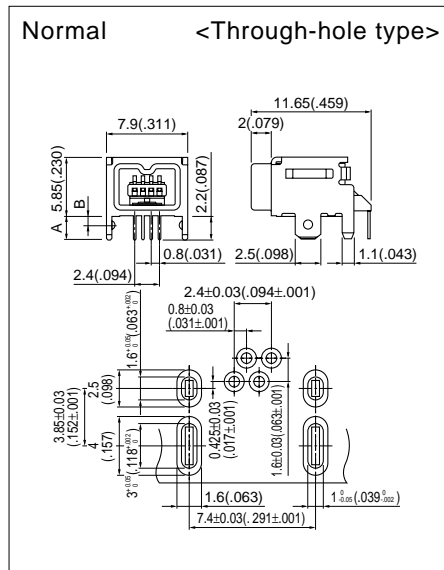
(): 40...For 4.0(.157)dia., 43...For 4.3(.169)dia.

RV CONNECTOR

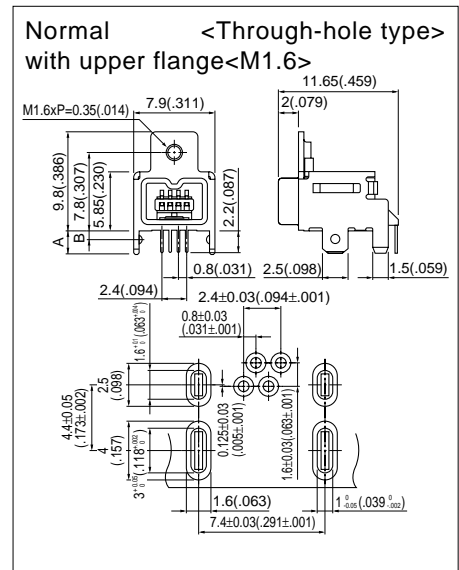
Receptacle



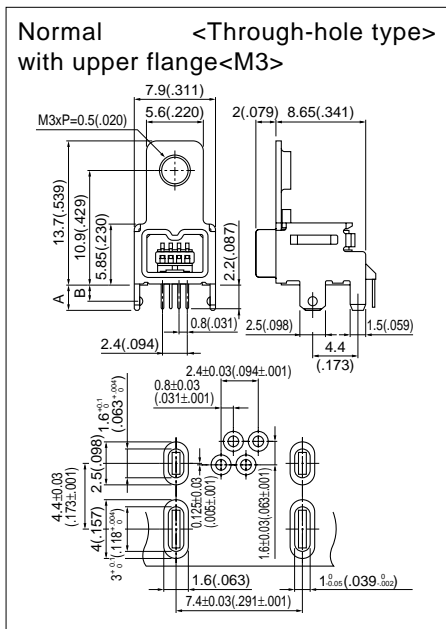
Model No.	Material and Finish
RV-SS4D-R-A ()	Housing: PBT, UL94V-0
	Contact: Copper alloy, Mating section...gold-plated Solder tail...tin/lead-plated
	Shell cover: Copper alloy, copper-undercoated, nickel-plated
	Shell: Mild steel, copper-undercoated, tin/lead-plated



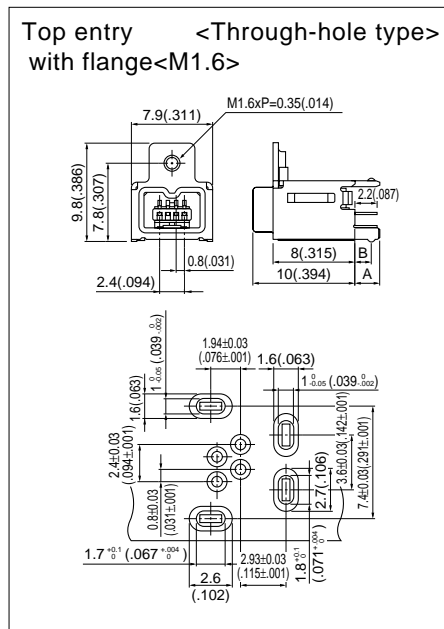
Model No.	Material and Finish
RV-SS4D-N-B ()	Housing: PPS, UL94V-0
	Contact: Copper alloy, Mating section...gold-plated Solder tail...tin/lead-plated
	Shell cover: Copper alloy, copper-undercoated, nickel-plated
	Shell: Mild steel, copper-undercoated, tin/lead-plated



Model No.	Material and Finish
RV-SS4D-F16N-C ()	Housing: PPS, UL94V-0
	Contact: Copper alloy, Mating section...gold-plated Solder tail...tin/lead-plated
	Shell cover: Copper alloy, copper-undercoated, nickel-plated
	Shell: Mild steel, copper-undercoated, tin/lead alloy plated



Model No.	Material and Finish
RV-SS4D-F30N-E ()	Housing: PPS, UL94V-0
	Contact: Copper alloy, Mating section...gold-plated Solder tail...tin/lead-plated
	Shell cover: Copper alloy, copper-undercoated, nickel-plated
	Shell: Mild steel, copper-undercoated, tin/lead-plated

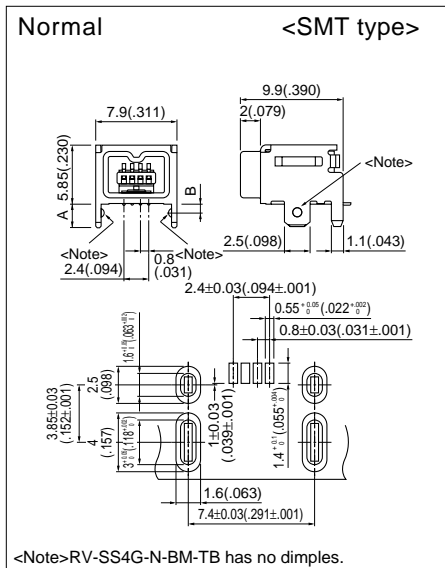


Model No.	Material and Finish
RV-ST4D-F16N-D ()	Housing: PPS, UL94V-0
	Contact: Copper alloy, Mating section...gold-plated Solder tail...tin/lead-plated
	Shell cover: Copper alloy, copper-undercoated, nickel-plated
	Shell: Mild steel, copper-undercoated, tin/nickel alloy plated

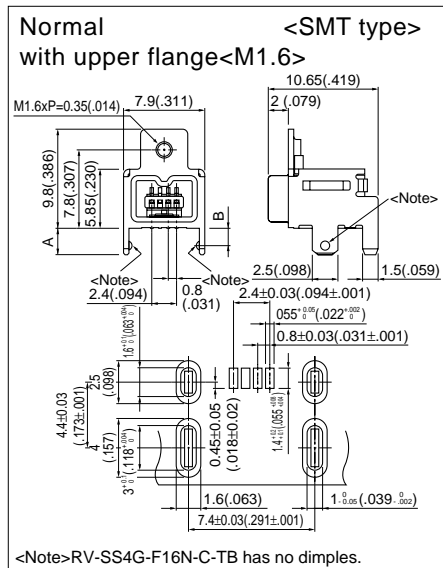
Type	Applicable PC board thickness mm(in.)	Dimensions mm(in.)		
		A	B	C
Normal type	0.8(.031)	2.15(.085)	0.8(.031)	-
	1.6(.063)	2.45(.096)	1.6(.063)	-
Reverse type	0.8(.031)	2.3(.091)	0.8(.031)	2.0(.079)
	1.6(.063)	3.1(.122)	1.6(.063)	2.8(.110)

Note: 1. Receptacles are not UL/CSA approved.
 2. Model No. : () denotes the applicable PC board thickness.
 08 ... For 0.8mm(.031") thick PC board
 16 ... For 1.6mm(.063") thick PC board

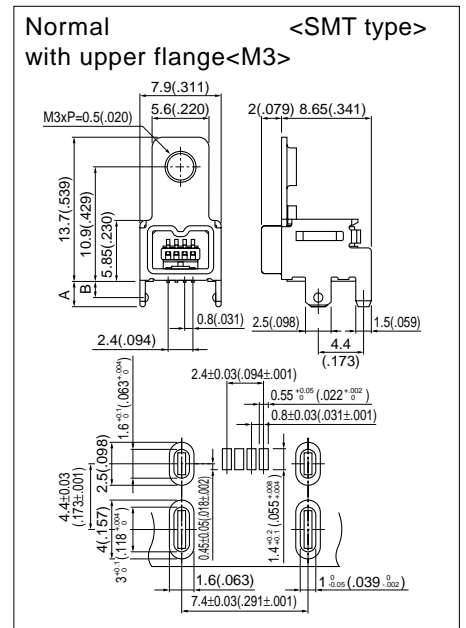
Receptacle



Model No.	Material and Finish	
Supplied on embossed tape RV-SS4G-N-BM-TB	Housing	PPS, UL94V-0
	Contact	Copper alloy, Mating section...gold-plated Solder tail...tin/lead-plated
Supplied in tray RV-SS4G-N-B()	Shell cover	Copper alloy, copper-undercoated, nickel-plated
	Shell	Mild steel, copper-undercoated, tin/nickel alloy plated



Model No.	Material and Finish	
Supplied on embossed tape RV-SS4G-F16N-C-TB	Housing	PPS, UL94V-0
	Contact	Copper alloy, Mating section...gold-plated Solder tail...tin/lead-plated
Supplied in tray RV-SS4G-F16N-C()	Shell cover	Copper alloy, copper-undercoated, nickel-plated
	Shell	Mild steel, copper-undercoated, tin/nickel alloy plated



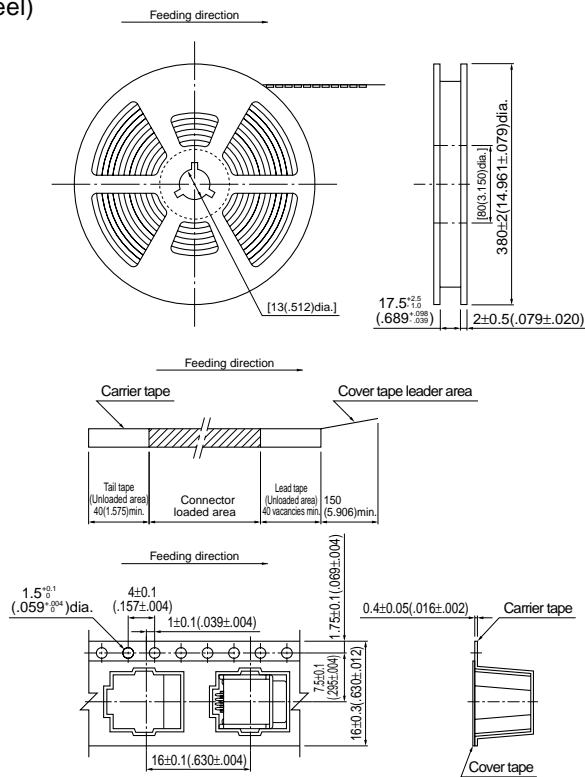
Model No.	Material and Finish	
RV-SS4G-F30N-E()	Housing	PPS, UL94V-0
	Contact	Copper alloy, Mating section...gold-plated Solder tail...tin/lead-plated
	Shell cover	Copper alloy, copper-undercoated, nickel-plated
	Shell	Mild steel, copper-undercoated, tin/nickel alloy plated

- Note: 1. Receptacles are not UL/CSA approved.
 2. Model No. : () denotes the applicable PC board thickness.
 08 ... For 0.8mm(.031") thick PC board
 16 ... For 1.6mm(.063") thick PC board
 3. As for the dimensions A & B, refer to the chart in the previous page.

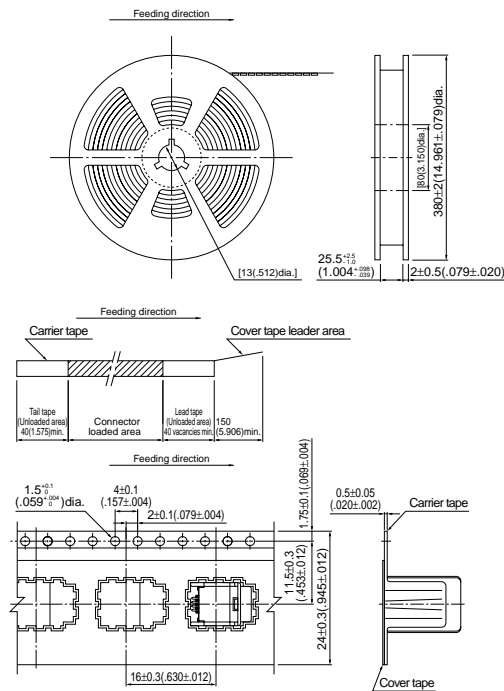
RV CONNECTOR

Taping Specifications

RV-SS4G-N-BM-TB (600 pcs. / reel)



RV-SS4G-F16N-C-TB (400 pcs. / reel)



Note: 1. Specifications conform to JIS C0806. The tape width, connector loading recess square hole dimensions, etc. are determined by the number of circuits and external shape of the connector to be loaded.

2. Specifications are subject to change without prior notice.