



Point-of-Load Switching Regulator
4.5Vdc - 12Vdc Input, 1.21Vdc - 5.0Vdc Output, 5.5A
(Preliminary)

FEATURES

- Input Range 4.5V to 12V
- Rad-Tolerant to 100Krad (TID)¹
- Adjustable or Fixed Output Voltage
- Up to 5.5A Output Current
- Fully Integrated assembly includes Inductor
- Remote-Sense operation
- Under-Voltage Lockout
- Internal Soft Start
- Current Limiting
- Efficiencies up to 85%
- 120W/in³ Power Density

PRELIMINARY

DESCRIPTION

The SAT8564 is a non-isolated PowerPac module for high reliability and full military distributed power, point of load applications. Fully integrated, the SAT8564 includes buck controller, inductor, and input/output capacitors integrated in a single package. The SAT8564 operates from an input voltage of +4.5V to +12V providing step down power conversion to output voltages as low as 1.21V. Operating features include output voltage adjust, output current limit, shutdown, external synchronization, soft start and under voltage lockout. The SAT8564 can also be set up in a parallel configuration to increase output current capability.

Careful design and layout ensure excellent stability, transient response, and low noise operation. Packaged in a compact 16-lead flat-pack the SAT8564 is manufactured in a facility certified to MIL-PRF-38534, class H & K and operates over the full -55°C to +125°C temperature range.

ABSOLUTE MAXIMUM RATINGS

(Exceeding maximum ratings may damage the device)

Table.1

Symbol	Parameter	Value	unit
Vin	DC input Voltage Vin-Vground	12	V
Io	Output Current	6	A
Pd	Power Dissipation Tcase=25deg.C	20	W
Rthjc	Thermal Resistance, Junction to Case	5.0	°C/W
Tstg	Storage Temperature	-65 to +150	°C
Tj	Operating Temperature Range	-55 to +125	°C
Tsold	Maximum Soldering Temperature, 10sec	300	°C

ELECTRICAL CHARACTERISTICS @ Ta=-55deg.C to +125deg.C
(Unless Otherwise Specified)

Table 2. Pre-Radiation

Symbol	Parameter	Test Conditions	Value			Units
			Min	Typ	Max	
Vout	Output Voltage accuracy	Vin=5.0V, Iout=3.0A		2.0		%
Kvi	Line Regulation	+4.5V ≤ Vin ≤ +6.0V, Iout = 4A		0.1		%
Kvo	Load regulation	Vin = 5V, 1A ≤ Iout ≤ 4A		2.0		%
Vin	Input Voltage Range	Iout=2.5A	4.5		12	V
Fsync	Synchronizing Range		580		1000	KHz
Vsync	Sync input voltage, (note 4)			1.5	2.2	V
Isc	Short-circuit current Limit	Vin=5.0V,		6.0		A
	Ripple Rejection	F=120Hz, Iout=50mA	55			dB
Ishdn	Shutdown Source Current	Vshdn=5.0V			75	uA
Vshdn	Shutdown Input Voltage (Note 2,3)	Vin=5.0, Vout < 0.5V	0.4			V

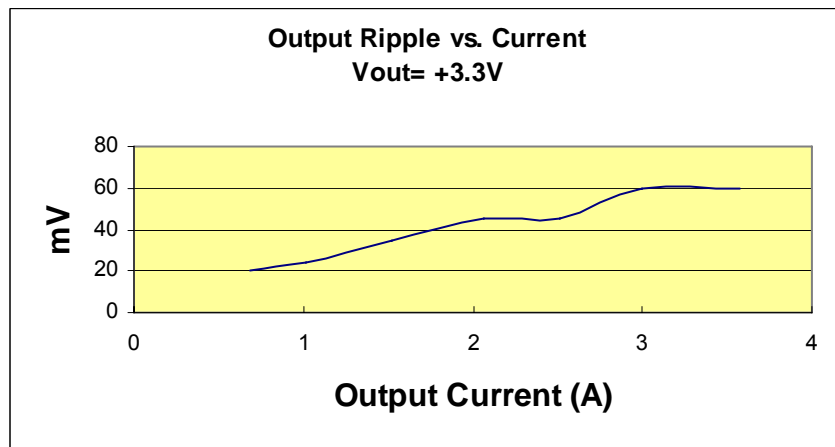
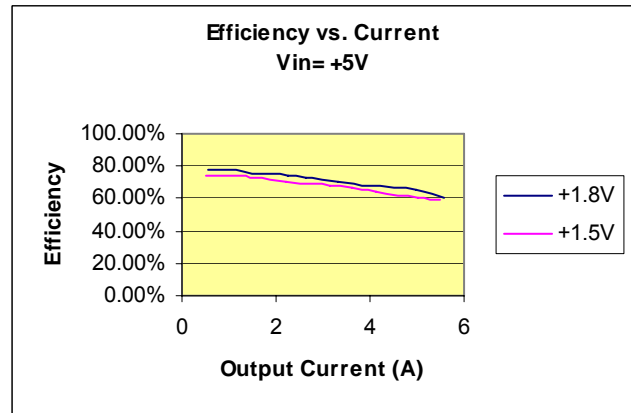
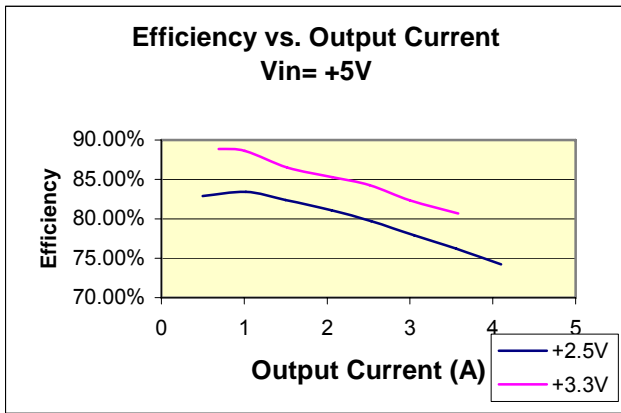
Table 3. Post-Radiation (Projected)

Symbol	Parameter	Test Conditions	Value			Units
			Min	Typ	Max	
Vout	Output Voltage Accuracy	Vin=5.0V, Iout=3.0A		4.0		%
Kvi	Line Regulation	+4.5V ≤ Vin ≤ +6.0V, Iout = 4A		0.2		%
Kvo	Load regulation	Vin = 5V, 1A ≤ Iout ≤ 4A		3.0		%
Isc	Short Current Limit	Vin=5.0V, Over current Latch Up		6.0		A
Ishdn	Shutdown Source Current	Vshdn=5.0V			75	uA
Vshdn	Shutdown Input Voltage (Note 2,3)	Vin=5.0, Vout < 0.5V;	0.4			V

Notes:

1. At this time, SatCon does NOT have a DSCC approved Radiation Program
2. Output Inhibit guaranteed @ Vshdn < 0.4V.
3. Shutdown input should be pulled up to Vin when not used.
4. Synch input should be grounded when not in use

Typical Performance Characteristics



Application Circuits

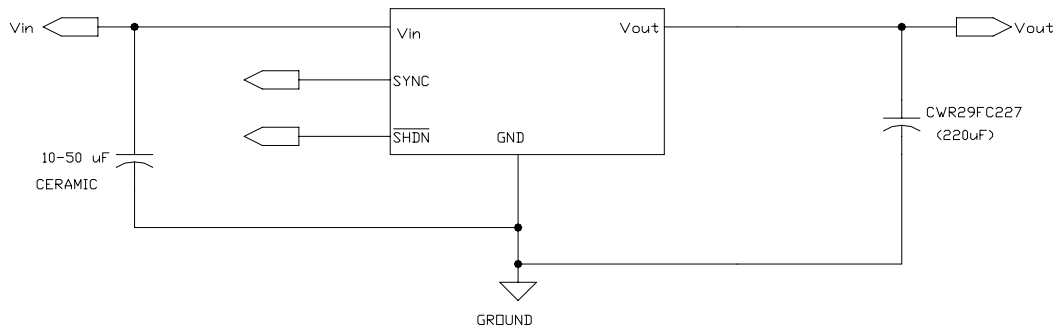


Figure 3.- Basic Fixed Regulator Version

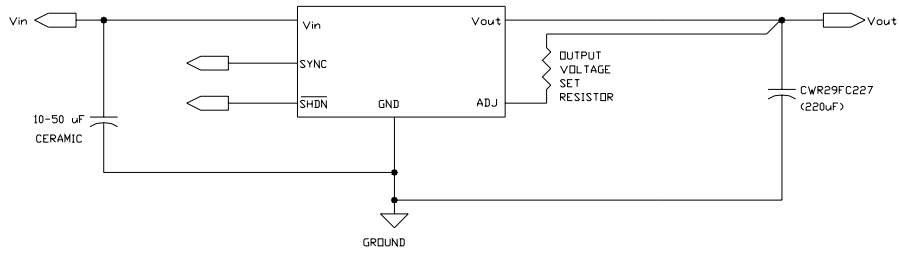


Figure 4.- Adjustable Regulator Version

$$V_{out} = V_{ref} \times (1 + R_{adj}/2490), \text{ with } V_{ref} \sim 1.21 \text{ Volts}$$

Table 4.- Commonly Available 1% resistor values

V_{out} (V)	R_{adj} (Ω)	V_{out} (V)	R_{adj} (Ω)
1.21	0	2.8	3240
1.5	590	3.0	3650
1.8	1210	3.3	4320
2.0	1620	3.5	4750
2.2	2050	3.8	5360
2.5	2670	4.0	5760

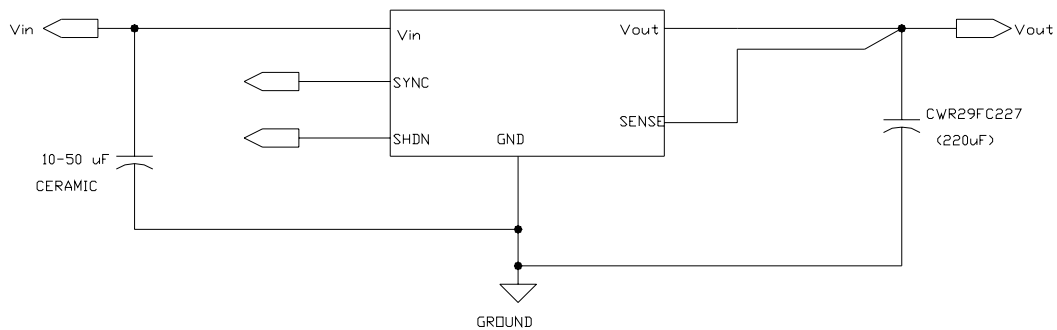


Figure 5.- Remote Sense Version

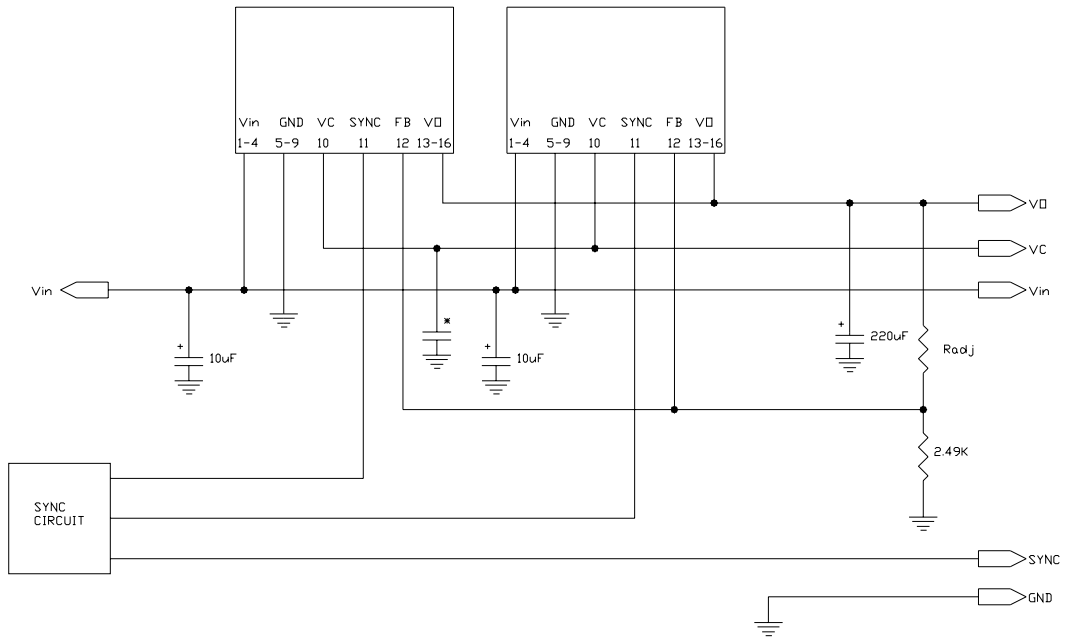
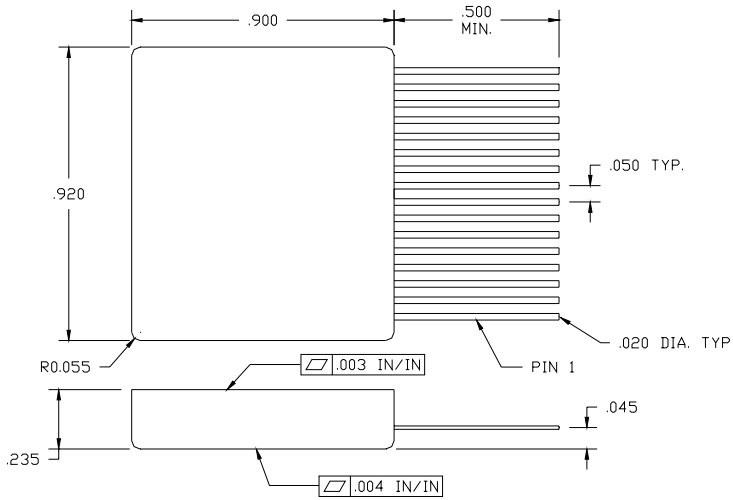


Fig 6- Parallel configuration schematic
 (See Design Note for SAT8564 for further information)

PACKAGE OUTLINE



SAT8564R/F/A

Pin #	Description
1-4	Vin
5-9	GND
10	Shutdown
11	Sync
12	Adjust/ Sense*
13-16	Vout

* No connection for Fixed. Adjust pin for adjustable configuration. Sense pin for Remote version.

SAT8564P

Pin #	Description
1-4	Vin
5-9	GND
10	Vcomp
11	Synch
12	Feedback (FB)
13-16	Vout

ORDERING INFORMATION:

SAT8564R
Product Number

K
Screening Level

F
Package Type

-3.3
Output Voltage

R= Remote Sense Version*
P= Parallel Version
F= Fixed Version
A= Adjustable Version

K = Class-K Compliant
H= Class H compliant
EM= Eng. Model
Blank= 25deg C COTs

F= 16 Pin Flat Pak

-0.8 = 0.8V fixed
- 1.3 = 1.3V Fixed
- 1.8 = 1.8V Fixed
- 2.5 = 2.5V Fixed
- 3.3 = 3.3V Fixed
- 5.0 = 5.0V Fixed
-ADJ = Adjustable Output

* Only available as -ADJ