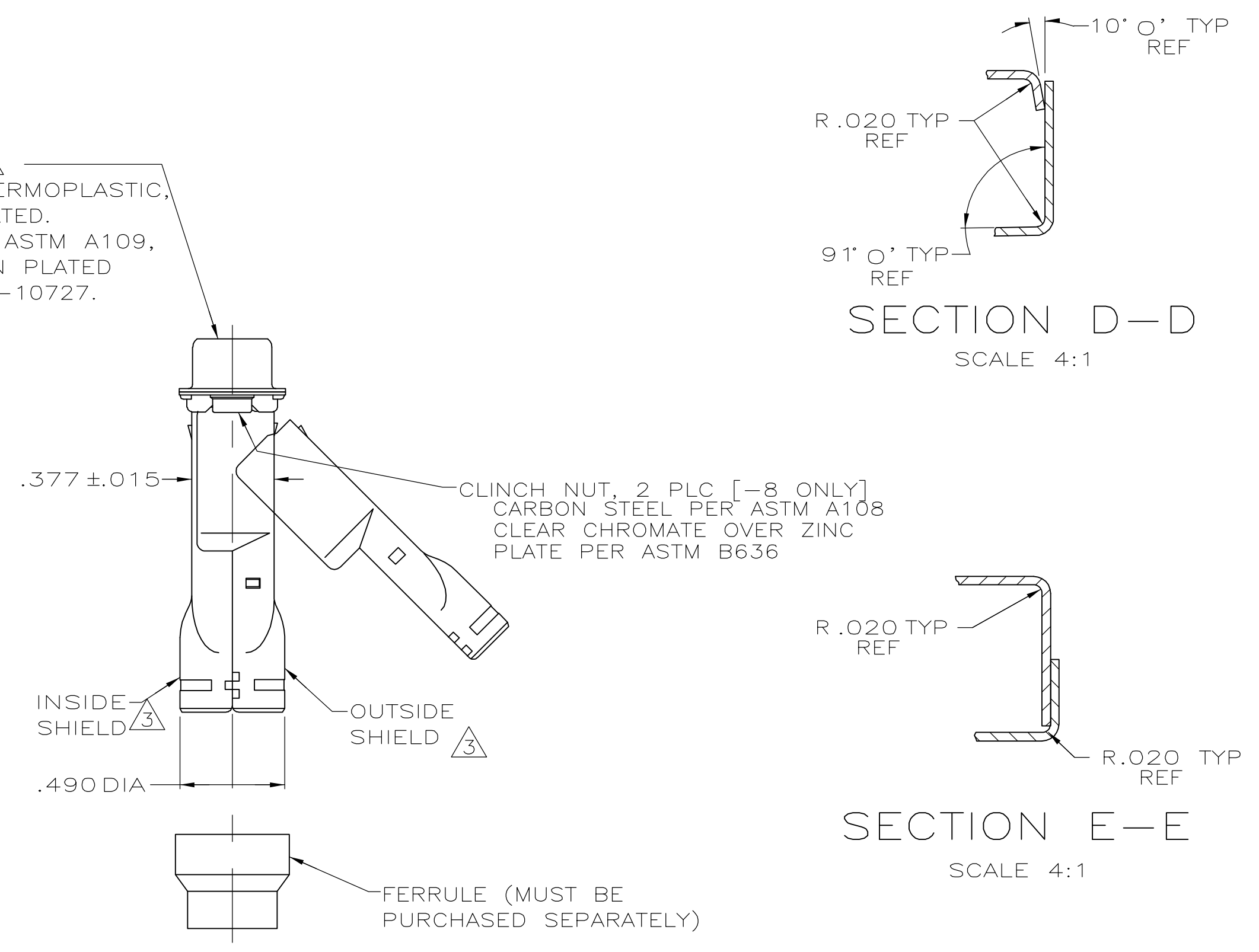


PLUG CONNECTOR <sup>1</sup>  
 INSERT: BLACK THERMOPLASTIC,  
 94V-0 RATED.  
 SHELL: STEEL PER ASTM A109,  
 BRIGHT TIN PLATED  
 PER MIL-T-10727.



- <sup>1</sup> PLUG CONNECTOR FULLY LOADED WITH CONTACTS. ALL OTHER PARTS SHIPPED UNASSEMBLED (EACH PART INDIVIDUALLY BULK PACKED).
- <sup>2</sup> NUMBER ON CONTACT INDICATES WIRE RANGE.
- <sup>3</sup> SHIELDS: MATERIAL—.020 THICK STEEL, TIN PLATED.
- <sup>4</sup> CONTACTS PLATED GOLD PLATED FOR LENGTH OF .150 MIN FROM MATING END, .000030 MIN GOLD IN MATED AREA. .000100—.000200 BRIGHT TIN OR BRIGHT IN TIN-LEAD IN WIRE TERMINATION AREA. .000050 NICKEL UNDERPLATE ON ENTIRE CONTACT.
- <sup>5</sup> CONTACTS PLATED GOLD PLATED FOR LENGTH OF .150 MIN FROM MATING END, GOLD FLASH IN MATED AREA. .000100—.000200 BRIGHT TIN OR BRIGHT IN TIN-LEAD IN WIRE TERMINATION AREA. .000030 NICKEL UNDERPLATE ON ENTIRE CONTACT.

- <sup>6</sup> RAISED CAVITY IDENTIFICATION AND AMP TRADEMARK.
- <sup>7</sup> CONTACTS PLATED GOLD PLATED FOR LENGTH OF .150 MIN FROM MATING END, .000050 MIN GOLD IN MATED AREA. .000100—.000200 BRIGHT TIN OR BRIGHT IN TIN-LEAD IN WIRE TERMINATION AREA. .000050 NICKEL UNDERPLATE ON ENTIRE CONTACT.
- <sup>8</sup> ADVANCE PART NUMBER.
- <sup>9</sup> CONTACTS PLATED GOLD FOR A LENGTH OF .150 MIN FROM MATING END, .000030 MIN GOLD IN MATING AREA. .000100—.000200 MATTE TIN IN WIRE TERMINATION AREA. .000050 MIN NICKEL UNDERPLATE ON ENTIRE CONTACT.
- <sup>10</sup> CONTACTS PLATED GOLD FOR A LENGTH OF .150 MIN FROM MATING END, GOLD FLASH IN MATING AREA. .000100—.000200 MATTE TIN IN WIRE TERMINATION AREA. .000030 MIN NICKEL UNDERPLATE ON ENTIRE CONTACT.

	<sup>10</sup>	2	#22-26	1-747563-0
OBSOLETE	<sup>9</sup>	1	#26-30	747563-9
OBSOLETE	<sup>7</sup>	2	#22-26	747563-8
		2	#22-26	<sup>6</sup> 747563-7
OBSOLETE	<sup>5</sup>	3	#20-22	747563-6
OBSOLETE		2	#22-26	747563-5
OBSOLETE		1	#26-30	747563-4
OBSOLETE		3	#20-22	747563-3
SUPERSEDED BY 747950-2				
OBSOLETE	<sup>4</sup>	2	#22-26	747563-2
OBSOLETE		1	#26-30	747563-1
			CONTACT FINISH <sup>2</sup>	WIRE RANGE
				PART NUMBER

THIS DRAWING IS A CONTROLLED DOCUMENT.

DWN	L. VARELA - DOCKS	11-16-04	Tyco Electronics Corporation Harrisburg, PA 17105-3608
CHK	J. GERACE	11-16-04	
APVD	M. WALMSLEY	11-16-04	NAME
DIMENSIONS: INCHES			PRODUCT SPEC
TOLERANCES UNLESS OTHERWISE SPECIFIED:			108-40011 & 108-40030
0 PLC	±	-	APPLICATION SPEC
1 PLC	±	-	114-40002
2 PLC	±	-	SIZE
3 PLC	±	.005	CAGE CODE
4 PLC	±	.005	DRAWING NO
ANGLES	±	0° 30'	RESTRICTED TO
MATERIAL	SEE CALL OUTS	FINISH	SEE TABLE
WEIGHT	-	114-40002	A1 00779
CUSTOMER DRAWING		SCALE	2:1
		SHEET	1 OF 1
		REV	L1