

1

2

3

4

PRODUCT NUMBER

10072354-X01-XXXLF

PLATING
S = 0.38µm GOLD ON CONTACT AREA
2µm MIN MATTE TIN ON TAIL
OVER 1.27µm MIN NICKEL

G = 0.76µm GOLD ON CONTACT AREA
2µm MIN MATTE TIN ON TAIL
OVER 1.27µm MIN NICKEL

F = GOLD FASH ON CONTACT AREA
2µm MIN MATTE TIN ON TAIL
OVER 1.27µm MIN NICKEL

RoHS COMPATIBLE
NOTE 6

PACKAGING
NOTE 5

TOTAL NB OF POSITIONS
04 TO 50 POS

A

B

NOTES:

- 1. MATERIAL HOUSING: HIGH TEMP. THERMOPLASTIC
UL 94V-0, COLOR BLACK
- 2. MATERIAL TERMINAL: COPPER ALLOY
- 3. TO DETERMINE DIMENSIONS:
N = NUMBER OF POSITIONS PER ROW.
- 4. 7N MIN PIN RETENTION IN EITHER DIRECTION.

5. PACKAGING :

= PLASTIC BOX
U = TUBE AVAILABLE FROM 06 TO 50 POS

6. RoHS COMPATIBLE PRODUCT SPECIFICATIONS

a - PLATING

= 'LF' MEANS THE PRODUCT IS LEAD-FREE
2µm MINIMUM MATTE TIN OVER 1.27µm
MINIMUM NICKEL UNDERPLATE.

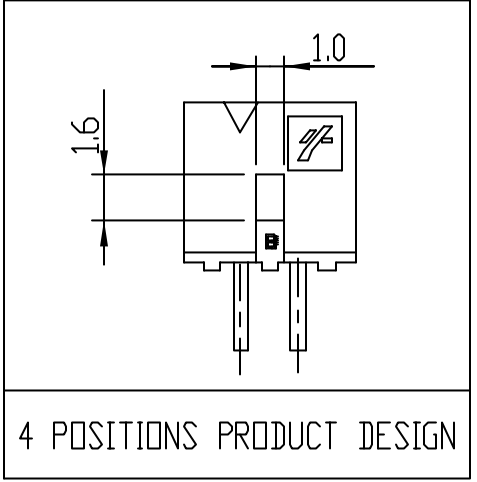
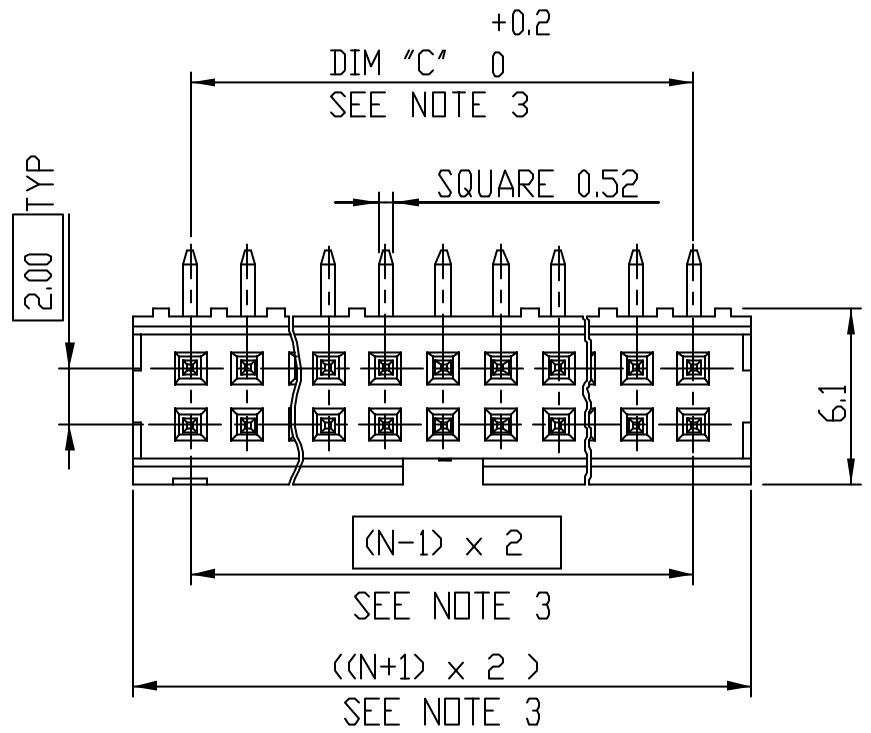
b - MANUFACTURING PROCESS COMPATIBILITY

- THE HOUSING WITHSTAND EXPOSURE TO
260°C PEAK TEMPERATURE FOR
30 SECONDS MAX IN A CONVECTION, INRA-RED
OR VAPOR PHASE OR REFLOW OVEN.

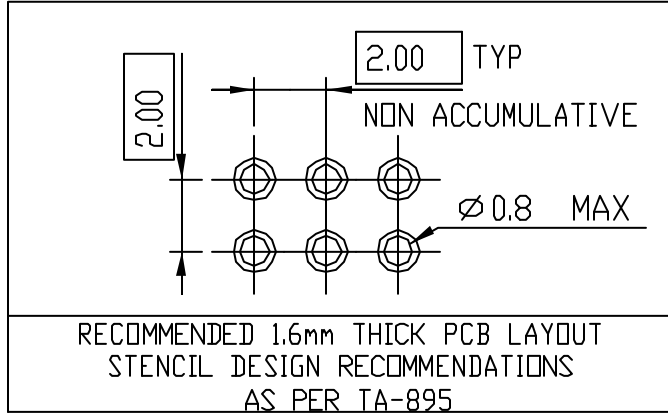
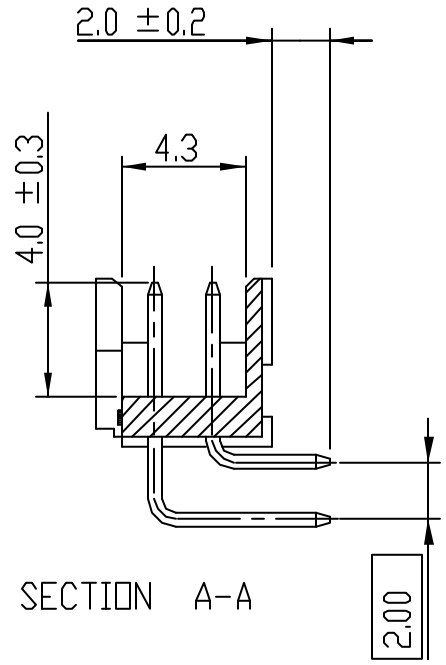
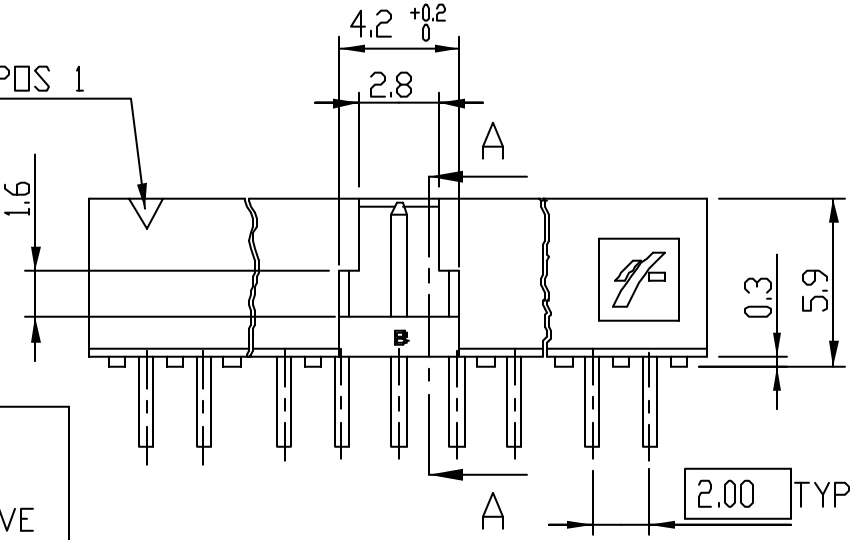
c - LABELLING:

- MEETS PACKAGING SPECS AS PER GS-14-920.

d - THIS PRODUCT MEETS EUROPEAN DIRECTIVES
AND OTHER COUNTRY REGULATIONS AS DISCRIBED
IN GS-22-008



INDICATES POS 1



Copyright FCI

rev	ecn no	dr	date
A	F07-0105	LMU	07.01.10
-	-	-	-
-	-	-	-
-	-	-	-
-	-	-	-
-	-	-	-

www.fciconnect.com		surface ISO 1302	tolerance std ISO 406 ISO 1101	projection mm
		TOLERANCES UNLESS OTHERWISE SPECIFIED		
Dr	L MULIN	06.09.14	ANGULAR	0.X ± 0.13
Eng	J COMPAGNON	06.09.14	LINEAR	0.XX ± 0.05
Chr	-	-	0° ± 2°	0.XXX ± -
Appr	JM.C	06.09.14	Product family	Minitek
FCI		title		size
		SHR HEADER		A3
		2.00 RIGHT ANGLE PIP		Scale
		catalog no		4:1
		dwg no		ECN
		10072354		-
		CUSTOMER Drawing		Spec ref
		sheet 1 of 1		-
		Rev.		1

REV C - 206-D-28

1

2

3

4