

# ATTENUATORS

GPO™ / DC - 18 GHz, 2 Watts

## SPECIFICATIONS:

Models: G, GL, P, PL

**RoHS**  
Compliant

**AEROFLEX**  
A passion for performance.

### Electrical:

Frequency Range \_\_\_\_\_ DC - 18 GHz  
Standard dB Values \_\_\_\_\_ 0 - 13, 20 & 30 dB  
In 1 dB Increments

### Atten. Accuracy:

0 - 6 dB \_\_\_\_\_ ±0.4 dB  
7 - 12 dB \_\_\_\_\_ ±0.6 dB  
13 - 30 dB \_\_\_\_\_ ±0.8 dB

### VSWR

DC - 8 GHz \_\_\_\_\_ 1.25:1 Max.  
8 - 18 GHz \_\_\_\_\_ 1.35:1 Max.

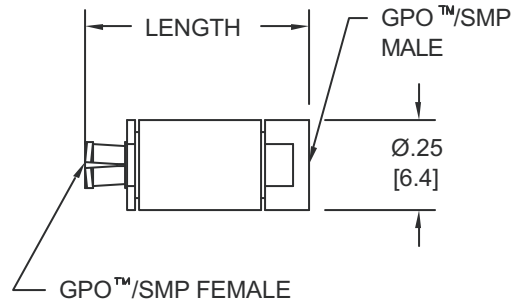
Input Power \_\_\_\_\_ 2 Watts Avg. @ 25°C  
Derated Linearly to 0.5 Watts @ +125°C

Impedance \_\_\_\_\_ 50 Ohms  
Operating Temp Range \_\_\_\_\_ -55°C to +85°C

### Mechanical:

GPO™/SMP Connectors \_\_\_\_\_ Gold Plated Beryllium Copper  
GPO Connectors Mate with SMP Connectors IAW MILSTD-348

Conductors \_\_\_\_\_ Gold Plated Beryllium Copper  
Barrel\*\* \_\_\_\_\_ Passivated Stainless Steel



\*\* For a Gold Plated Barrel add /AU to the Model Number

GPO is a trademark of Corning Gilbert Inc.

Base Model Number	Connector Configuration	LENGTH			
		0 - 12 dB		13, 20 & 30 dB	
		Inches	Millimeters	Inches	Millimeters
18G-yy, 18GL-yy 18P-yy, 18PL-yy	Male/Female	.61 ±.05	[15.49 ± 1.27]	.74 ±.05	[18.80 ± 1.27]
18G-yyM, 18GL-yyM 18P-yyM, 18PL-yyM	Male/Male	.59 ±.05	[14.99 ± 1.27]	.72 ±.05	[18.29 ± 1.27]
18G-yyF 18P-yyF	Female/Female	.63 ±.05	[16.00 ± 1.27]	.76 ±.05	[19.30 ± 1.27]

## HOW TO ORDER:

Model Number: **18YZ-XXY/FF**

### Connector Configuration

= Male/Female  
F = Female/Female  
M = Male/Male

### Finish

= Passivated Barrel  
/AU = Gold Plated Barrel

### dB Value

### Connector Style

= Full Detent Male Interface  
Force is Engage: 15.0 Lbs. Max.

L = Limited Detent Male Interface  
Force is Engage: 5.0 Lbs. Max.

### Connector Type

G = GPO™ Connectors  
P = SMP Connectors

### Ordering Examples:

Model Number: **18G-20**  
DC - 18 GHz; GPO™ Male/female  
Male has Full Detent Interface

Model Number: **18PL-03**  
DC - 26.5 GHz; SMP Male/Female  
Male has Limited Detent Interface

Note: Dimensions in Brackets are Expressed in Millimeters and are for Reference Only.  
Design, specifications are subject to change without notice. Contact factory for technical specifications before purchasing and/or use.

18G-ATT; REV A

**AEROFLEX**  
INMET

Aeroflex / Inmet, Inc. 300 Dino Drive, Ann Arbor, MI 48103 • U.S.A.  
888-244-6638 or 734-426-5553 • FAX: 734-426-5557  
[www.aeroflex.com/inmet](http://www.aeroflex.com/inmet) • [inmet-sales@eroflex.com](mailto:inmet-sales@eroflex.com)