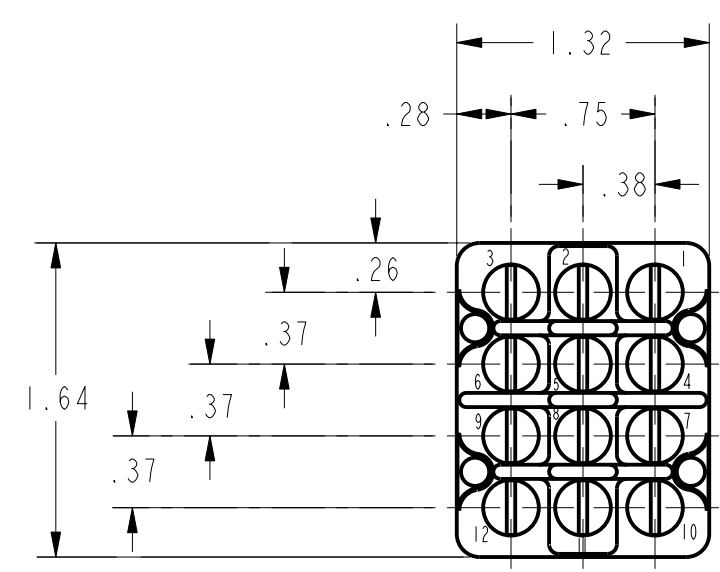
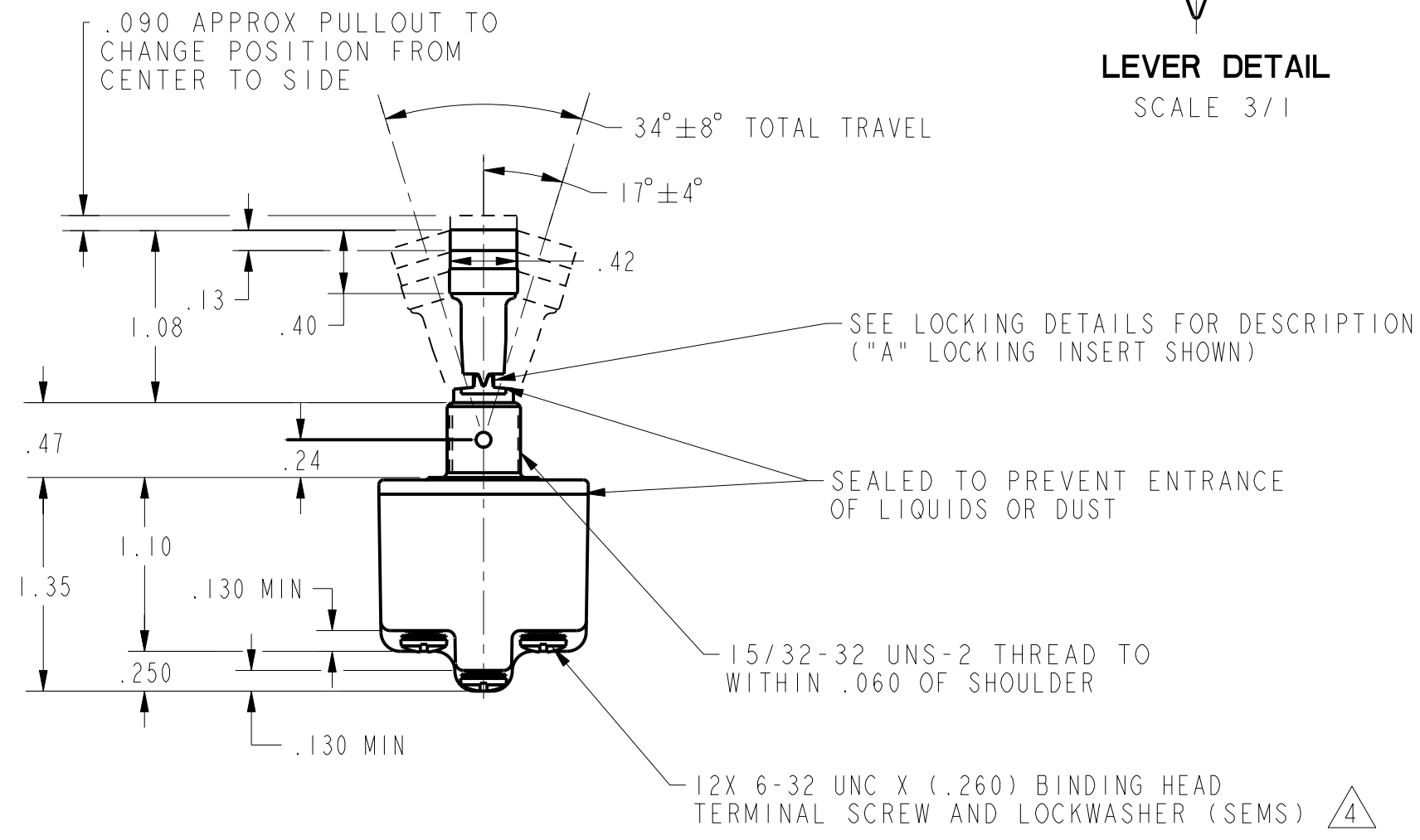
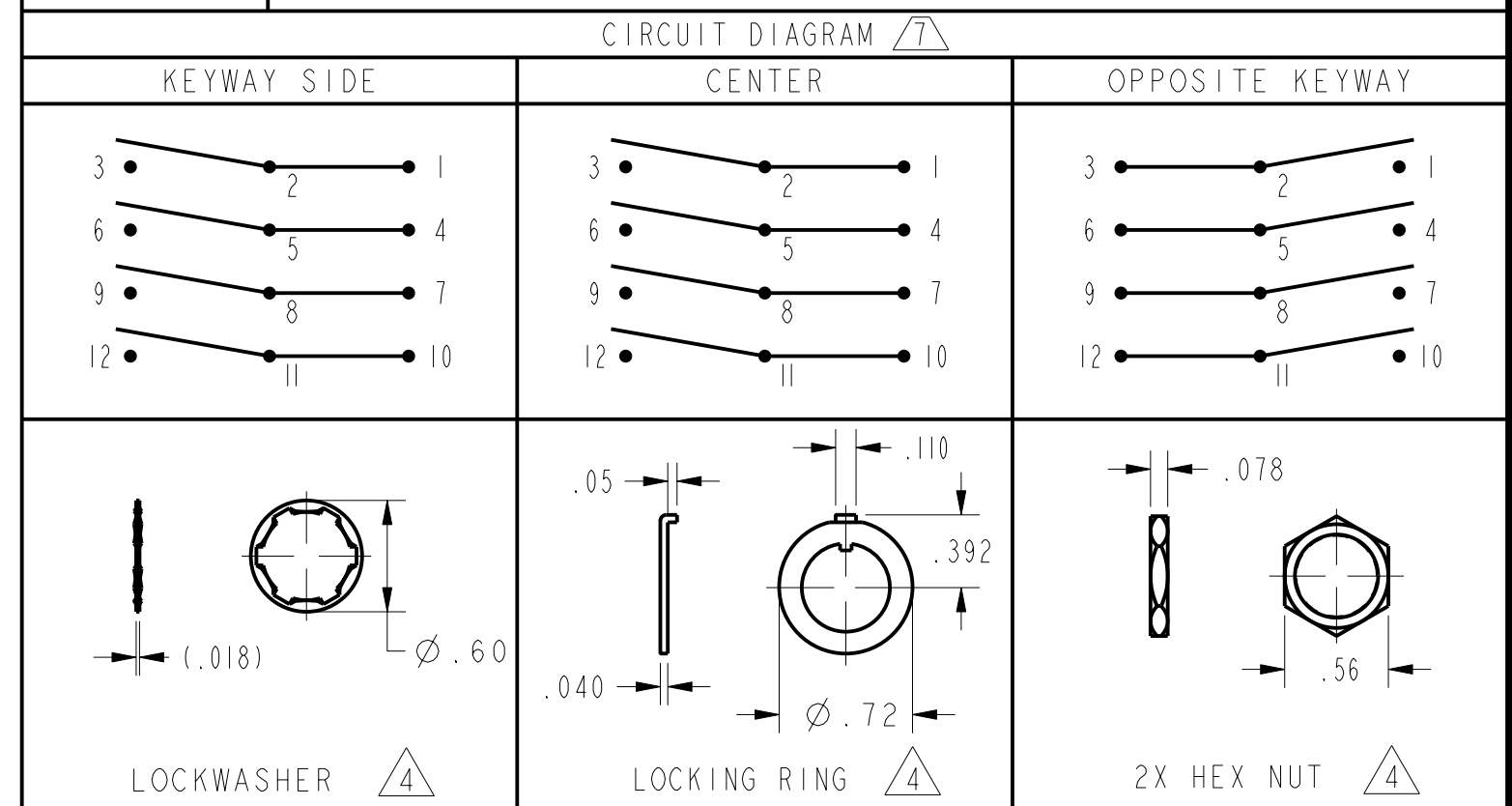


LEVER DETAIL
SCALE 3/1



CATALOG LISTING	AVAILABLE LOCKING COMBINATIONS FOR CONFIGURATION SEE LETTERED DETAILS	CIRCUIT WITH TOGGLE IN			CURRENT CAPACITY (AMPS)														
		KEYWAY SIDE 1-2, 4-5, 7-8, 10-11	CENTER 1-2, 4-5, 7-8, 10-11	OPPOSITE KEYWAY 2-3, 5-6, 8-9, 11-12	RESISTIVE LOAD				LAMP LOAD				INDUCTIVE LOAD						
					DC VOLTS	AC VOLTS	250	125	250	125	250	125	250	125	VDC	VAC			
4TL35-1	A,B,D,E,F,G,H,J,K,L,M,N,P	ON	OFF	ON	28	125	250	125	250	28	125	250	125	250	28	125	250	125	250
4TL35-2	D, F, G	OFF	NONE	ON	20	.75	.5	15	6	5	4	12	15	(REFER TO L191 FOR UL RATING)					
4TL35-3	D, F, G	ON	NONE	ON															
4TL35-21	E, F, K, M	NONE	OFF	ON															
4TL35-31	E, F, K, M	NONE	ON	ON															
4TL35-4	F	MOM OFF	NONE	ON															
4TL35-5	E, F, K, L, M, N	MOM ON	OFF	ON															
4TL35-6	F	MOM ON	NONE	OFF	18	.75	.5	11	6	4	2	10	8	(REFER TO L192 FOR UL RATING)					
4TL35-7	E, L, N	MOM ON	OFF	MOM ON															
4TL35-8	F	MOM ON	NONE	ON															
4TL35-51	F	NONE	ON	MOM ON															
4TL35-61	E	MOM ON	OFF	NONE															

"A"	"B"	"D"	"E"	"F"	"G"
LOCKED IN THREE POSITIONS	LOCKED IN CENTER AND EXTREME POS. (KEYWAY SIDE)	LOCKED OUT OF CENTER POSITION	LOCKED IN CENTER POSITION	LOCKED IN EXTREME POS. (OPP. KEYWAY)	LOCKED IN EXTREME POS. (KEYWAY SIDE)
"H"	"J"	"K"	"L"	"M"	"N"
LOCKED OUT OF CENTER AND EXTREME POS. (KEYWAY SIDE)	LOCKED OUT OF CENTER AND EXTREME POS. (OPP. KEYWAY)	LOCKED IN CENTER AND EXTREME POS. (OPP. KEYWAY)	LOCKED OUT OF EXTREME POS. (KEYWAY SIDE)	LOCKED OUT OF AND INTO EXTREME POS. (OPP. KEYWAY)	LOCKED OUT OF EXTREME POS. (OPP. KEYWAY)
"P"	LOCKED OUT OF AND INTO EXTREME POS. (KEYWAY SIDE)				



L191 15A 125, 250, 277 VAC
1/2HP 125 VAC
1HP 250, 277 VAC
5A 125 VAC "L"

L192 10A 125, 250, 277 VAC
1/4HP 125 VAC
1/2HP 250, 277 VAC
3A 125 VAC "L"

- NOTES
- SWITCHES ARE CAPABLE OF WITHSTANDING A TEMPERATURE OF 160°F CONTINUOUSLY AT FULL RATED LOAD
 - CIRCUIT DESIGNATION AND MICRO SWITCH CATALOG LISTING MARKED ON SIDE OF SWITCH
 - KEYWAY SHOWN ON LEFT SIDE
 - FURNISHED UNASSEMBLED
 - FOR TERMINAL COVER SEE MICRO SWITCH CATALOG LISTING 5PA9
 - SUFFIX LETTER MUST BE ADDED FOR DESIRED TYPE TOGGLE LOCKING. SEE CHART FOR AVAILABLE LOCKING COMBINATIONS
 - CIRCUIT DIAGRAMS APPLY ONLY TO "ON" AND "MOM ON" POSITIONS.
 - EIGHT TERMINAL SCREWS REQUIRED ON THIS LISTING
 - FROM BOTTOM OF KEYWAY TO MAJOR DIAMETER OF 15/32 THREAD
 - ASSEMBLE T-HANDLE WITH SET SCREW ORIENTED TO MATE WITH SLOT IN LEVER

THIS DRAWING COVERS A PROPRIETARY ITEM AND IS THE PROPERTY OF MICRO SWITCH, A DIVISION OF HONEYWELL. THIS DRAWING IS NOT TO BE COPIED OR USED WITHOUT THE APPROVAL OF MICRO SWITCH.

MICRO SWITCH a Honeywell Division

SWITCH - TOGGLE

CATALOG LISTING 4TL35 SERIES CHART 2

THIRD ANGLE PROJECTION

SCALE FULL

DO NOT SCALE PRINT

UNLESS OTHERWISE SPECIFIED TOLERANCES ARE

ONE PLACE	(.0)	± .030
TWO PLACES	(.00)	± .015
THREE PLACES	(.000)	± .005
ANGLES		±
WEIGHT		

ANSI Y14.5M-1982 APPLIES

FED. MFG. CODE 91929

P.T.C./CAD [20]
 DRAWN S.A.V. 23 NOV 99
 CHECK JAF 23 NOV 99
 4TL35 SERIES CHART 2
 DRAWING NUMBER
 ISSUE 4
 REVISIONS
 A CO-94444
 23 NOV 99
 B 203526
 26 JUL 01
 RELEASE NO. PR-21785
 REPLACES