

SMD Tubular Tuning Fork Crystal



Model: NC26SMLF

RoHS Compliant

Rev. 3/4/2010

Page 1 of 2

http://www.foxonline.com/need_a_sample.htm



FEATURES

- Ultra Low Profile
- Long Term Stability
- Tape and Reel (3,000 pcs. STD)

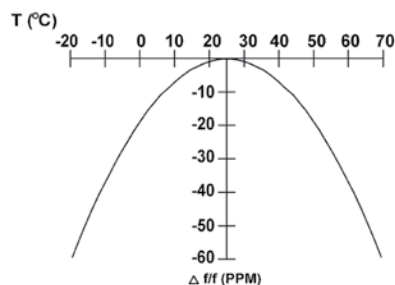
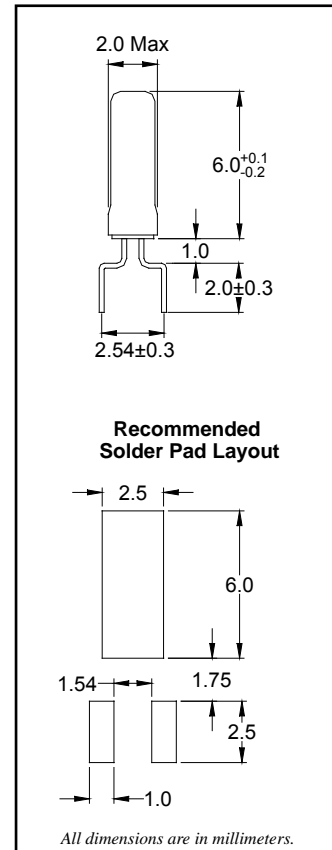
• PART NUMBER [Learn More](#) - Internet Required

Part Number	Model Number	Frequency Stability	Operating Temperature
509LF-0.032768-xxxxx	NC26SMLF	-0.04PPM/($\Delta^{\circ}\text{C}$) ²	-40 ~ +85 $^{\circ}\text{C}$

• STANDARD SPECIFICATIONS

PARAMETERS	MAX (unless otherwise noted)
Frequency	32.768 kHz
Frequency Tolerance @ 25 $^{\circ}\text{C}$	± 20 PPM
Frequency Stability Temperature Coefficient	-0.04 PPM / ($\Delta^{\circ}\text{C}$) ²
Temperature Range	
Turnover (T _O)	+20 $^{\circ}\text{C}$ ~ +30 $^{\circ}\text{C}$
Operating (T _{OPR})	-40 $^{\circ}\text{C}$ ~ +85 $^{\circ}\text{C}$
Storage (T _{STG})	-55 $^{\circ}\text{C}$ ~ +125 $^{\circ}\text{C}$
Equivalent Series Resistance (R _S)	50 k Ω
Load Capacitance (C _L)	12.5 pF
Insulation Resistance @ 110VDC	500 M Ω Min
Drive Level	1.0 μW
Aging per year	± 3 PPM
Maximum Soldering Temp/Time	260 $^{\circ}\text{C}$ x 10 Seconds
Moisture Sensitivity Level (MSL)	1
Termination Finish	Sn / Cu

All specifications subject to change without notice.



To determine frequency stability, use parabolic curvature (K).
For example: What is stability at 45 $^{\circ}\text{C}$?

- 1) Change in T ($^{\circ}\text{C}$) = 45-25 = 20 $^{\circ}\text{C}$
- 2) Change in frequency = -0.04 PPM * ($\Delta^{\circ}\text{C}$)²
= -0.04 PPM * (20)²
= -16.0 PPM

SMD Tubular Tuning Fork Crystal



Model: NC26SMLF

RoHS Compliant

Rev. 3/4/2010

Page 1 of 2

http://www.foxonline.com/need_a_sample.htm



• TAPE SPECIFICATIONS (millimeters)

MODEL	A	B	C	D	E	F	STD Reel QTY
NC26SMLF	∅1.5	4.0	8.0	7.5	16.0	2.15	3,000

• REEL SPECIFICATIONS (millimeters)

MODEL	G	H	I	J	K	L	M
NC26SMLF	2.0	∅13	∅21	∅100	∅330	17.5	2.0

