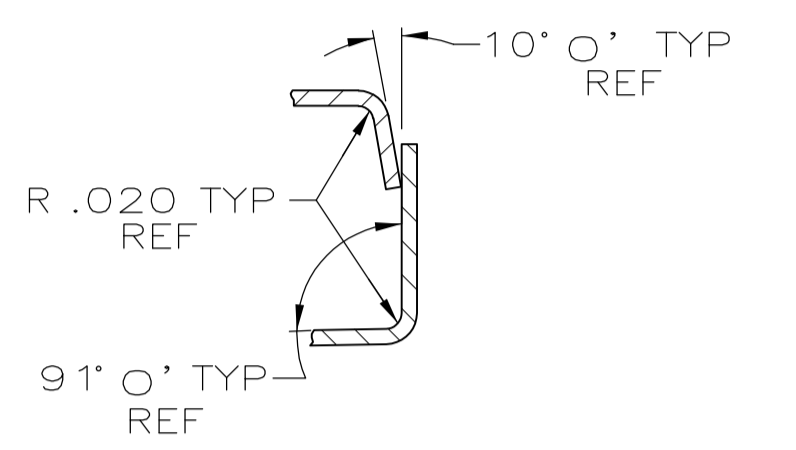
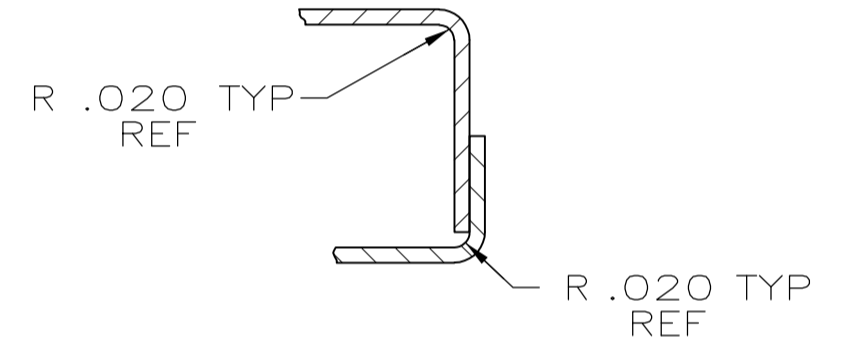
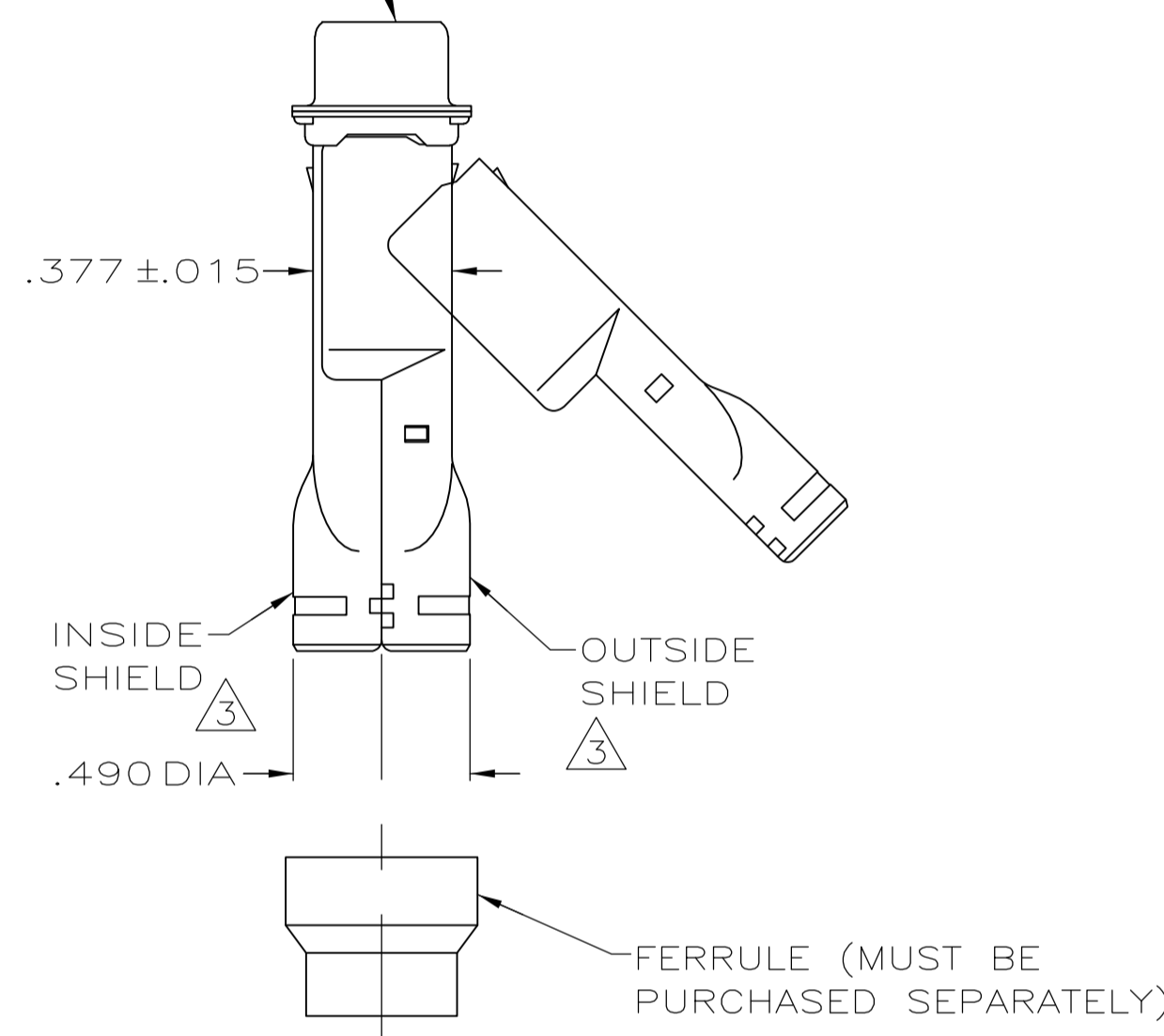
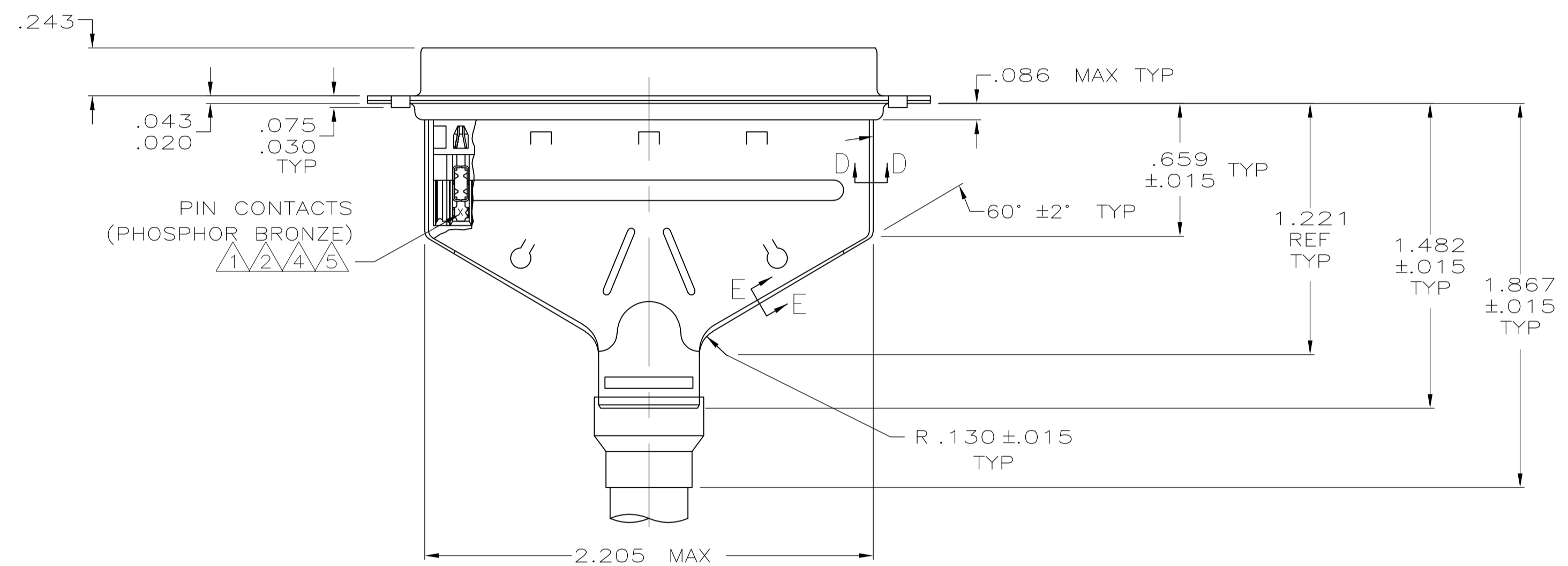


RCPT CONNECTOR
 INSERT: BLACK THERMOPLASTIC,
 94V-0 RATED.
 SHELL: STEEL PER ASTM A109,
 BRIGHT TIN PLATED
 PER MIL-T-10727.



SECTION D-D
 SCALE 4:1



SECTION E-E
 SCALE 4:1



- ① RCPT CONNECTOR FULLY LOADED WITH CONTACTS. ALL OTHER PARTS SHIPPED UNASSEMBLED (EACH PART INDIVIDUALLY BULK PACKED).
- ② NUMBER ON CONTACT INDICATES WIRE RANGE.
- ③ SHIELDS: MATERIAL—.020 THICK STEEL, TIN PLATED.
- ④ CONTACTS PLATED .000030 GOLD ON MATING END FOR .150 MIN LENGTH. .000100-.000200 BRIGHT TIN OR BRIGHT TIN-LEAD IN WIRE TERMINATION AREA. .000050 NICKEL UNDERPLATE ON ENTIRE CONTACT.
- ⑤ CONTACTS PLATED WITH GOLD FLASH ON MATING END FOR .150 MIN LENGTH. .000100-.000200 BRIGHT TIN OR BRIGHT TIN-LEAD IN WIRE TERMINATION AREA. .000030 NICKEL UNDERPLATE ON ENTIRE CONTACT.
- ⑥ RAISED CAVITY IDENTIFICATION AND AMP TRADEMARK.
- ⑦ CONTACTS PLATED .000050 GOLD ON MATING END FOR .150 MIN LENGTH. .000100-.000200 BRIGHT TIN OR BRIGHT TIN-LEAD IN WIRE TERMINATION AREA. .000050 NICKEL UNDERPLATE IN ENTIRE CONTACT.
- ⑧ CONTACTS PLATED WITH GOLD FLASH ON MATING END FOR .150 MIN LENGTH. .000100-.000200 MATTE TIN IN WIRE TERMINATION AREA. .000030 MIN NICKEL UNDERPLATE ON ENTIRE CONTACT.

CONTACT FINISH	WIRE RANGE	PART NUMBER
⑧	2	#22-26 747564-9
⑧	1	#26-30 747564-8
⑦	2	#22-26 747564-7
⑦	3	#20-22 747564-6
⑤	2	#22-26 747564-5
⑤	1	#26-30 747564-4
④	3	#20-22 747564-3
④	2	#22-26 747564-2
④	1	#26-30 747564-1

THIS DRAWING IS A CONTROLLED DOCUMENT.

DWN	L. VARELA - DOCKS	11-17-04	Tyco Electronics Tyco Electronics Corporation Harrisburg, PA 17105-3608
CHK	J. GERACE	11-17-04	
APRD	M. WALMSLEY	11-17-04	KIT, RCPT, SHIELDING HARDWARE, SIZE 4, 37 POSN, HDE-20, AMPLIMITE
PRODUCT SPEC			
APPLICATION SPEC	114-40002	SIZE	CAGE CODE
WEIGHT	-	A1	00779
CUSTOMER DRAWING		SCALE	2:1

RESTRICTED TO: -

SHEET 1 OF 1 REV F2