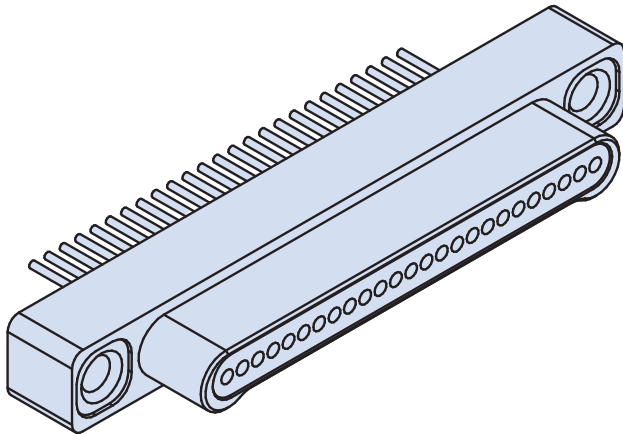


890-003 and -004 Series 89 Nanominiature Connectors Single Row Uninsulated Wire Pigtail Assemblies



Single Row Connectors



Glenair's Pigtail Nano Connectors feature gold alloy TwistPin contacts. Contacts are precision-crimped to solid wire. These nanominiature connectors offer premium performance and reliability for demanding applications. Contact spacing is .025 inches. 1 amp current rating, DWV rating 300 volts AC. Wire gages #30 and #32 AWG.

TwistPin Contact System assures premium performance in demanding environments. The gold/platinum alloy contacts will stand up to years of exposure without corrosion.

Typical Applications include UAV's, satellites, missile systems and geophysical instruments.

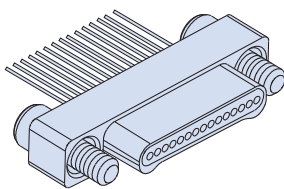
HOW TO ORDER NANOMINIATURE CONNECTORS WITH UNINSULATED WIRE

Series	Insert Arrangement/ Contact Type	Shell Material and Finish	Wire Gage	Wire Type	Wire Length	Hardware
890-003 Plug, Pin Contacts, Single Row, Nanominiature	Plugs (890-003) 9P 15P 21P 25P 31P 37P 51P	A1	0	D3 Single Strand Copper Wire, Uninsulated, with Gold Plating	.125	J Jackscrew, #0-80 T #0-80 Female Thread Female threads are available on plug connectors only if the shell material is titanium or stainless steel.
		Aluminum Shell, Cadmium Plating	#30 AWG		.250	
		A2	2		.375	
		Aluminum Shell, Electroless Nickel Plating	#32 AWG		.500	
					Wire Length in Inches	
890-004 Receptacle, Socket Contacts, Single Row, Nanominiature	Receptacles (890-004) 9S 15S 21S 25S 31S 37S 51S	T				
		Titanium Shell, Unplated				
		S				
		Stainless Steel Shell, Passivated				

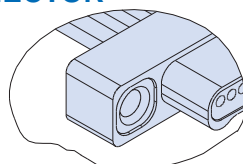
Sample Part Number

890-003	- 31P	A2	- 0	D3	- .250	J
----------------	--------------	-----------	------------	-----------	---------------	----------

PLUG (PIN) CONNECTOR

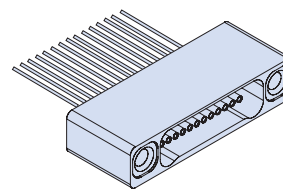


"J" Jackscrew Option

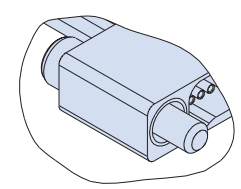


"T" Female Thread Option
Titanium or Stainless Steel
Shells Only

RECEPTACLE (SOCKET) CONNECTOR



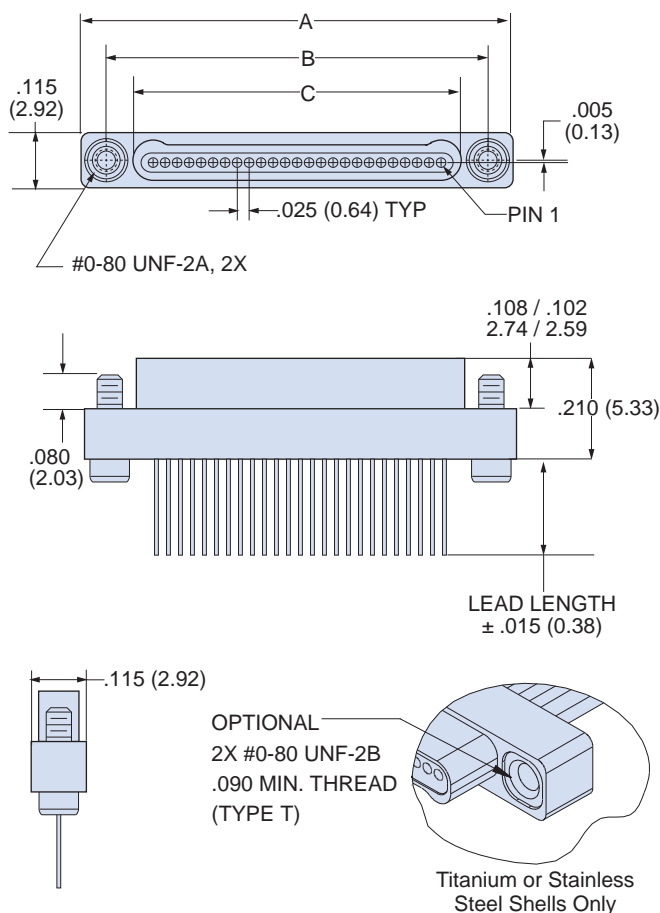
"T" Female Thread Option



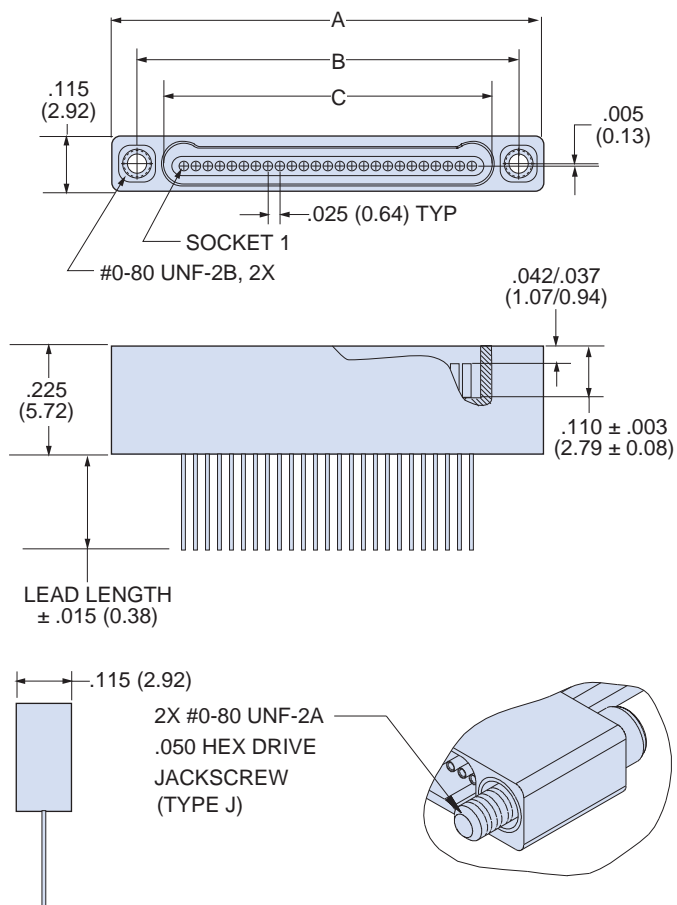
"J" Jackscrew Option

SINGLE ROW NANO PIGTAIL DIMENSIONS

Plug (Pin) Connectors



Receptacle (Socket) Connectors



Layout	A		B BSC.		C BSC.	
	In. $\pm .005$	mm. ± 0.13	In.	mm.	In.	mm.
9P	.500	12.70	.395	10.03	.284	7.21
9S	.500	12.70	.395	10.03	.285	7.24
15P	.650	16.51	.545	13.84	.434	11.02
15S	.650	16.51	.545	13.84	.435	11.05
21P	.800	20.32	.695	17.65	.584	14.83
21S	.800	20.32	.695	17.65	.585	14.86
25P	.900	22.86	.795	20.19	.684	17.37
25S	.900	22.86	.795	20.19	.685	17.40
31P	1.050	26.67	.945	24.00	.834	21.18
31S	1.050	26.67	.945	24.00	.835	21.21
37P	1.200	30.48	1.095	27.81	.984	24.99
37S	1.200	30.48	1.095	27.81	.985	24.02
51P	1.550	39.37	1.445	36.70	1.334	33.88
51S	1.550	39.37	1.445	36.70	1.335	33.91