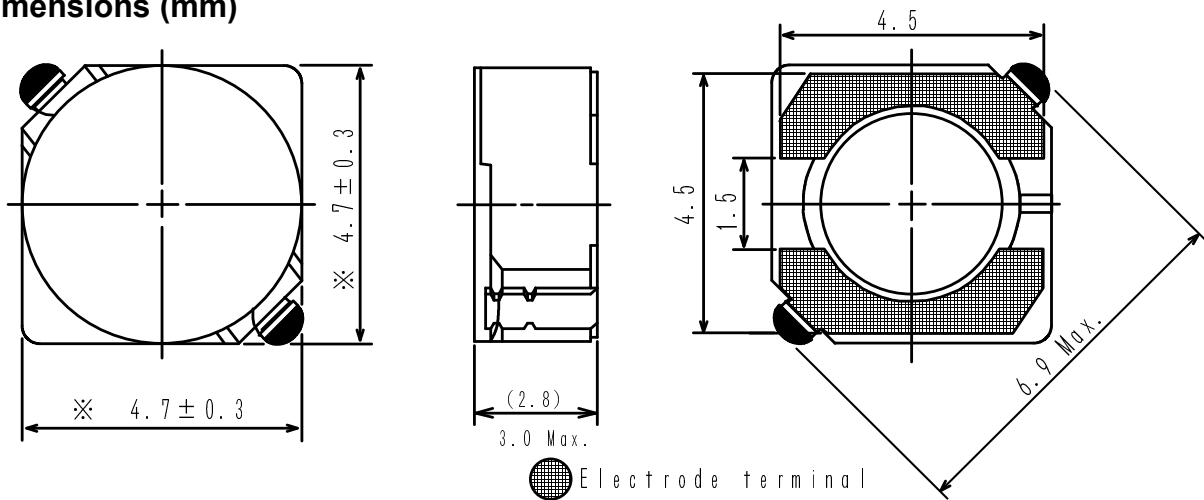
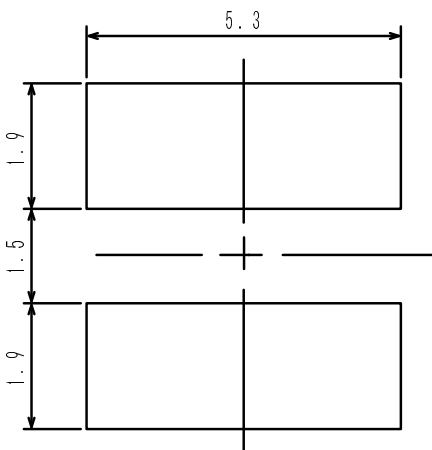


Type: CDRH4D28 /E
◆ Product Description

- 5.0×5.0mm Max.(L×W), 3.0mm Max. height.
- Inductance range: 1.2~180 μ H.
- Rated current range: 0.26~2.87A.
- Custom design is available.


◆ Feature

- Magnetically shielded construction.
- Storage temperature range: -40°C ~+100°C.
- Operating temperature range: -40°C ~+100°C (Including coil's self temperature rise).
- Ideally used in Mobile phone, PDA, MP3, HDD, DSC/DVC, Note book PC, etc as DC-DC converter inductors.
- RoHS compliance.

◆ Dimensions (mm)

◆ Land Pattern (mm)


Type: CDRH4D28 /E
◆ Specification

Part Name ※	Stamp	Inductance (μ H) 100kHz/1V	D.C.R.(Ω) Max.(Typ.) (at 20°C)	Saturation Current (A) ※1		Temperature Rise Current (A) ※2
				at 20°C	at 100°C	
CDRH4D28ENP-1R2N□	1R2	1.2±30%	23.6m(17.5m)	3.00	2.75	2.87
CDRH4D28ENP-1R8N□	1R8	1.8±30%	27.5m(20.4m)	2.40	2.20	2.60
CDRH4D28ENP-2R2N□	2R2	2.2±30%	31.3m(23.2m)	2.25	2.05	2.33
CDRH4D28ENP-2R7N□	2R7	2.7±30%	43.3m(32.1m)	2.20	1.80	2.02
CDRH4D28ENP-3R3N□	3R3	3.3±30%	49.2m(36.4m)	2.16	1.70	1.80
CDRH4D28ENP-3R9N□	3R9	3.9±30%	64.8m(48.0m)	2.00	1.60	1.61
CDRH4D28ENP-4R7N□	4R7	4.7±30%	72.0m(53.3m)	1.84	1.52	1.46
CDRH4D28ENP-5R6N□	5R6	5.6±30%	100.9m(74.7m)	1.68	1.36	1.30
CDRH4D28ENP-6R8N□	6R8	6.8±30%	108.9m(80.7m)	1.52	1.21	1.22
CDRH4D28ENP-8R2N□	8R2	8.2±30%	117.5m(87.0m)	1.36	1.12	1.15
CDRH4D28ENP-100N□	100	10±30%	128.3m(95.0m)	1.28	1.04	1.06
CDRH4D28ENP-120N□	120	12±30%	131.6m(97.5m)	1.12	0.96	1.00
CDRH4D28ENP-150N□	150	15±30%	149.0m(110.4m)	1.00	0.84	0.97
CDRH4D28ENP-180N□	180	18±30%	166.0m(123.0m)	0.90	0.75	0.88
CDRH4D28ENP-220N□	220	22±30%	235.0m(174.5m)	0.76	0.70	0.80
CDRH4D28ENP-270N□	270	27±30%	261.0m(193.3m)	0.72	0.60	0.72
CDRH4D28ENP-330N□	330	33±30%	331.3m(254.8m)	0.64	0.56	0.61
CDRH4D28ENP-390N□	390	39±30%	383.7m(284.2m)	0.60	0.52	0.57
CDRH4D28ENP-470N□	470	47±30%	587.0m(435.0m)	0.56	0.48	0.49
CDRH4D28ENP-560N□	560	56±30%	624.5m(462.6m)	0.52	0.44	0.46
CDRH4D28ENP-680N□	680	68±30%	699.0m(517.8m)	0.47	0.40	0.43
CDRH4D28ENP-820N□	820	82±30%	914.8m(677.6m)	0.41	0.36	0.39
CDRH4D28ENP-101N□	101	100±30%	1.02(765.8m)	0.39	0.31	0.34
CDRH4D28ENP-121N□	121	120±30%	1.27(976.8m)	0.35	0.28	0.30
CDRH4D28ENP-151N□	151	150±30%	1.35(1.08)	0.31	0.26	0.28
CDRH4D28ENP-181N□	181	180±30%	1.54(1.23)	0.28	0.24	0.26

※ Description of part name

CDRH4D28ENP-1R2N□

- B Box
- C Carrier Tape

※1.Saturation current: The DC current at which the inductance decreases to 65% of its nominal value.

 ※2.Temperature rise current: The DC current at which the temperature rise is $\Delta t=40^{\circ}\text{C}$.($T_a=20^{\circ}\text{C}$)