

CTCDRH5D28F Series

From 2.5 μH to 150 μH



CHARACTERISTICS

Description: SMD (shielded) power inductor.
Applications: Power supplies for VTR, OA equipment, LCD televisions, PC notebooks, portable communication equipment, DC/DC converters, etc.
Operating Temperature: -30°C to +100°C
Inductance Tolerance: $\pm 30\%$
Testing: Tested on a HP4284A at 10KHz, 0.25Vrms, 0Aac.
Packaging: Tape & Reel.
Marking: Parts are marked with inductance code.
Rated DC Current: Indicates the current when the inductance decreases to 65% of its initial value or D.C. current when the temperature of coil is increased by 30% the smaller one is defined as rated current.
Miscellaneous: **RoHS Compliant.**
Additional Information: Additional electrical & physical information available upon request.
Samples available. See website for ordering information.

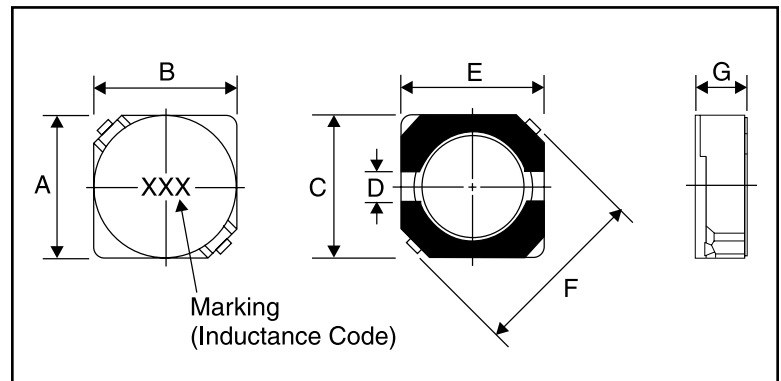
SPECIFICATIONS

Parts are available in $\pm 30\%$ inductance tolerance only.

Part Number	Inductance (μH)	L Test Freq. (KHz)	DCR Max. (m Ω)	Rated DC Current (A)
CTCDRH5D28F-2R5N	2.5	10	18	2.60
CTCDRH5D28F-3R0N	3.0	10	24	2.40
CTCDRH5D28F-4R2N	4.2	10	31	2.20
CTCDRH5D28F-5R3N	5.3	10	38	1.90
CTCDRH5D28F-5R6N	5.6	10	40	1.85
CTCDRH5D28F-6R2N	6.2	10	45	1.80
CTCDRH5D28F-8R2N	8.2	10	53	1.60
CTCDRH5D28F-100N	10	10	65	1.30
CTCDRH5D28F-120N	12	10	76	1.20
CTCDRH5D28F-150N	15	10	103	1.10
CTCDRH5D28F-180N	18	10	110	1.00
CTCDRH5D28F-220N	22	10	122	0.90
CTCDRH5D28F-270N	27	10	175	0.85
CTCDRH5D28F-330N	33	10	189	0.75
CTCDRH5D28F-390N	39	10	212	0.70
CTCDRH5D28F-470N	47	10	260	0.62
CTCDRH5D28F-560N	56	10	305	0.58
CTCDRH5D28F-680N	68	10	355	0.52
CTCDRH5D28F-820N	82	10	463	0.46
CTCDRH5D28F-101N	100	10	520	0.42
CTCDRH5D28F-121N	120	10	850	0.31
CTCDRH5D28F-151N	150	10	956	0.26

PHYSICAL DIMENSIONS

Size	A	B	C	D	E	F	G
						Max.	Max.
mm	5.7 ± 0.3	5.7 ± 0.3	5.5	2.0	5.5	8.2	3.0
inches	0.22 ± 0.01	0.22 ± 0.01	0.217	0.08	0.217	0.32	0.12



PAD LAYOUT

