

4 K × 4 High Speed CMOS SRAM

Short description. Please refer to the full datasheet for detailed technical information.

1

Introduction

The HM 65768B is a high speed CMOS static RAM organized as 4096 × 4 bits. It is manufactured using MHS's high performance CMOS technology.

Access times as fast as 25 ns are available with maximum power consumption of only 385 mW.

The HM 65768B features fully static operation requiring no external clocks or timing strobes. The automatic power-down feature reduces the power consumption by 77 % when the circuit is deselected.

Each memory expansion is provided by an active low chip select (\overline{CS}) and three state drivers.

All inputs and outputs of the HM 65768 are TTL compatible and operate from single 5 V supply thus simplifying system design.

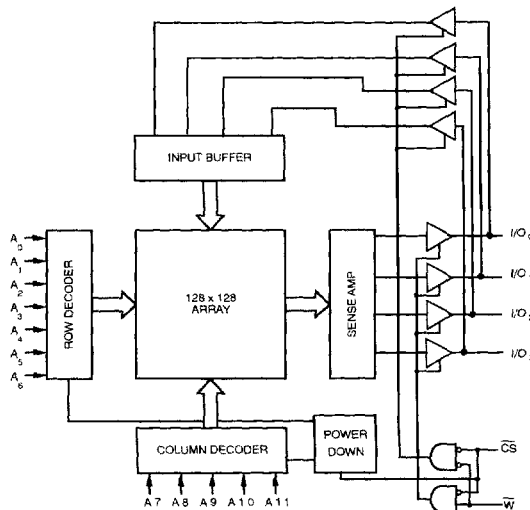
The HM 65768B is 100 % processed following the test methods of MIL STD 883 and/or ESA/SCC 9000, making it ideally suitable for military/space applications that demand superior levels of performance and reliability.

Features

- Fast access time
Commercial : 25/35/45/55 ns (max)
Military : 25/35/45/55 ns (max)
- Low power consumption
Active : 200 mW (typ)
Standby : 35 mW (typ)
- Wide temperature range :
-55°C to + 125°C
- 300 mils width package
- TTL compatible inputs and outputs
- Asynchronous
- Capable of withstanding greater than 2000 V electrostatic discharge
- Single 5 volt supply

Interface

Block Diagram



Ordering Information

PACKAGE	DEVICE TYPE	GRADE	LEVEL
HM	65768B	H	-5 : R
<p>3</p> <p>0 - Chip form 1 - Ceramic 20 pins 300 mils 3 - Plastic 20 pins 300 mils T - SOIC 20 pins 300 mils U - SOJ 20 pins 300 mils</p>	<p>4 k × 4 high speed static RAM</p>	<p>H = 25 ns K = 35 ns M = 45 ns N = 55 ns</p>	<p>-2 : Military -5 : Commercial -6 : 100% 25°C Probe /883 : MIL STD 883 Class B DB : Dice Military program R : Tape & Reel option RD : Tape & Reel/Dry pack option D : Dry pack option</p>

Military Version

The following table gives package/access time/process flow available combinations

Temp. range	Packages	Access Time (ns)				Std process 65768B
		25 H	35 K	45 M	55 N	Mil flows
M	1 0	● X	● X	● X	● X	● X

● = product in production

X = call sales office for availability

The information contained herein is subject to change without notice. No responsibility is assumed by TEMIC for using this publication and/or circuits described herein : nor for any possible infringements of patents or other rights of third parties which may result from its use.