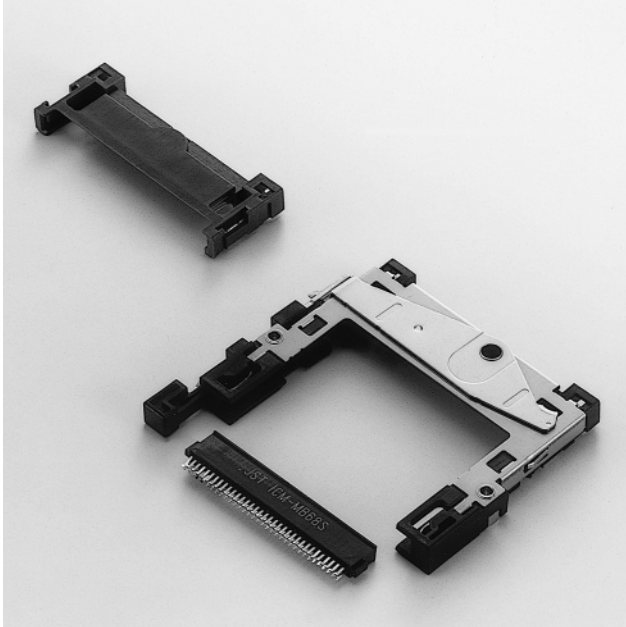


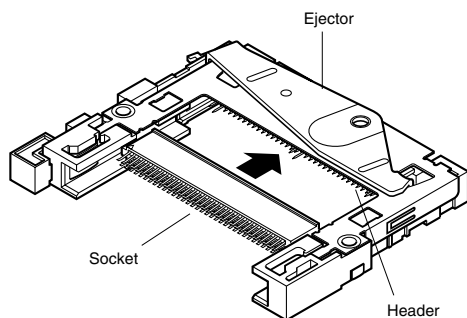
JSTPC
Card**1.0mm**
pitch

SMALL PC CARD CONNECTOR MB TYPE

Emboss Tape

*68-circuit Small PC card connector*

1.0mm pitch 68-circuit dual-row connector for small PC card, conforming to PCMCIA/JEIDA standard.



Features

• Socket

Socket is of straddle-type, designed to accommodate PC board between the two solder tail rows.

• Header

Header is with stand-off 0mm, available in both normal and reverse types.

• Ejector

Ejector is, with the left button, to be assembled (with screws) after header is mounted. The frame has the contact point for the grounding clip on the small PC card.

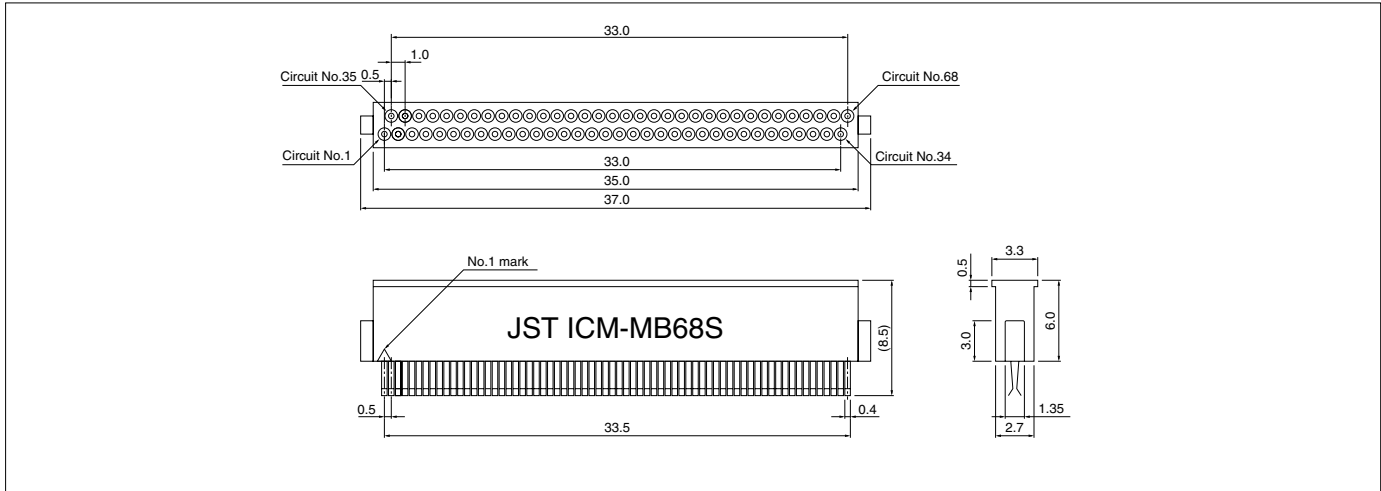
<Card frame (for types I & II cards)>

Specifications

- Current rating: 0.5A AC, DC/line
- Temperature range: -40°C to +85°C
(including temperature rise in applying electrical current)
- Contact resistance: Initial value/40m Ω max.
After environmental testing/max.
20m Ω variation from initial value.
- Withstanding voltage: 500V AC/minute
- Insulation resistance: 1,000M Ω min.(initial)
- Mating/unmating life: 10,000 cycles
- Circuits: 68-circuits
- * Contact JST if Lead-Free product is required.
- * Refer to "General Instruction and Notice when using Terminals and Connectors" at the end of this catalog.
- * Contact JST for details.

SMALL PC CARD CONNECTOR MB TYPE

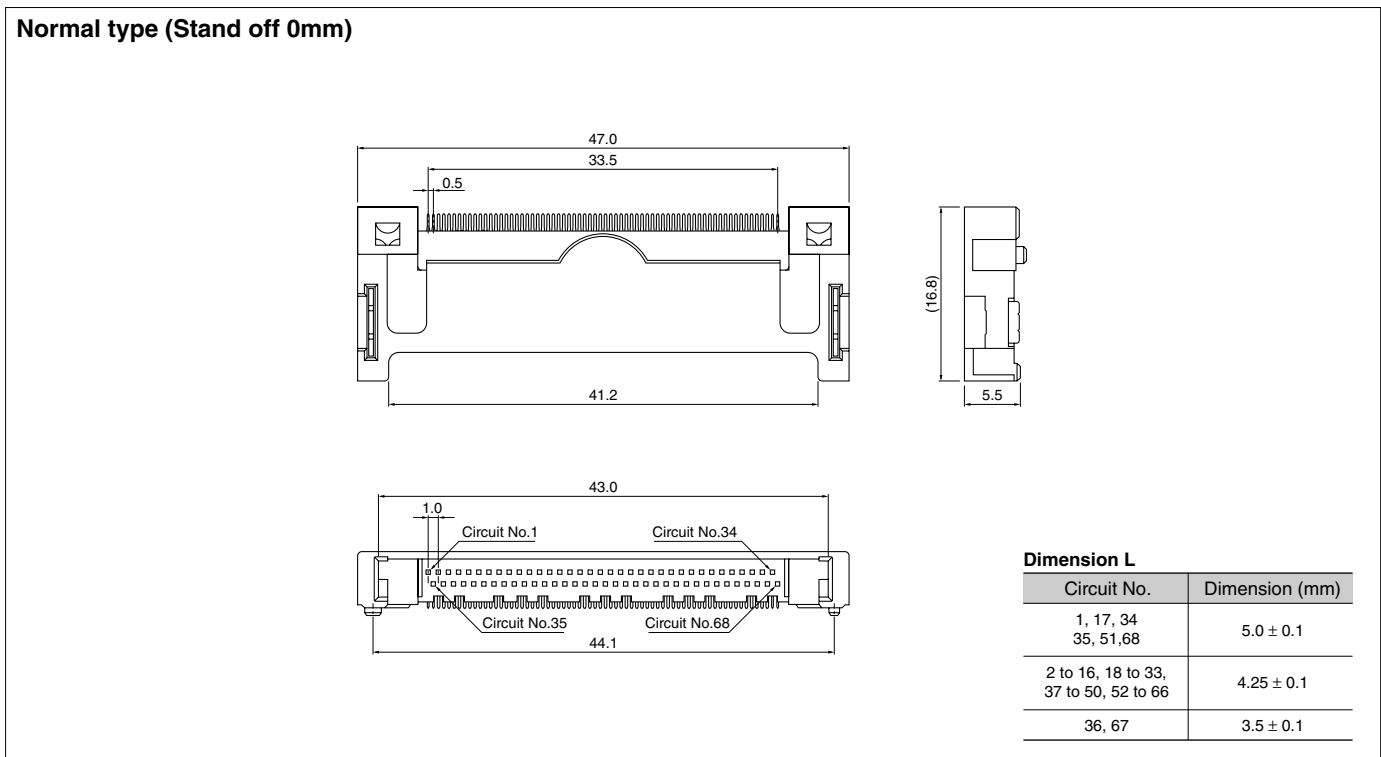
Socket



Circuits	Model No.	Q'ty / box	Material and Finish
68	ICM-MB68S-TS13-5000	600	Contact: Beryllium copper, nickel-undercoated Mating section...Gold-plated Solder tail...Tin/lead-plated Housing: PA6T, UL94V-0

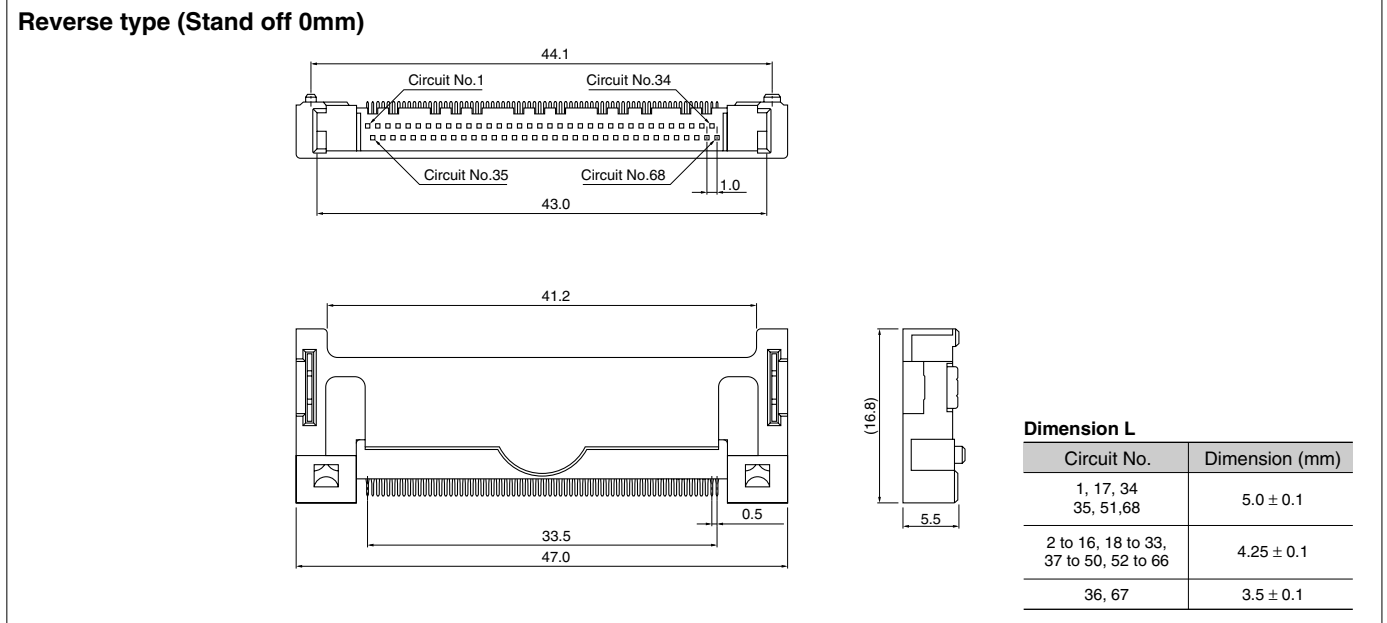
RoHS compliance This product displays (LF)(SN) on a label.

Header



SMALL PC CARD CONNECTOR MB TYPE

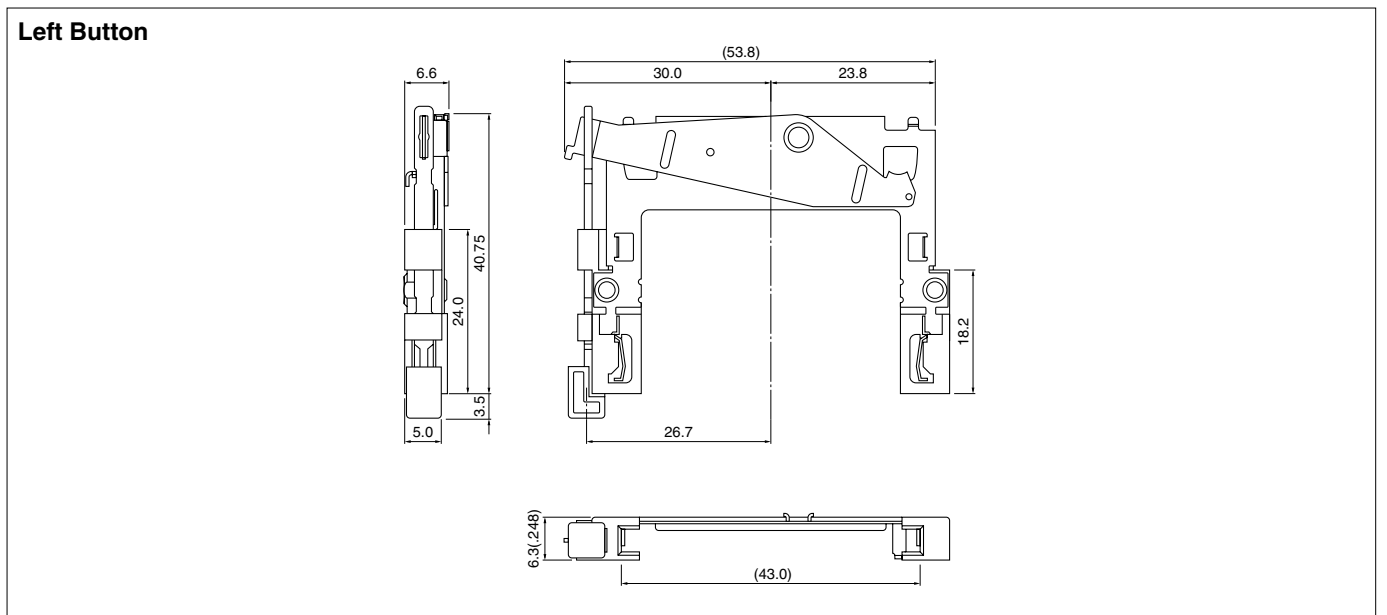
Header



Circuits	Type	Model No.	Q'ty / box	Material and Finish
68	Normal	ICM-MB68H-S153-400N	168	Contact: Phosphor bronze, nickel-undercoated, Mating section...Gold-plated Solder tail...Tin/lead-plated Housing: Glass-filled PPS, UL94V-0, Normal...black Reverse...brown Solder tab: Brass, nickel-undercoated, tin/lead-plated
	Reverse	ICM-MB68H-S153-400R	168	

RoHS compliance This product displays (LF)(SN) on a label.

Ejector



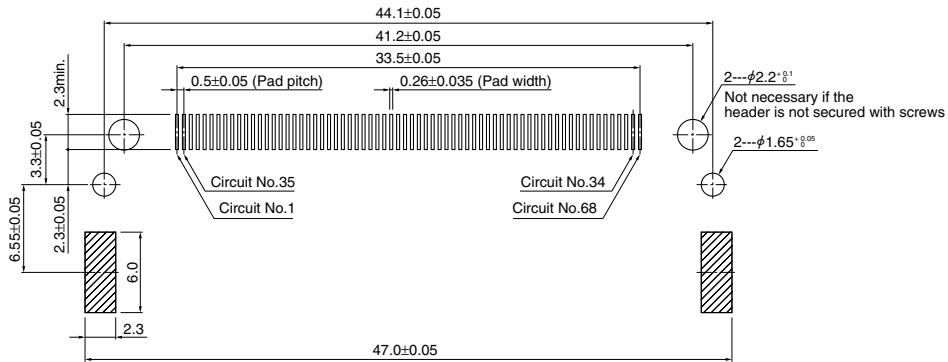
Type	Model No.	Q'ty / box	Material
Left button	ICM-MBE-L-300HA	70	Frame, Rotating arm, Push bar: Stainless steel Guide bar, Push button: Glass filled PBT, UL94V-0 Eyelet with nut: Brass, nickel-plated.

RoHS compliance

SMALL PC CARD CONNECTOR MB TYPE

PC board layout (viewed from component side)

Normal type (Stand off 0mm)



Reverse type (Stand off 0mm)

