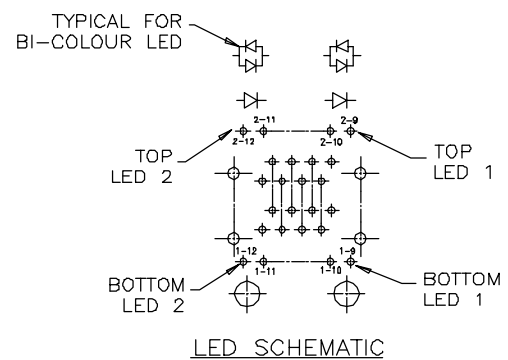
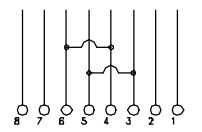
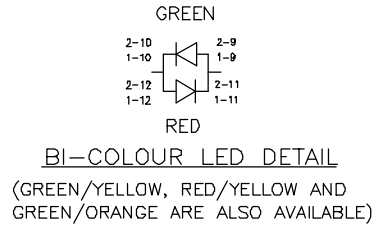
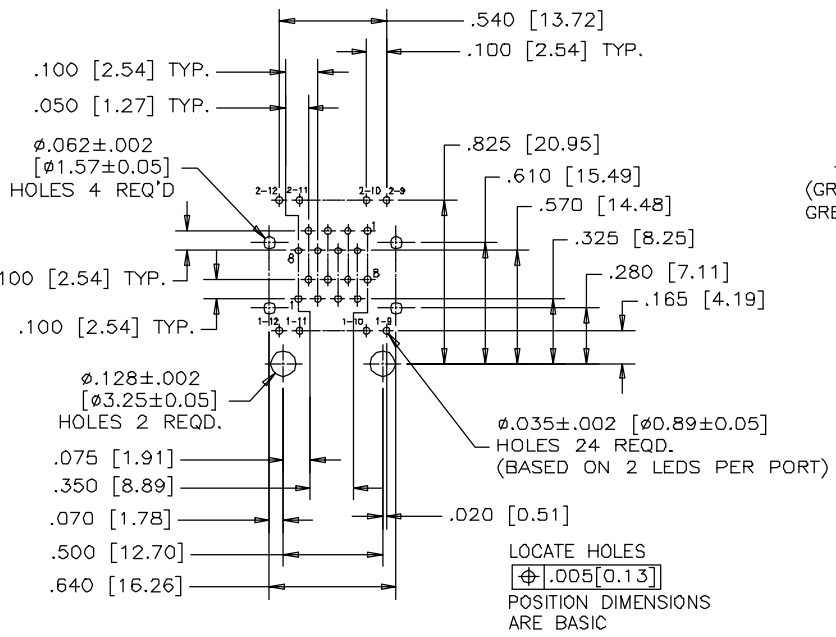
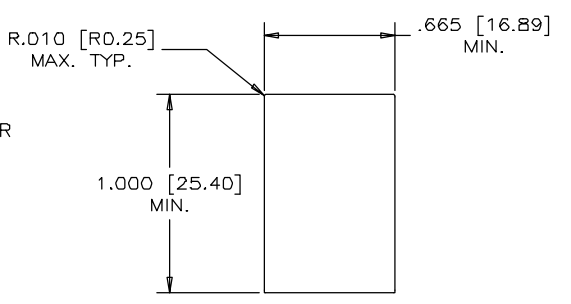
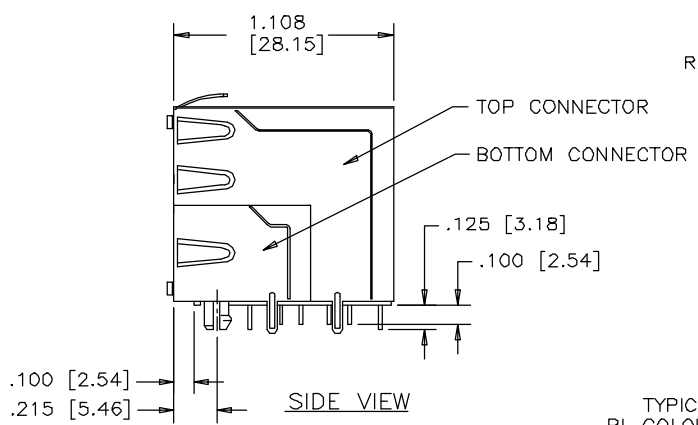
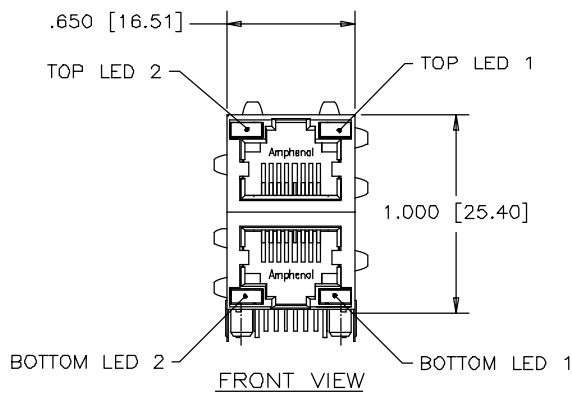


REVISIONS				
SYM	ZONE	ECN, ERN NO.	DATE	APPRD.
A		PROPOSAL	00/05/11	

THIS IS A CAD DRAWING. DO NOT MANUALLY REVISE.



- MATERIALS:**
- HOUSING: ENGINEERING THERMOPLASTIC. FLAMMABILITY RATING UL 94V-0
 - CONTACTS: PHOSPHOR BRONZE
PLATING: 50µ" [1.27 MICRONS] MIN. GOLD OVER MATING SURFACES. 50µ" [1.27 MICRONS] MIN. NICKEL UNDERPLATE. 100µ" MIN. TIN/LEAD ON CONTACT AILS.
 - SHIELD: COPPER ALLOY
PLATING: TIN/LEAD ALLOY

PART NUMBER: RJSA-538X-R2

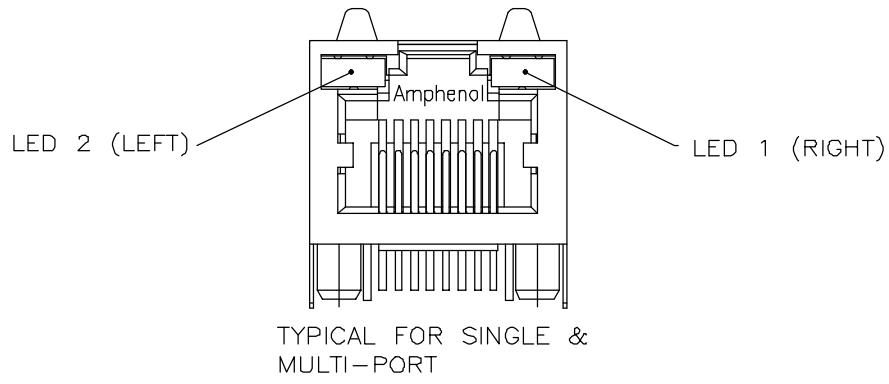
REFER TO LED OPTIONS DRAWING FOR ORDERING CODES

DRAWN L.CHAN		DATE 00/05/09	Amphenol Canada Corp.	
DESIGNED L.CHAN		00/05/09		
CHECKED R.PIKE		00/05/11	TITLE 2x1 STACKABLE MODULAR JACK (8 POS. 8 CONTACTS, WITH LEDS AND SHIELD) (#3,5 AND #4,6 SHORTED, 2 PIECE CONSTRUCTION)	
I. E. APPRD.				
Q. A. APPRD.				
DWG. APPRD.				
ENG. REL. NO.			DWG DRAWING NO.	REV.
REF. EAR# 11004			P-RJSA-538X-R2	A
DIMENSIONS ARE IN INCHES [mm]		03554	SCALE	WT. ----- SURF. ----- SHEET 1 OF 1

THIS DOCUMENT CONTAINS PROPRIETARY INFORMATION AND SUCH INFORMATION MAY NOT BE DISCLOSED TO OTHERS FOR ANY PURPOSE OR USED FOR MANUFACTURING PURPOSES WITHOUT WRITTEN PERMISSION FROM AMPHENOL CANADA CORP.

REVISIONS				
SYM	ZONE	ECN, ERN NO.	DATE	APPRD.
D		ADDED SPECIFICATIONS	00/06/05	

THIS IS A CAD DRAWING. DO NOT MANUALLY REVISE.



LED SPECIFICATIONS:
 FORWARD VOLTAGE: 2.1 VOLTS TYP.
 REVERSE VOLTAGE: 5.0 VOLTS MIN.
 LUMINOUS INTENSITY: 0.5 mCd MIN.
 (AT If=2mA)
 STORAGE TEMPERATURE: -20° TO 85° C
 LEAD SOLDERING TEMPERATURE: 260° C
 (5 SEC, 1/16" FROM CASE)
 PLATING ON TAILS: TIN-LEAD (90-10) ALLOY

EXAMPLE:

PART NUMBER RJHS-538X



LED COLOR CODE

CODE	LED 2 (LEFT)	LED 1 (RIGHT)	CODE	LED 2 (LEFT)	LED 1 (RIGHT)	CODE	LED 2 (LEFT)	LED 1 (RIGHT)
0	BLOCKED	BLOCKED	9	GREEN	BLOCKED	J	BiC RD/GR	YELLOW
1	YELLOW	GREEN	A	BiC GR/YE	BiC GR/YE	K	YELLOW	BiC GR/OR
2	BLOCKED	GREEN	B	BiC RD/GR	BiC RD/GR	L	BiC GR/YE	RED
3	YELLOW	BLOCKED	C	BiC RD/GR	BiC GR/YE	M	RED	YELLOW
4	GREEN	YELLOW	D	GREEN	BiC GR/YE	N	BiC RD/GR	BiC GR/YE
5	GREEN	GREEN	E	YELLOW	BiC GR/YE	P	GREEN	BiC RD/GR
6	YELLOW	YELLOW	F	BiC GR/YE	YELLOW	R	BiC GR/OR	GREEN
7	RED	GREEN	G	BiC GR/OR	BiC GR/OR	T	RED	RED
8	GREEN	RED	H	BiC GR/YE	GREEN	V	BiC RD/GR	GREEN
						W	ADDITIONAL OPTIONS	

PRIMARY COLOR FOR BI-COLOR
 LEDS IN STANDARD ANODE/
 CATHODE CONFIGURATION IS:
 RED-GREEN= RED
 RED-YELLOW= RED
 GREEN-YELLOW= GREEN
 GREEN-ORANGE= GREEN

LEGEND
 BiC=BI-COLOR LED
 YE=YELLOW
 GR=GREEN
 RD=RED
 OR=ORANGE

EXAMPLE OF ADDITIONAL LED OPTIONS:

PART NUMBER RJHS-538W-01Y

↑ ADDITIONAL LED COLOR CODE
 ↑ DENOTES ADDITIONAL LED OPTIONS

CODE	LED 2 (LEFT)	LED 1 (RIGHT)	CODE	LED 2 (LEFT)	LED 1 (RIGHT)
0	SEE STANDARD DESIGNATION		4	BLOCKED	RED
1	RED	BLOCKED	5	BLOCKED	YELLOW
2	BiC GR/OR	YELLOW	6	RED	BiC RD/GR
3	YELLOW	RED	7	BiC RD/GR	BiC YL/GR
			8	BiC RD/GR	BLOCKED

NOTE:
 THE TWO DIGITS PRECEDING THE
 ADDITIONAL LED CODE MUST BE
 USED IN THE PART NUMBER, WHEN
 ORDERING ANY OF THE ADDITIONAL
 LED OPTIONS.

DRAWN B. YOUNGSON	DATE 99/09/21	Amphenol Canada Corp.		
DESIGNED		TITLE		
CHECKED A. KARIR	99/10/25	LED OPTIONS FOR RJHS, SINGLE OR MULTI-PORT CONNECTORS		
I. E. APPRD.		DWG.	DRAWING NO.	REV. D
G. A. APPRD.		P-RJHS-LEDS		
DWG. APPRD.		SCALE	WT. -----	SURF. -----
ENG. REL. NO.		SHEET 1 OF 1		
REF.				
DIMENSIONS ARE IN INCHES [mm]		CODE ID. NO. 03554		

THIS DOCUMENT CONTAINS PROPRIETARY INFORMATION AND SUCH INFORMATION MAY NOT BE DISCLOSED TO OTHERS FOR ANY PURPOSE OR USED FOR MANUFACTURING PURPOSES WITHOUT WRITTEN PERMISSION FROM AMPHENOL CANADA CORP.