

PLEASE CHECK WWW.MOLEX.COM FOR LATEST PART INFORMATION

Part Number: [0553474065](#)
Status: **Active**
Description: HMC™ Rectangular Industrial Male Housing, Single-Module, 40 Circuits, Type B Polarization

Documents:

[Drawing \(PDF\)](#) [RoHS Certificate of Compliance \(PDF\)](#)
[Product Specification PS-54478-001 \(PDF\)](#)

Agency Certification

CSA LR19980
 UL E29179

General

Product Family I/O Connectors
 Series [55347](#)
 Application Panel-Mount, Wire-to-Wire
 Component Type Housing
 Product Name HMC™
 Type N/A

Physical

Boot Color N/A
 Circuits (Loaded) N/A
 Circuits (maximum) 40
 Durability (mating cycles max) 50
 Flammability 94V-0
 Gender Male
 Lock to Mating Part Yes
 Material - Plating Mating n/a
 Number of Rows 4
 Orientation Vertical
 PCB Locator No
 Packaging Type Bag
 Panel Mount N/A
 Pitch - Mating Interface (in) 0.177 In
 Pitch - Mating Interface (mm) 4.50 mm
 Pitch - Term. Interface (in) 0.177 In
 Pitch - Term. Interface (mm) 4.50 mm
 Polarized to Mating Part No
 Polarized to PCB N/A
 Ports 1
 Surface Mount Compatible (SMC) No
 Temperature Range - Operating -40°C to +125°C
 Termination Interface: Style N/A
 Waterproof / Dustproof Yes
 Waterproof / Dustproof Type IP65

Electrical

Current - Maximum per Contact 10A
 Shielded No
 Voltage - Maximum 300V DC

Material Info

Reference - Drawing Numbers

Product Specification PS-54478-001

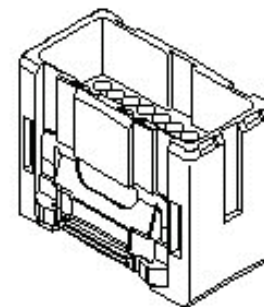


image - Reference only

Series

EU RoHS

ELV and RoHS Compliant
REACH SVHC
 Not Reviewed
Halogen-Free Status
 Not Reviewed

China RoHS



Need more information on product environmental compliance?

Email productcompliance@molex.com
 For a multiple part number RoHS Certificate of Compliance, [click here](#)

Please visit the [Contact Us](#) section for any non-product compliance questions.

Search Parts in this Series

[55347Series](#)

Mates With

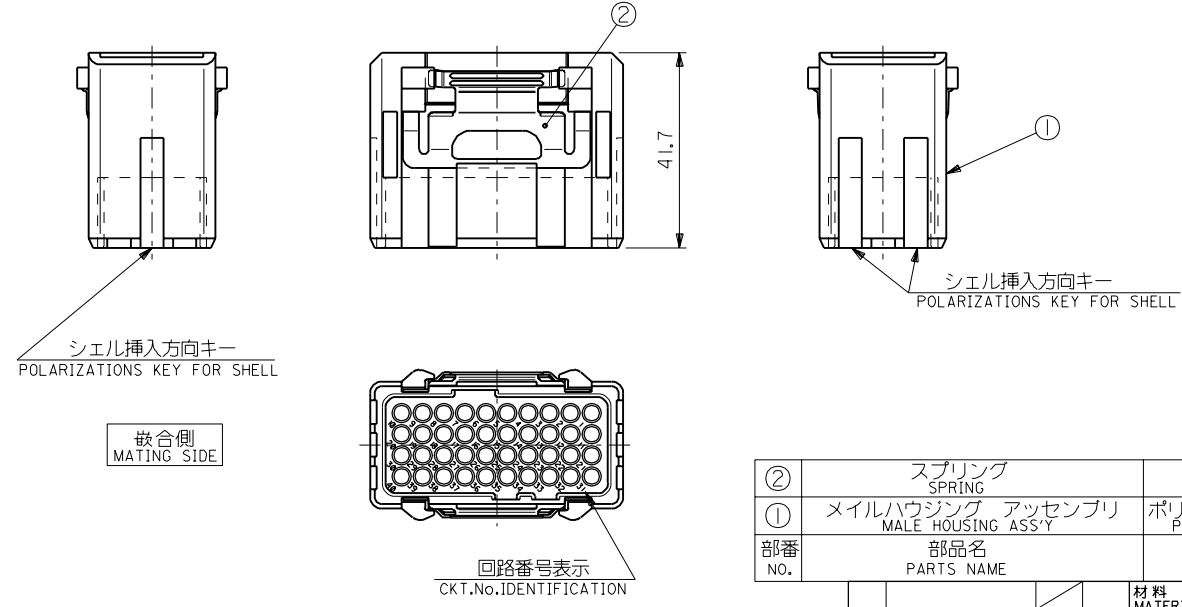
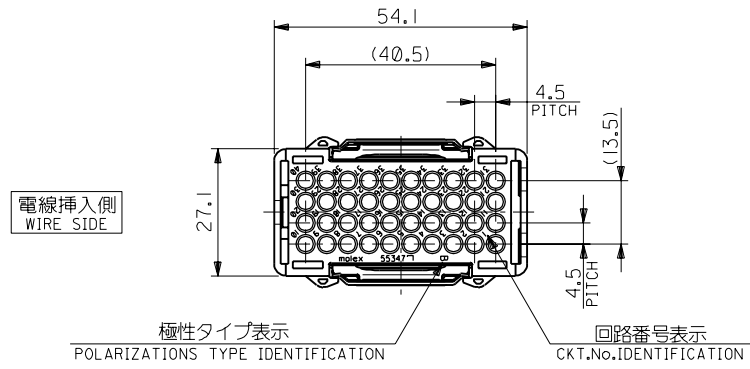
[54478-4065](#) housing

Use With

[58783-0011](#) panel-mount bracket, [55124](#) terminal, [58782-0011](#) hood bracket

This document was generated on 04/02/2010

PLEASE CHECK WWW.MOLEX.COM FOR LATEST PART INFORMATION



M+
NOTES

- 嵌合相手 : 54478-4065
MATES WITH : 54478-4065
- 適用端子 : 55124-4***
APPLICABLE PIN CONTACT : 55124-4***
- 適用シェルアッセンブリ
APPLICABLE SHELL ASS'Y
 プラグ : 58782-0011
 PLUG : 58782-0011
 リセプタクル : 58783-0011
 RECEPTACLE : 58783-0011

②	スプリング SPRING	ステンレス STAINLESS STEEL	2	55347-4065	40
①	メイルハウジング アッセンブリ MALE HOUSING ASS'Y	ポリカーボナイト UL94V-0 グレー POLYCARBONATE UL94V-0 GRAY	1		
部番 NO.	部品名 PARTS NAME	材質 MATERIAL	個数 QUAN.	製品番号 ENG. NO.	極数 CKTS.

材料 MATERIAL		表参照 SEE TABLE	
仕上げ FINISH		— #	
適用電線範囲 WIRE RANGE		— #	
被覆外径 INS. RANGE		— #	
DRAWN BY	CHK'D BY		
RELEASED (J090683)	Y.1		
REVISION RECORD	DR. DATE	APP'D	SCALE 1-1
一般公差 GENERAL TOLERANCES	記号 LTR	変更内容 REVISION RECORD	尺 DATE

molex MOLEX-JAPAN CO.,LTD.
日本モレックス株式会社

REVISE ONLY ON CAD SYSTEM

TITLE 名称
ROBOT CONN.
MALE HS'G ASS'Y
(嵌合極性タイプ B)
(MATING POLARIZATIONS TYPE B)

DWG. NO. SD-55347-4065

REV 0