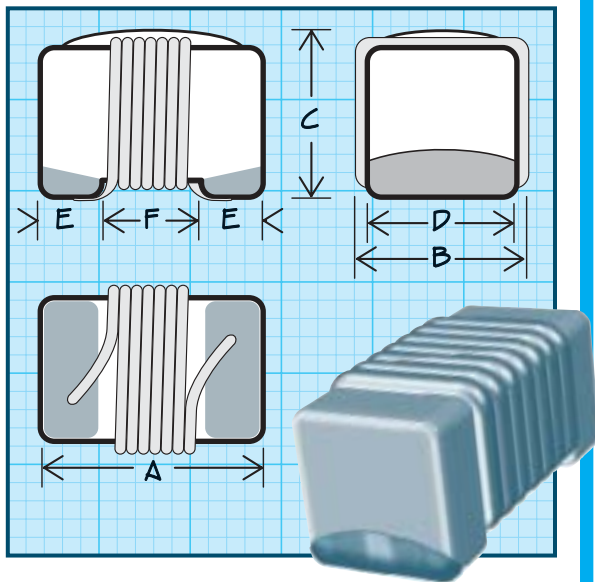


# Series 1008WW Wirewound Surface Mount Inductors



## Physical Parameters

	Inches	Milimeters
A	0.110 Max.	2.80 Max.
B	0.104 Max.	2.65 Max.
C	0.084 Max.	2.15 Max.
D	0.079 (Ref. only)	2.00 (Ref. only)
E	0.020 (Ref. only)	0.50 (Ref. only)
F	0.056 (Ref. only)	1.43 (Ref. only)

**Operating Temperature Range** -40°C to +125°C

**Standard Termination** 90/10 Solder plating;  
Optional Gold Termination is available specify by  
suffixing the part number with the letter G

**Inductance and Q** tested on HP4291A using  
HP16193A test fixture

**Packaging** Tape & reel (8mm): 7" reel,  
2000 pieces max. Custom reel available.

PART NUMBER	SERIES 1008WW CERAMIC CORE						
	INDUCTANCE (nH) ±10%	INDUCTANCE TEST FREQUENCY (MHz)	Q MINIMUM	Q TEST FREQUENCY (MHz)	SRF MINIMUM (MHz)	DC RESISTANCE MAXIMUM (OHMS)	CURRENT RATING MAXIMUM (mA)
1008WW-10NK	10	50	60	500	4100	0.05	1000
1008WW-12NK	12	50	60	500	3300	0.09	1000
1008WW-15NK	15	50	60	500	2500	0.13	1000
1008WW-18NK	18	50	60	350	2500	0.08	1000
1008WW-22NK	22	50	60	350	2400	0.13	1000
1008WW-27NK	27	50	60	350	1600	0.12	1000
1008WW-33NK	33	50	65	350	1600	0.14	1000
1008WW-39NK	39	50	65	350	1500	0.15	1000
1008WW-47NK	47	50	68	350	1500	0.16	1000
1008WW-56NK	56	50	68	350	1300	0.18	1000
1008WW-68NK	68	50	68	350	1300	0.21	1000
1008WW-82NK	82	50	68	350	1200	0.22	1000
1008WW-101K	100	25	62	350	1000	0.35	750
1008WW-121K	120	25	62	350	950	0.38	750
1008WW-151K	150	25	46	100	850	0.40	750
1008WW-181K	180	25	48	100	750	0.42	750
1008WW-221K	220	25	48	100	700	0.54	600
1008WW-271K	270	25	48	100	600	0.50	600
1008WW-331K	330	25	48	100	570	0.70	550
1008WW-391K	390	25	48	100	500	0.72	550
1008WW-471K	470	25	48	100	450	0.95	520
1008WW-561K	560	25	48	100	415	1.20	420
1008WW-621K	620	25	48	100	375	1.30	320
1008WW-681K	680	25	48	100	375	1.40	400
1008WW-751K	750	25	48	100	360	1.50	370
1008WW-821K	820	25	48	100	350	1.52	400
1008WW-911K	910	25	48	50	330	2.00	350
1008WW-102K	1000	25	44	50	310	2.08	340
1008WW-122K	1200	7.9	35	50	245	2.00	310
1008WW-152K	1500	7.9	28	50	200	2.30	330
1008WW-182K	1800	7.9	28	50	155	2.50	300
1008WW-222K	2200	7.9	28	50	145	2.70	280
1008WW-272K	2700	7.9	22	25	110	3.00	290
1008WW-332K	3300	7.9	22	25	100	3.30	290
1008WW-392K	3900	7.9	20	25	90	3.60	260
1008WW-472K	4700	7.9	20	25	80	3.80	260

Optional Tolerances: J = 5% H = 3% G = 2%