

AmPAL18P8

20-Pin IMOX™ Programmable Array Logic

Distinctive Characteristics

- Individually programmable output polarity on each output
- Pin compatible superset of most combinatorial 20-pin PAL devices
- Eight logical product terms per output for increased logic power
- Increased input/output flexibility
 - 18 possible array inputs
 - Eight bidirectional I/Os with individually controllable output enable
- Ultra high-speed version $t_{PD} = 15$ ns maximum
- Superior quality
 - AC and DC parametric testing performed on every part
 - Extensive on-chip test circuitry ensures post-programming functional yield (PPFY) of 99.9%
- Platinum-Silicide fuses ensure high programming yield > 98%, fast programming and unsurpassed reliability
- Replaces 13 combinatorial 20-Pin PAL devices

General Description

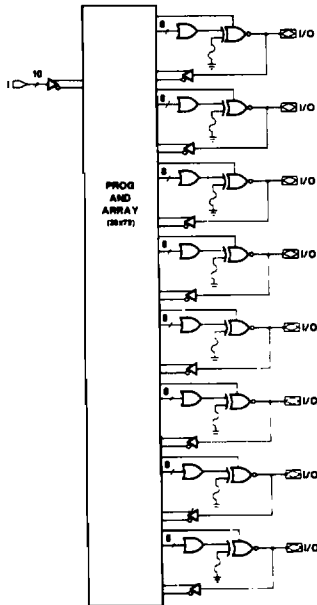
The AmPAL18P8 is an ultra high-performance, functionally enhanced 20-pin Programmable Array Logic element. It utilizes the familiar sum-of-products (AND-OR) structure allowing users to program custom logic functions to precisely fit their application.

The AmPAL18P8 offers significantly enhanced functional capabilities when compared to other combinatorial 20-pin PAL devices. These include two additional bidirectional I/O pins as well as additional product terms (bringing each output to eight logical and one three-state control product

term) for extra logic power. The device also features individually user programmable output polarity, giving the designer the capability to handle both active HIGH and active LOW outputs on the same device.

A wide variety of speed/power selections is available, allowing precise matching to system requirements. The ultra high-speed version offers 15 ns maximum input to output propagation delay, opening up many new applications for the use of programmable logic.

Block Diagram



PRODUCT SELECTOR GUIDE

Family Part No.	AmPAL18P8									
	Quarter Power		Half Power				Full Power			
Ordering Part No.	18P8Q	18P8L	18P8AL	18P8A	18P8B					
Speed Grade	Standard Speed				High Speed				Ultra High Speed	
Max. Access Time (ns)	STD	APL	STD	APL	STD	APL	STD	APL	STD	APL
	35	40	35	40	25	30	25	30	15	20
Max. Operating Current (mA)	55		90				180			

STD = AMD "Standard" products

APL = AMD "Approved Products List" products

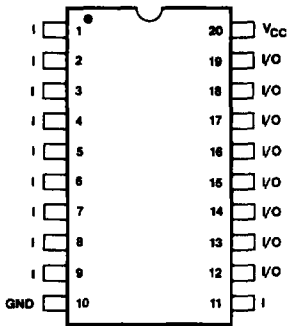
BD005942

05799E/0
JANUARY 1988

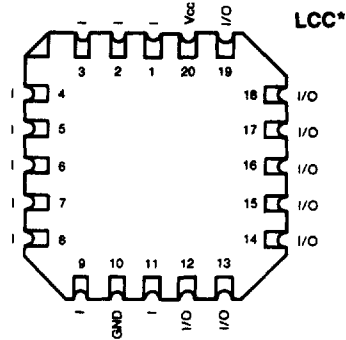
AmpPAL18P8

Connection Diagrams

Top View



CD009210



CD009220

Note: Pin 1 is marked for orientation.

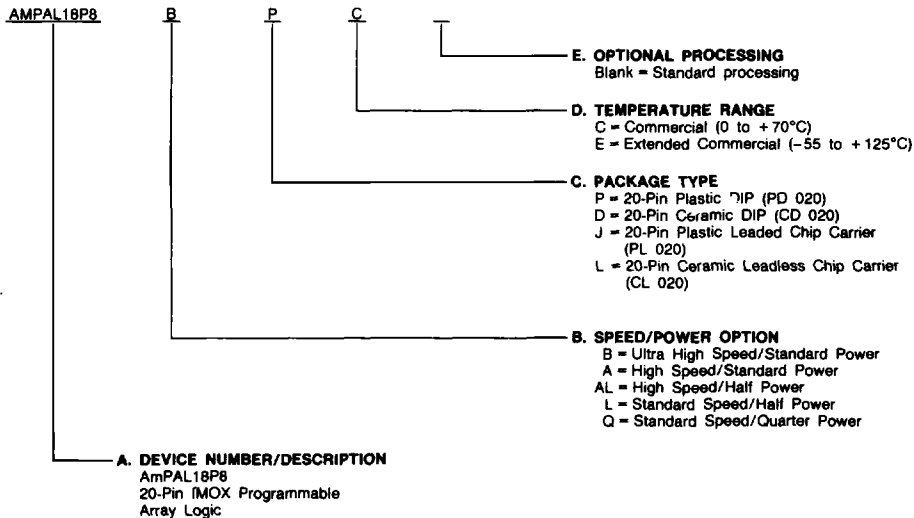
*Same Pinouts apply for PLCC.

Ordering Information

Standard Products

AMD standard products are available in several packages and operating ranges. The order number (Valid Combination) is formed by a combination of:

- A. Device Number
- B. Speed/Power Option
- C. Package Type
- D. Temperature Range
- E. Optional Processing



5

Valid Combinations	
AMPAL18P8B	PC, DC, DE, JC, LC, LE
AMPAL18P8A	
AMPAL18P8AL	
AMPAL18P8L	
AMPAL18P8Q	

Valid Combinations

Valid Combinations list configurations planned to be supported in volume for this device. Consult the local AMD sales office to confirm availability of specific valid combinations, to check on newly released combinations, and to obtain additional data on AMD's standard military grade products.

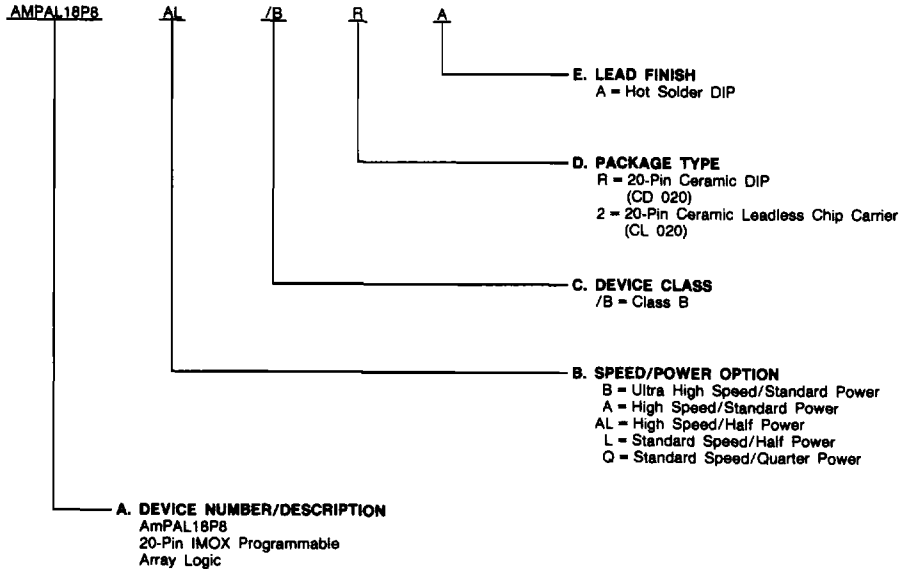
AmPAL18P8

Ordering Information (Cont'd.)

APL Products

AMD products for Aerospace and Defense applications are available in several packages and operating ranges. APL (Approved Products List) products are fully compliant with MIL-STD-883C requirements. The order number (Valid Combination) for APL products is formed by a combination of:

- A. Device Number
- B. Speed/Power Option
- C. Device Class
- D. Package Type
- E. Lead Finish



Valid Combinations	
AMPAL18P8B	/BRA, /B2A
AMPAL18P8A	
AMPAL18P8AL	
AMPAL18P8L	
AMPAL18P8Q	

Valid Combinations

Valid Combinations list configurations planned to be supported in volume for this device. Consult the local AMD sales office to confirm availability of specific valid combinations or to check for newly released valid combinations.

Group A Tests

Group A tests consist of Subgroups
 1, 2, 3, 7, 8, 9, 10, 11

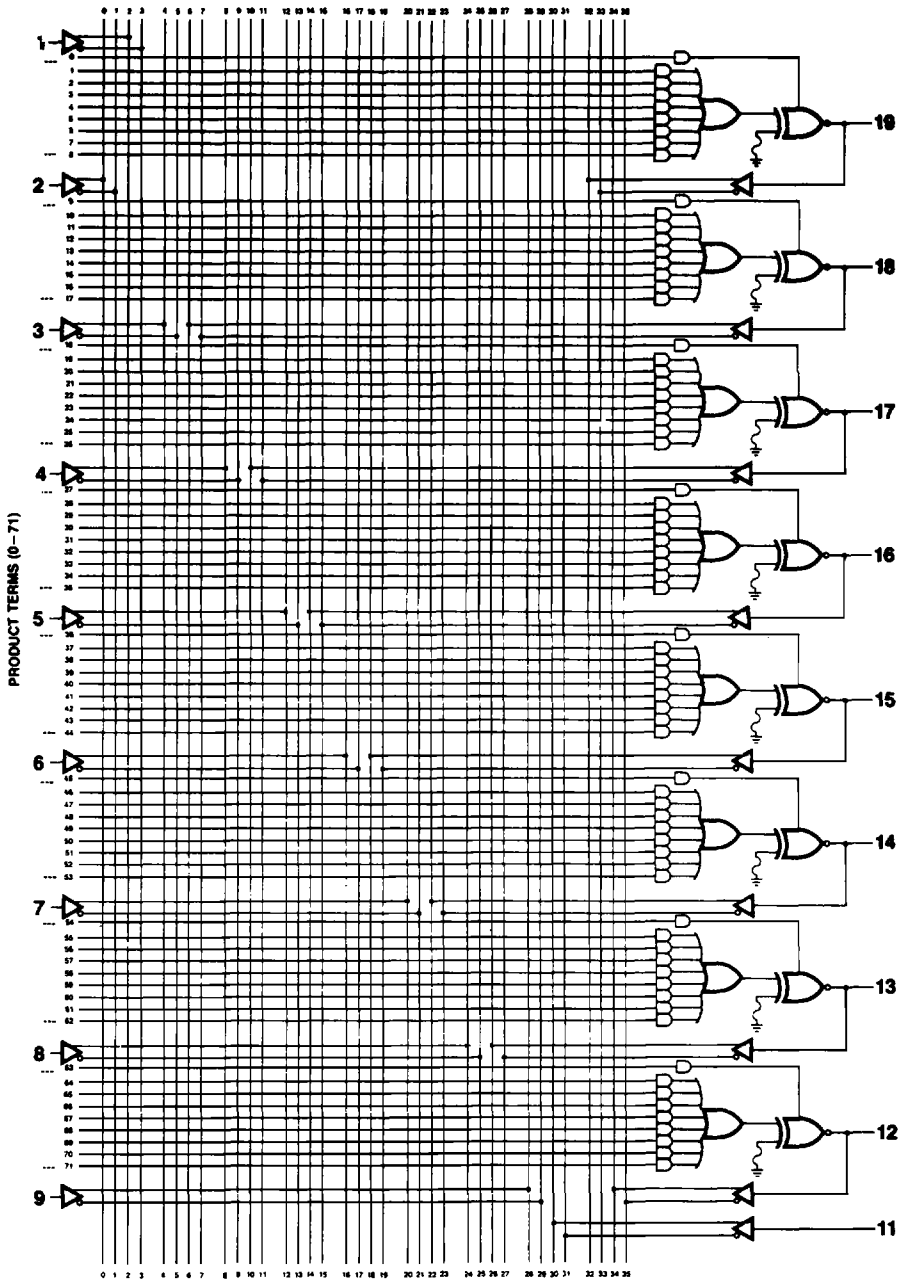
The AmPAL18P8 can be used as a functional and pin-for-pin replacement for each of the following 20-pin devices:

- | | |
|---------|---------|
| PAL10H8 | PAL14L4 |
| PAL12H6 | PAL16L2 |
| PAL14H4 | PAL16P8 |
| PAL16H2 | |
| PAL10L8 | |
| PAL12L6 | |

AmPAL18P8

Logic Diagram

INPUTS (0-35)



5

- | | |
|------------------------------|--|
| Eighteen Array Inputs | Eight 8-Wide AND-OR Structures |
| - 10 dedicated | - Combinatorial outputs |
| - 8 bidirectional I/O | - Programmable output enable for each output |
| | - Programmable polarity on each output |

LD000040

Functional Description

The AmPAL18P8 is a functionally enhanced Programmable Array Logic (PAL) device. The Block Diagram on page ?? shows the basic architecture of the AmPAL18P8. There are up to eighteen inputs and eight outputs available. The inputs are connected to a programmable AND array which contains 72 logical product terms. Initially the AND gates are connected, via fuses, to both the true and complement of every input. By selective programming of fuses, the AND gates may be "connected" to only the true input (by blowing the complement fuse) or to neither type of input (by blowing both fuses), establishing a logical "don't care." When both the true and complement fuses are left intact, a logical false results on the output of the AND gate. An AND gate with all fuses blown will assume the logical true state.

The AmPAL18P8 has a possible maximum of 18 input pins, two more than previous 20-pin PAL devices. The extra inputs extend the functional capabilities of the device, which reduces design limitations, making it easier to design with and more flexible.

The AmPAL18P8 can be programmed with more complex logic equations due to the eight product terms and one control term for each output. The control terms also allow for each of the eight bi-directional I/Os to be three-stated, greatly expanding the realm of design possibilities.

The eight bi-directional I/O pins enhance the usefulness of the AmPAL18P8 by allowing for greater complexity of logic equations and hence more logic power.

The AmPAL18P8 also has programmable output polarity,

giving the designer the choice of either active HIGH or active LOW on each of the eight outputs. This simplifies the task of programming the AmPAL18P8 and allows more freedom in optimizing the logic functions. The high-speed version of the AmPAL18P8 boasts 15 ns maximum input-to-output propagation delay, and creates new possibilities for the use of programmable logic devices in a wide variety of applications.

The AmPAL18P8 is manufactured using Advanced Micro Devices' IMOX oxide isolation process. This advanced process permits an increase in density and a decrease in internal capacitance, resulting in the fastest possible programmable logic devices. The AmPAL18P8 is fabricated with AMD's fast-programming, highly reliable Platinum-Silicide Fuse technology. Utilizing an easily implemented programming algorithm, these products can be rapidly programmed to any customized pattern.

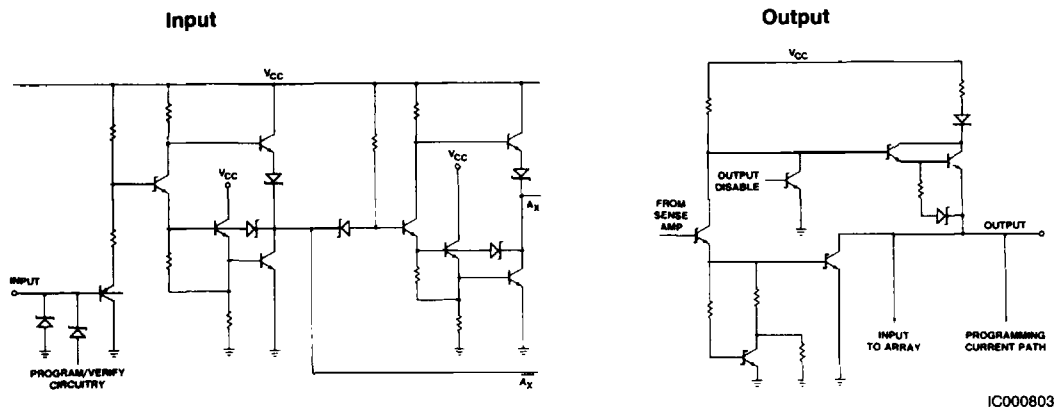
Platinum-Silicide was selected as the fuse-link material to achieve a well-controlled melt rate, resulting in large non-conductive gaps that ensure very stable, long-term reliability. Extensive operating testing has proven that this low-field, large gap technology offers high reliability.

The AmPAL18P8 has been designed with extensive internal test circuitry that allows the programming and operating circuitry in the part to be thoroughly tested at the factory before programming. This assures excellent programming yield and functional performance to data sheet parameters after programming. The Post-Programming Functional Yield (PPFY) for this device is consistently better than 99.9%.

Programmer/Development Systems

Refer to Programmer Reference Guide

Input/Output Diagrams



AmPAL18P8

Absolute Maximum Ratings

Storage Temperature	-65 to +150°C
Supply Voltage	
with Respect to Ground	-0.5 to +7.0 V
DC Voltage Applied to Outputs	
(except during programming).....	-0.5 to +V _{CC} Max.
DC Voltage Applied to	
Outputs During Programming	16 V
Output Current Into Outputs	
During Programming	
(Maximum duration of 1 second)	200 mA
DC Input Voltage	-0.5 to +5.5 V
DC Input Current	-30 to +5.0 mA

Stresses above those listed under ABSOLUTE MAXIMUM RATINGS may cause permanent device failure. Functionality at or above these limits is not implied. Exposure to absolute maximum ratings for extended periods may affect device reliability.

Operating Ranges

Commercial (C) Devices	
Temperature (T _A)	0 to +75°C
Supply Voltage (V _{CC})	+4.75 to +5.25 V
Extended Commercial (E) Devices	
Temperature (T _A)	-55°C Min.
Temperature (T _C)	+125°C Max.
Supply Voltage (V _{CC})	+4.50 to +5.50 V
Military (M) Devices	
Temperature (T _A)	-55°C Min.
Temperature (T _C)	+125°C Max.
Supply Voltage (V _{CC})	+4.50 to +5.50 V

Operating ranges define those limits between which the functionality of the device is guaranteed.

DC Characteristics over operating range unless otherwise specified; included in Group A, Subgroup 1, 2, 3 tests unless otherwise noted

Parameter Symbol	Parameter Description	Test Conditions			Min.	Typ. (Note 1)	Max.	Units
V _{OH}	Output HIGH Voltage	V _{CC} = Min., V _{IN} = V _{IH} or V _{IL}	I _{OH} = -3.2 mA	18P8A, 18P8B 18P8L, 18P8AL	COM'L	2.4	3.5	Volts
			I _{OH} = -2 mA	18P8Q				
			I _{OH} = -2 mA	(all versions)	MIL			
			I _{OL} = 24 mA	18P8A, 18P8B 18P8L, 18P8AL	COM'L			
I _{OL} = 12 mA	18P8Q							
V _{OL}	Output LOW Voltage	V _{CC} = Min., V _{IN} = V _{IH} or V _{IL}	I _{OL} = 12 mA	A, B, AL, L	MIL	0.50	Volts	
			I _{OL} = 8 mA	18P8Q				
V _{IH} (Note 2)	Input HIGH level	Guaranteed Input Logical HIGH Voltage for All Inputs			2.0			Volts
V _{IL} (Note 2)	Input LOW level	Guaranteed Input Logical LOW Voltage for All inputs					0.8	Volts
I _{IL}	Input LOW Current	V _{CC} = Max., V _{IN} = 0.40 V				-20	-100	µA
I _{IH}	Input HIGH Current	V _{CC} = Max., V _{IN} = 2.7 V					25	µA
I _I	Input HIGH Current	V _{CC} = Max., V _{IN} = 5.5 V					1.0	mA
I _{SC}	Output Short Circuit Current	V _{CC} = Max., V _{OUT} = 0.5 V (Note 3)			-30	-60	-90	mA
I _{CC}	Power Supply Current	V _{CC} = Max.	I _{CC} = 180	18P8A, 18P8B 18P8L, 18P8AL			180	mA
			I _{CC} = 90	18P8Q			90	
			I _{CC} = 55				55	
V _I	Input Clamp Voltage	V _{CC} = Min., I _{IN} = -18 mA				-0.9	-1.2	Volts
I _{OZH}	Output Leakage Current	V _{CC} = Max., V _{IN} = V _{IL} or V _{IH}	V _O = 2.7 V				100	µA
I _{OZL}			V _O = 0.4 V				-250	

- Notes: 1. Typical limits are at V_{CC} = 5.0 V and T_A = 25°C.
2. These are absolute values with respect to device ground and all overshoots due to system or tester noise are included.
3. Not more than one output should be tested at a time. Duration of the short circuit should not be more than one second. V_{OUT} = 0.5 V has been chosen to avoid test problems caused by tester ground degradation.

Capacitance

Parameter Symbol	Parameter Description	Test Conditions	Typ.	Units
C _{IN}	Input Capacitance	V _{IN} = 2.0 V @ f = 1 MHz	6	pF
C _{OUT}	Output Capacitance	V _{OUT} = 2.0 V @ f = 1 MHz	9	

Note: These parameters are not 100% tested, but are evaluated at initial characterization and at any time the design is modified where capacitance may be affected.

5

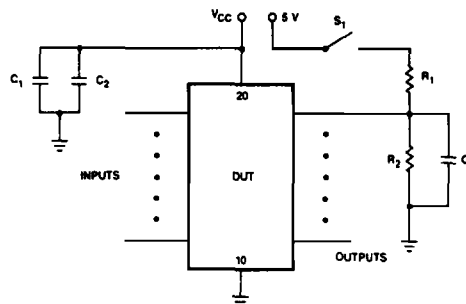
AmPAL18P8

Key to Switching Waveforms

WAVEFORM	INPUTS	OUTPUTS
	MUST BE STEADY	WILL BE STEADY
	MAY CHANGE FROM H TO L	WILL BE CHANGING FROM H TO L
	MAY CHANGE FROM L TO H	WILL BE CHANGING FROM L TO H
	DON'T CARE. ANY CHANGE PERMITTED	CHANGING. STATE UNKNOWN
	DOES NOT APPLY	CENTER LINE IS HIGH IMPEDANCE "OFF" STATE

KS000010

Switching Test Circuit



TC003050

Note: C_1 and C_2 are to bypass V_{CC} to ground during testing.

Power Grade	TEST OUTPUT LOADS						
	R_1 (Ω)		R_2 (Ω)		C_L (pF)	C_1 (μ F)	C_2 (μ F)
	STD	APL	STD	APL	STD/APL	STD/APL	STD/APL
18P8B A AL L	200	390	390	750	50	0.1	0.01
18P8Q	390	600	750	1200	50	0.1	0.01

STD = AMD "Standard" products

APL = AMD "Approved Products List" products

Switching Characteristics

over operating range unless otherwise specified; included in Group A, Subgroup 9, 10, 11 tests unless otherwise noted

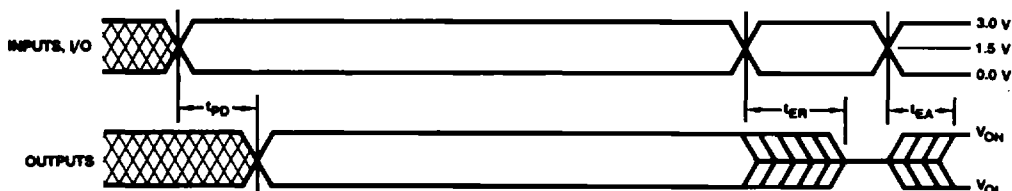
Parameter	Description	Commercial						Military/Extended						Units
		18P8B		18P8A/AL		18P8L/Q		18P8B		18P8A/AL		18P8L/Q		
		Typ.	Max.	Typ.	Max.	Typ.	Max.	Typ.	Max.	Typ.	Max.	Typ.	Max.	
t_{PD}	Input to Output Delay	12	15	15	25	25	35	12	20	15	30	25	40	ns
t_{EA}	Input to Output Enable	12	15	15	25	25	35	12	20	15	30	25	40	ns
t_{ER}	Input to Output Disable	12	15	15	25	25	35	12	20	15	30	25	40	ns

Notes: 1. Typical limits are at $V_{CC} = 5.0$ V and $T_A = 25^\circ\text{C}$.

2. t_{PD} is tested with switch S_1 closed and $C_L = 50$ pF.

3. For three-state output, output enable times are tested with $C_L = 50$ pF to the 1.5 V level; S_1 is open for high-impedance to HIGH tests and closed for high-impedance to LOW tests. Output disable times are tested with $C_L = 5$ pF. HIGH to high-impedance tests are made to an output voltage of $V_{OH} - 0.5$ V with S_1 open; LOW to high-impedance tests are made to the $V_{OL} + 0.5$ V level with S_1 closed.

Switching Waveform



WF021820