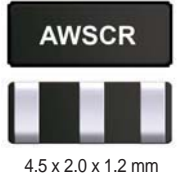


# INDUSTRIAL GRADE BUILT-IN CAPACITANCE CERAMIC RESONATOR

AWSCR-MR

Pb in ceramic  
(exempt per RoHS 2002/95/EC Annex (7))

**RoHS**  
Compliant



## FEATURES:

- Low resonant impedance
- High stability type
- Excellent environmental resistance
- Reflow capable
- Industrial grade
- Built-in load capacitance

## APPLICATIONS:

- Remote controls, Microprocessor clocks, Mobile phones, DVD & CD-Roms, Electric appliances, Industrial controllers

## ELECTRICAL CHARACTERISTICS:

Part Number (XX.XX denotes freq. in MHz)	Frequency Tolerance at 25°C	Frequency Stability at -20°C to +80°C	Aging in 10 years	Operating temperature
<b>AWSCR-XX.XXMRS</b> 4.00 MHz - 10.00 MHz	± 0.5%	± 0.3%	± 0.3%	-20° to +80°C
<b>AWSCR-XX.XXMRD</b> 4.00 MHz - 10.00 MHz	± 0.5%	± 0.3% ± 0.5% (-40C to 85C)	± 0.3%	-40° to +85°C
<b>AWSCR-XX.XXMRA</b> 4.00 MHz - 10.00 MHz	± 0.5%	± 0.3% ± 0.7% (-40C to 125C)	± 0.3%	-40° to +125°C

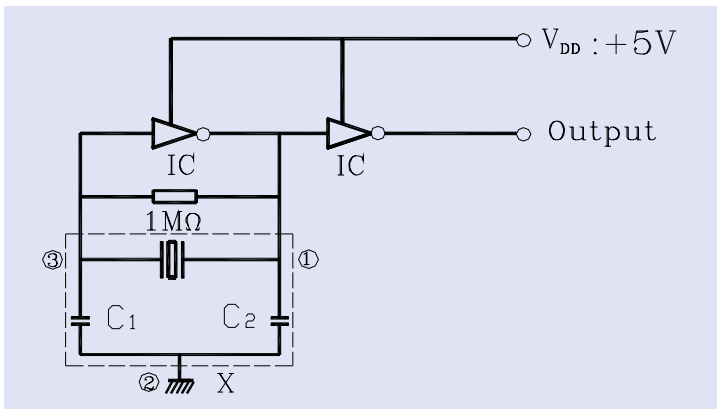
Storage temperature: -40°C to +125°C

Insulation resistance: 500Mohms min. at 10Vdc

Resonant impedance: 40Ω

Load Capacitance (C1=C2 pF): 15pF ± 20% (4~8MHz), 21pF ± 20% (8~10MHz)

## TEST CIRCUIT:



## OPTIONS & PART IDENTIFICATION:

[Left blank if standard]

**AWSCR - XX.XXMRY** - Packaging

**XX.XX**: Frequency in MHz

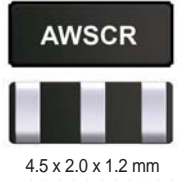
**Y**: S, D, or A

# INDUSTRIAL GRADE BUILT-IN CAPACITANCE CERAMIC RESONATOR

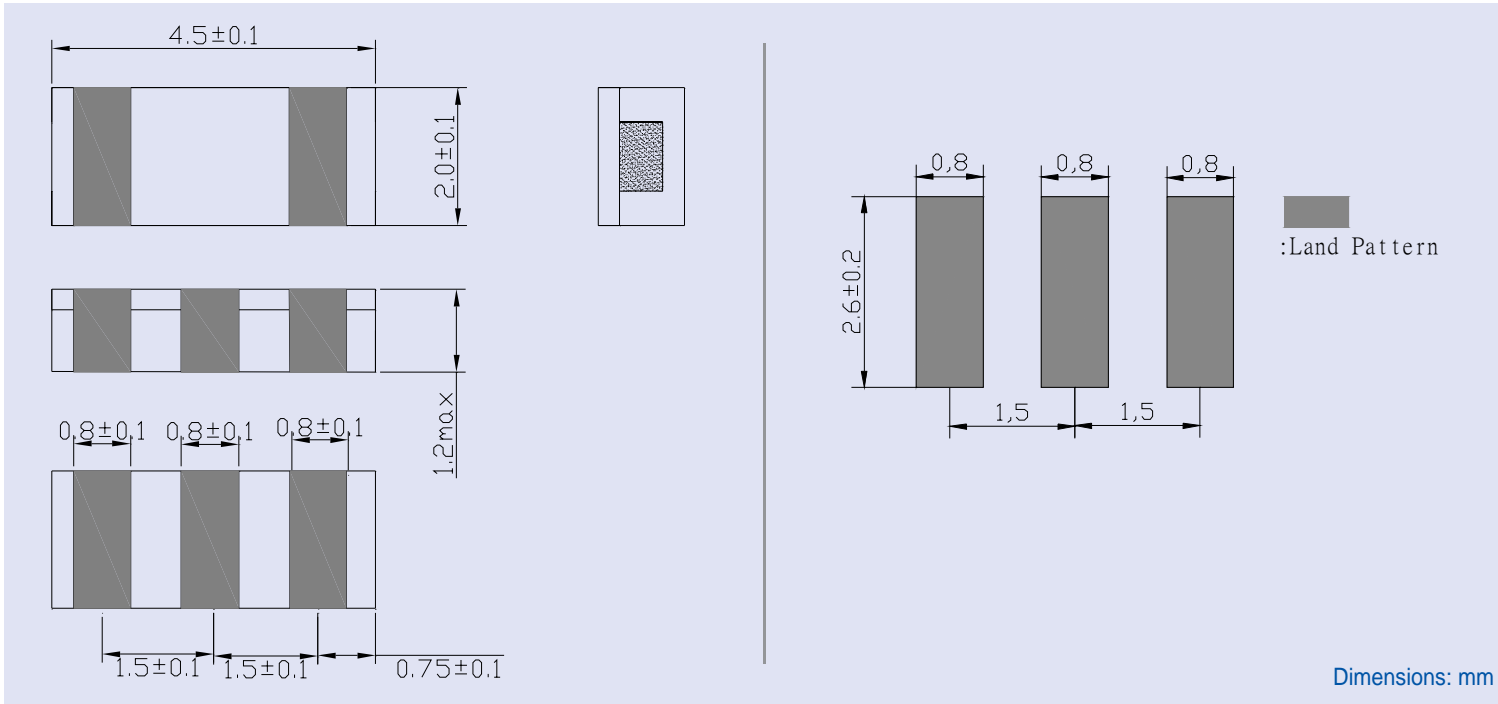
AWSCR-MR

Pb in ceramic  
(exempt per RoHS 2002/95/EC Annex (7))

**RoHS**  
Compliant



## OUTLINE DRAWING:



## TAPE & REEL:

