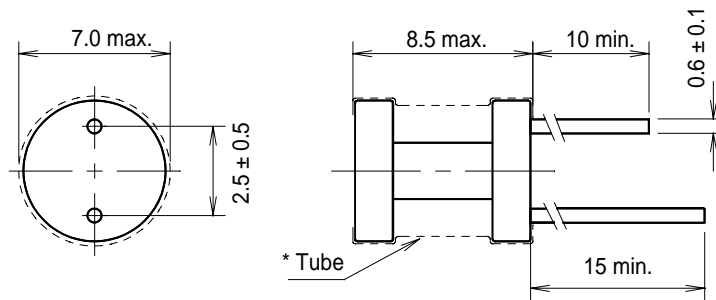


C2C Radial Type Choke Coils

DIMENSIONS (mm):



* $L \leq 270\mu\text{H}$ (UL Tube used), $L \geq 330\mu\text{H}$ (PVC Tube used)

* Length of the terminal pins does not include solder tips.

* Pin pitch to be measured from the root of the terminal.

Electrical Characteristics

TOKO Part No.	Inductance (μH)	Test Freq.	Qu min.	Test Freq.	DCR (Ω) max.	DCI (A) max.	SRF (MHz) ref.
C2C-A1R0M	1.0±20%	100 kHz	85	7.96 MHz	0.013	5.6	180
C2C-A1R2M	1.2±20%	100 kHz	95	7.96 MHz	0.015	4.8	160
C2C-A1R5M	1.5±20%	100 kHz	110	7.96 MHz	0.0165	4.2	140
C2C-A1R8M	1.8±20%	100 kHz	110	7.96 MHz	0.0185	3.8	120
C2C-A2R2M	2.2±20%	100 kHz	100	7.96 MHz	0.0205	3.4	95
C2C-A2R7M	2.7±20%	100 kHz	90	7.96 MHz	0.0245	3.2	80
C2C-A3R3M	3.3±20%	100 kHz	90	7.96 MHz	0.0265	3.0	70
C2C-A3R9M	3.9±20%	100 kHz	90	7.96 MHz	0.0305	2.6	45
C2C-A4R7M	4.7±20%	100 kHz	90	7.96 MHz	0.0365	2.3	40
C2C-A5R6M	5.6±20%	100 kHz	85	7.96 MHz	0.0415	2.1	33
C2C-A6R8M	6.8±20%	100 kHz	85	7.96 MHz	0.0485	1.9	30
C2C-A8R2M	8.2±20%	100 kHz	85	7.96 MHz	0.060	1.8	28
C2C-A100K	10±10%	1 kHz	65	2.52 MHz	0.065	1.7	25
C2C-A120K	12±10%	1 kHz	65	2.52 MHz	0.0815	1.5	22
C2C-A150K	15±10%	1 kHz	60	2.52 MHz	0.0975	1.3	20
C2C-A180K	18±10%	1 kHz	60	2.52 MHz	0.11	1.2	17
C2C-A220K	22±10%	1 kHz	60	2.52 MHz	0.13	1.0	15
C2C-A270K	27±10%	1 kHz	45	2.52 MHz	0.15	0.95	14
C2C-A330K	33±10%	1 kHz	45	2.52 MHz	0.16	0.88	12
C2C-A390K	39±10%	1 kHz	45	2.52 MHz	0.21	0.80	11
C2C-A470K	47±10%	1 kHz	45	2.52 MHz	0.25	0.75	10
C2C-A560K	56±10%	1 kHz	40	2.52 MHz	0.33	0.70	9.0
C2C-A680K	68±10%	1 kHz	40	2.52 MHz	0.41	0.62	7.5
C2C-A820K	82±10%	1 kHz	30	2.52 MHz	0.46	0.58	6.8
C2C-A101K	100±10%	1 kHz	20	796 kHz	0.38	0.40	6.5
C2C-A121K	120±10%	1 kHz	20	796 kHz	0.43	0.38	6.2
C2C-A151K	150±10%	1 kHz	20	796 kHz	0.55	0.33	5.4
C2C-A181K	180±10%	1 kHz	20	796 kHz	0.63	0.31	5.2
C2C-A221K	220±10%	1 kHz	15	796 kHz	0.73	0.28	4.7

TOKO Part No.	Inductance (μH)	Test Freq.	Qu Min.	Test Freq.	DCR (Ω) max.	DCI (A) max.	SRF (MHz) ref.
C2C-A271K	270 \pm 10%	1 kHz	15	796 kHz	0.88	0.26	4.3
C2C-A331K	330 \pm 10%	1 kHz	15	796 kHz	1.10	0.22	4.0
C2C-A391K	390 \pm 10%	1 kHz	25	796 kHz	1.4	0.20	3.5
C2C-A471K	470 \pm 10%	1 kHz	25	796 kHz	1.7	0.18	3.1
C2C-A561K	560 \pm 10%	1 kHz	25	796 kHz	2.0	0.17	2.6
C2C-A681K	680 \pm 10%	1 kHz	25	796 kHz	2.3	0.15	2.4
C2C-A821K	820 \pm 10%	1 kHz	25	796 kHz	2.6	0.14	2.2
C2C-A102K	1000 \pm 10%	1 kHz	60	252 kHz	3.2	0.13	2.2
C2C-A122K	1200 \pm 10%	1 kHz	70	252 kHz	4.2	0.12	1.9
C2C-A152K	1500 \pm 10%	1 kHz	70	252 kHz	5.2	0.11	1.7
C2C-A182K	1800 \pm 10%	1 kHz	90	252 kHz	6.8	0.10	1.6
C2C-A222K	2200 \pm 10%	1 kHz	90	252 kHz	7.9	0.090	1.5
C2C-A272K	2700 \pm 10%	1 kHz	90	252 kHz	9.8	0.080	1.3
C2C-A332K	3300 \pm 10%	1 kHz	90	252 kHz	12.0	0.070	1.2
C2C-A392K	3900 \pm 10%	1 kHz	90	252 kHz	15.0	0.065	1.1
C2C-A472K	4700 \pm 10%	1 kHz	90	252 kHz	17.0	0.055	1.0
C2C-A562K	5600 \pm 10%	1 kHz	70	252 kHz	22.0	0.052	0.82
C2C-A682K	6800 \pm 10%	1 kHz	65	252 kHz	25.0	0.048	0.76
C2C-A822K	8200 \pm 10%	1 kHz	65	252 kHz	29.0	0.044	0.71
C2C-A103K	10000 \pm 10%	1 kHz	70	79.6 kHz	33.0	0.040	0.65
C2C-A123K	12000 \pm 10%	1 kHz	70	79.6 kHz	44.0	0.036	0.55
C2C-A153K	15000 \pm 10%	1 kHz	70	79.6 kHz	52.0	0.032	0.51
C2C-A183K	18000 \pm 10%	1 kHz	65	79.6 kHz	69.0	0.028	0.44
C2C-A223K	22000 \pm 10%	1 kHz	65	79.6 kHz	80.0	0.026	0.40
C2C-A273K	27000 \pm 10%	1 kHz	70	79.6 kHz	94.0	0.022	0.37
C2C-A333K	33000 \pm 10%	1 kHz	60	79.6 kHz	138.0	0.020	0.36
C2C-A393K	39000 \pm 10%	1 kHz	60	79.6 kHz	156.0	0.018	0.34
C2C-A473K	47000 \pm 10%	1 kHz	60	79.6 kHz	178.0	0.016	0.31

◇ Testing Instrument

Inductance: HP4284 or Equivalent.

Q: HP4285A or Equivalent.

D.C.R: Keithley 580 Micro Ohm Meter or Equivalent.

S.R.F: HP4395A or Equivalent.

Rated Current: HP4284A, HP42841A, HPE3632A, HP34401A or Equivalent.

-Idc 1: The Current when the Inductance decreases to 90% of initial value. (Ta=25°C)

-Idc 2: The Current when the temperature of inductor increases by 40°C. (Ta=25°C)

The Rated Current indicates the smaller one between Idc 1 & Idc 2.

* Test Conditions of Inductance: 1.0 μH ~ 8.2 μH at 100kHz / 1V

10 μH ~ 47000 μH at 1kHz / 1V

* Test Conditions of Unloaded Q: 1.0 μH ~ 8.2 μH at 7.96MHz / 1V

10 μH ~ 82 μH at 2.52MHz / 1V

100 μH ~ 820 μH at 796kHz / 1V

1000 μH ~ 8200 μH at 252kHz / 1V

10000 μH ~ 47000 μH at 79.6kHz / 1V



TOKO INC.
HK Coil DIVISION

45 HOI YUEN ROAD, YAU LEE CENTRE, 7/F.,
KWUN TONG, KOWLOON, HONG KONG.
Tel: +852-2342 8131 Fax: +852-2341 9570