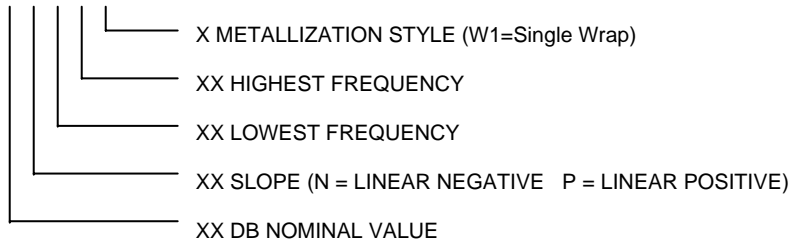


TITLE: SPECIFICATION CONTROL DRAWING

PART IDENTIFIER: CEXXXXXXXXXW1



DESCRIPTION: FIXED CHIP EQUALIZER

ASSEMBLY DWG: 1901964

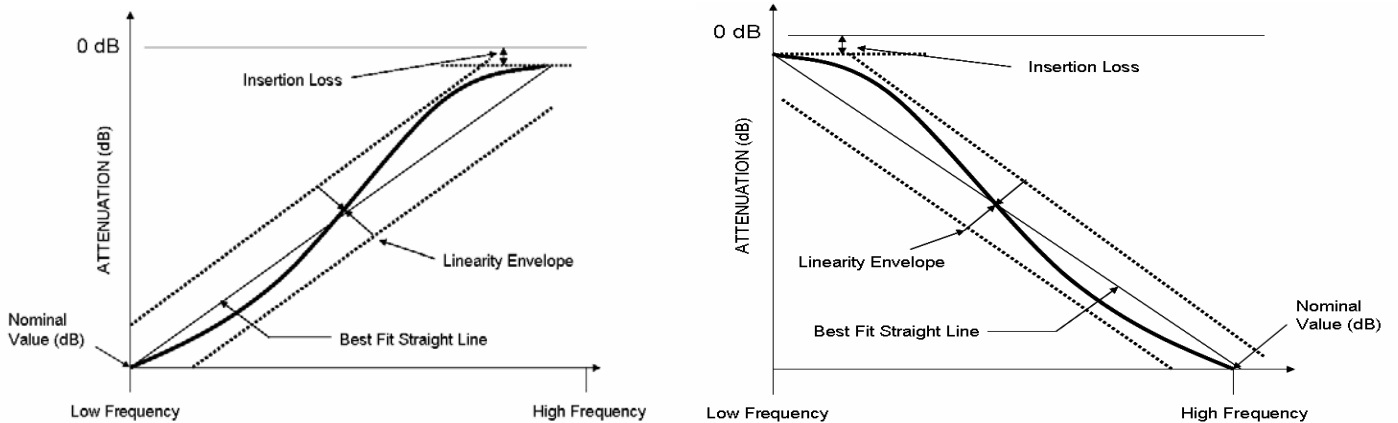
1.0 SPECIFICATIONS:

- 1.1 ELECTRICAL:
 - 1.1.1 IMPEDANCE: 50 OHMS NOMINAL.
 - 1.1.2 OPERATING FREQUENCY RANGE: 2 GHZ - 18 GHZ.
 - 1.1.3 NOMINAL ATTENUATION VALUE:

IDENTIFIER	NOMINAL ATTENUATION
01	1DB
02	2DB
03	3DB
04	4DB

- 1.1.4 ATTENUATION LINEARITY AT 25°C: ±0.5. SEE FIGURE 1 BELOW.
- 1.1.5 VSWR: 1.7:1 MAX. @ NOMINAL ATTENUATION FREQUENCY. (HIGHEST FREQUENCY FOR NEGATIVE SLOPE OR LOWEST FREQUENCY FOR POSITIVE SLOPE)
- 1.1.6 INPUT POWER: 0.25 WATTS CW.
 - 1.1.6.1 FULL RATED POWER TO 125°C, DERATED LINEARLY TO 0 WATTS AT 150°C.
- 1.1.7 INSERTION LOSS: 1.0 DB (TYPICAL) @ LOW FREQUENCY FOR POSITIVE SLOPE OR HIGH FREQUENCY FOR NEGATIVE SLOPE

FIGURE 1.

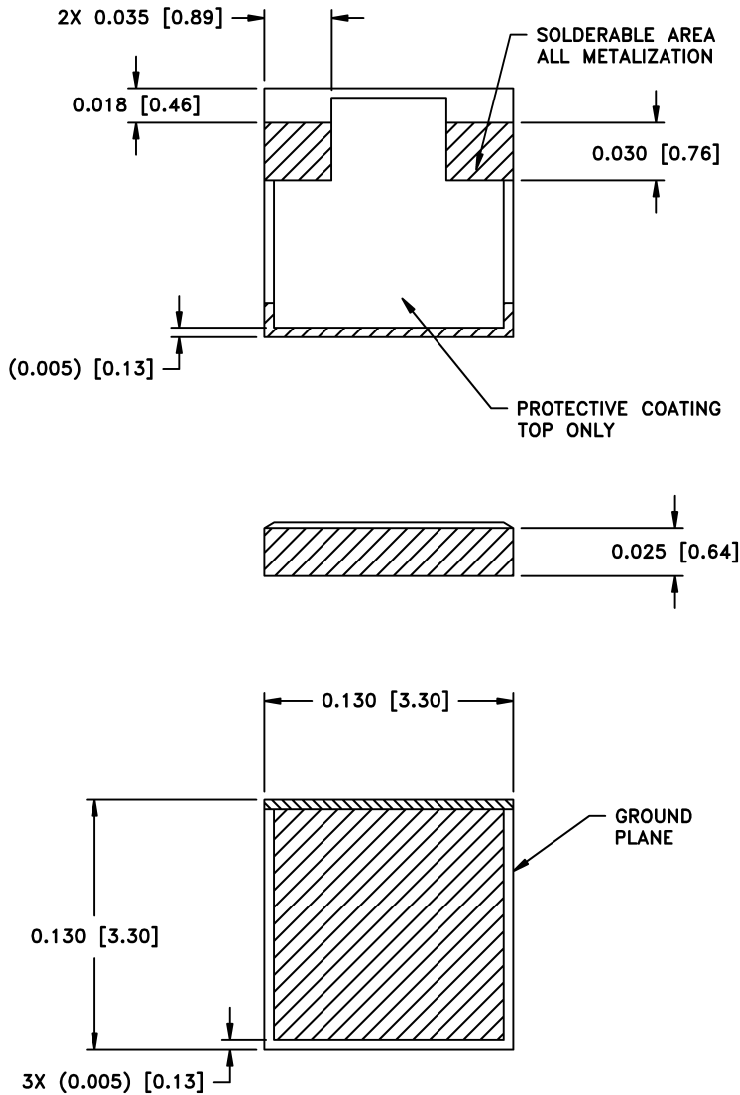


- 1.2 MECHANICAL:
 - 1.2.1 OUTLINE DWG: SEE SHEET 3.
 - 1.2.2 WORKMANSHIP: PER MIL-PRF-55342.
- 1.3 ENVIRONMENTAL:
 - 1.3.1 OPERATING TEMPERATURE RANGE: -55°C TO +150°C.

2.0 UNIT MARKING: DB VALUE (XX)
LEGIBILITY AND PERMANENCY PER MIL-STD-130 .

- 3.0 **QUALITY ASSURANCE:**
 - 3.1 SAMPLE INSPECT PER ANSI/ASQC Z1.4 GENERAL INSPECTION, LEVEL II, AQL = 1.0.
 - 3.1.1 VISUAL AND MECHANICAL EXAMINATION FOR CONFORMANCE TO OUTLINE DRAWING REQUIREMENTS.
 - 3.2 INSPECTION IN ACCORDANCE WITH QA0006 AND FORM0357 FOR COMMERCIAL GRADE PRODUCT.
 - 3.3 TEST DATA REQUIREMENTS:
 - 3.4.1 NO TEST DATA REQUIRED FOR CUSTOMER.
 - 3.4.2 DATA RETENTION - 24 MONTHS.
- 4.0 **PACKAGING:** STANDARD PACK PER MC0023.

EMC TECHNOLOGY 8851 SW OLD KANSAS AVE. STUART, FL 34997	CAGE CODE # 24602		DWG #	1010925000
	CHANGE NOTICE	EN 08-E0160	REV LVL	A
			SHEET	1 OF 2

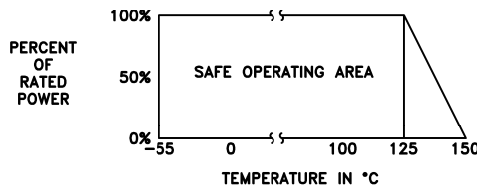


MECHANICAL SPECIFICATIONS:

SUBSTRATE:
 MATERIAL - ALUMINA, MIL-I-10.
 TERMINAL & GROUND PLANE:
 MATERIAL - THICK FILM, NICKEL BARRIER,
 SOLDER PLATED.
 RESISTIVE MATERIAL:
 MATERIAL - THICK FILM.

METRIC EQUIVALENTS GIVEN IN [mm]
 ARE FOR REFERENCE INFORMATION ONLY

POWER RATING AND DERATING



8851 SW OLD KANSAS AVE
 STUART, FL 34997
 PHONE NO. (772)286-9300
 FAX NO. (772)283-5286

UNLESS OTHERWISE SPECIFIED DIMENSIONS ARE IN INCHES
TOLERANCES
 FRACT --- ---
 ANG --- ---
 XX --- ---
 XXX ±0.010
 XXXX --- ---

THESE DRAWINGS AND SPECIFICATIONS ARE THE PROPERTY OF EMC TECHNOLOGY INC AND SHALL NOT BE DUPLICATED OR USED AS BASIS FOR THE MANUFACTURE OR SALE OF PARTS OR DEVICES WITHOUT PERMISSION.

CAGE CODE	SCALE	DRAWN BY	CHECKED BY	APPROVED BY
24602	15:1	JG 2/28/08		
REV	CHANGE NOTICE	DRAWING NO	SHEET	
A	EN 08-E0160	1010925000	2 OF 2	