

NDIR TYPE INFRARED GAS ANALYZER

DATA SHEET

ZRG

This NDIR gas analyzer features high accuracy, multiple functions and easy operation through use of a microprocessor. It also utilizes a mass flow detector noted for its high sensitivity and reliability.

This analyzer is used not only for measuring environmental pollution but is also used for various processes and/or experiments.

This product, combined with sampling system (ZSP), has passed the type-approval test based on Weight and Measure Act.

FEATURES

- (1) Use of a microprocessor provides high accuracy, multiple functions and easy operation.
 - A maximum of 3 gas components can be calibrated with the built-in automatic calibrator (option).
 - Using a signal from a zirconia O₂ sensor (ZFK3) or from any other O₂ sensor, the gas analyzer is able to output a value converted into O₂ (option).
 - Alarm function to emit high/low limit contact output is also available (option).
 - Measuring range can be selected by using external single (option).
 - Zero and span can be calibrated with high accuracy, simply by pressing calibration keys.
 - A self-diagnosis function is included.
- (2) This analyzer utilizes mass flow detector featuring high sensitivity and reliability. It has 2 standard measuring ranges with a range ratio of up to 1:20.
- (3) Three different gas components can be measured simultaneously by connecting a zirconia O₂ sensor (ZFK3), in addition to one-and two-component type sensors.
- (4) Besides the standard measurement type, a sample switching type and a differential flow type are also available.

SPECIFICATIONS

General items

Power supply:	100V ±10% AC, 50/60Hz 115, 220V AC also available on request Note: Refer to "Code symbols"
Power consumption:	125VA max.
Ambient temperature:	-5 to +45°C
Ambient humidity:	90% RH or less
Enclosure:	Steel casing, indoor-use



Dimensions (H x W x D):

835 x 220 x 232 mm

Mass(weight): Approx. 24kg

Finish color: Munsell 2.5Y 8.4/1.2

Indication: 4-digit LED for concentration
4-digit LED for sub-indication

Output hold: Output hold prior to manual/auto calibration is possible. Hold ON/OFF is selectable.

Standard requirements for sample gas:

Temperature	0 to 50°C (dehumidification 2°C saturation or less)
Dust	0.3µm or less
Pressure	9.8kPa(0.1kgf/cm ²) or less (flow rate 0.5 l /min)

Standard control for sample gas:

Calibration gas Dry gas
Interfere control gas 2°C saturation

Warm-up time: About 8 hours (after power ON)
About 4 hours for sample switching type

Material of gas-contacting parts:

Sample cell; 304 stainless steel, neoprene rubber
Infrared-ray transmitting window; CaF₂ or sapphire
Internal tubing; Teflon tube, silicone tube, toaron tube

Gas inlet/outlet, purge gas inlet size:

Rc 1/4 (PT 1/4 internal thread) or NPT1/4 internal thread

Purge gas flow rate:

1 ± 0.5 ℓ /min
 Purging is required when measuring gas is contained in the atmosphere or the range of CO₂ is 0 to less than 50ppm.
 In other cases, purging should be made as necessary.

Scope of delivery: Analyzer, test report, power fuse, cloth for cleaning infrared-ray transmitting window

Mounting method:

Flush mounting (vertical mounting)

Installation condition:

Install the analyzer at a place not exposed to direct sunlight or the radiation from a high temperature object. Avoid vibration, and select a clean place free from corrosive and/or combustible gases. If installing outdoors, provide a suitable casing or cover to protect the analyzer from wind, rain, etc.

Standard type

Measuring system:

Non-dispersion infrared-ray absorption method, single light source, double beam

Measurable components and measuring range:

Standard single-component analyzer

Measurable component	Min. measuring range [ppm]	Measuring range
CO	Carbon monoxide	0 to 50
CO ₂	Carbon dioxide	0 to 5
NO	Nitrogen monoxide	0 to 50
SO ₂	Sulfur dioxide	0 to 50
CH ₄	Methane	0 to 200
		See Page 12

Standard two-component analyzer

Measurable component 1st and 2nd component	Min. measuring range [ppm]	Measuring range
NO + SO ₂	Nitrogen monoxide + sulfur dioxide	0 to 100/0 to 100
CO + CO ₂	Carbon monoxide + carbon dioxide	0 to 100/0 to 100
NO + CO	Nitrogen monoxide + carbon monoxide	0 to 250/0 to 250
		Refer to "Code symbols"

Measuring range: Refer to table.

Output signal: 0 to 1V DC or 4 to 20mA DC (allowable load resistance, 550Ω or less), linear within ±0.5% of full scale (*1) (within ±1% of full scale)

Repeatability: Within ±2% of full scale
Linearity: Within ±2% of full scale
Zero drift: Within ±2% of full scale/week (*1) (within ±2% of full scale/day) (*2) (within ±3% of full scale/week)

Span drift: Within ±2% of full scale/week (*1) (within ±2% of full scale/day) (*2) (within ±3% of full scale/week)

Response time: Max. 50 seconds (for 90% response) including gas substitution time; time differs with the length of sample cell.

Measured gas flow rate: 0.5 ± 0.25 ℓ /min

Note: *(1) (): For the range less than 50ppm
 *(2) (): For 50ppm range

Sample switching type

(Sample switching type gas analyzer suited for measurement of low concentrations or for eliminating the effects of interfering components.)

Measuring system:

Non-dispersion infrared-ray absorption method, single light source, double beam, sample switching system

Measurable component:

CO (carbon monoxide)

Measuring range:

1st range [ppm]	2nd range, 3rd range, 4th range (*4) [ppm]
0 to 2	Select from 5, 10, 20, 25, 50, 100 Max. range rate within 1:10 1st range < 2nd range < 3rd range < 4th range
0 to 5	
0 to 10	
0 to 25	
0 to 50	
0 to 100	

Output signal: 0 to 1V DC or 4 to 20mA DC, linear, step output which changes every 50 seconds

Repeatability: Within ± 1% of full scale (*3) (within ± 2% of full scale)

Linearity: Within ± 2% of full scale

Zero drift: Within ± 0.5% of full scale/week (*3) (within ± 1% of full scale/week)

Span drift: Within ± 1.5% of full scale/week (*3) (within ± 2.5% of full scale/week)

Response time: Within 120 seconds (for 90% response) (*3) (within 150 seconds)

Measured gas flow rate:

1 ± 0.1 ℓ /min (reference gas)
 1 ± 0.1 ℓ /min (sample gas)

Sample switching relay drive output:

3V DC, ON/OFF signal at 50 second interval (for solid state relay drive)

Note: *(3) (): For 0 to 2ppm range
 *(4) (): Sample switching type with 4-ranges is available (Max. range ratio within 1:10). In 4-range analyzer, optional functions of remote range, range identification, alarm and external hold are not available.

Differential flow type

(Gas analyzer suited for measurement in two modes, absolute concentration and concentration difference)

Measuring system:

Non-dispersion infrared-ray absorption method, single light source, double beam, differential flow system

Measurable components and measuring range:

		1st range [ppm]	2nd range [ppm]
CO ₂	Carbon dioxide	- 50 to +50 -100 to +100	0 to 500 0 to 1000
CO	Carbon monoxide	0 to 50 0 to 100 0 to 200 0 to 250	None, 0 to 100, 0 to 200, 0 to 250, 0 to 500 None, 0 to 200, 0 to 250, 0 to 500 None, 0 to 500 None, 0 to 500

Note: There are restrictions on the reference gas conditions.

Output signal:

	1st range	2nd range
CO ₂	- 1 to +1V DC	0 to 1V DC
CO	0 to 1V or 4 to 20mA DC	0 to 1V or 4 to 20mA DC

Note: Linear output

Repeatability: Within ± 0.5% of full scale

Linearity: within ± 2% of full scale

Zero drift: Within ± 2% of full scale/week

Span drift: Within ± 2% of full scale/week

Response time: Max. 50 seconds (for 90% response) including gas substitution time

Measured gas flow rate:

0.5 ± 0.25 ℓ /min (reference gas)
 0.5 ± 0.25 ℓ /min (sample gas)

Optional specifications

(There are added on request. Refer to the "Code symbols".)

O₂ correction output:

An private O₂ sensor is used for correcting the measured gas concentration into the value at standard O₂ concentration. For obtaining the NOx exhaust standard value, NOx concentration and residual oxygen concentration in exhaust gas are measured simultaneously, then it is corrected according to the following equation. (Application of this equation is mandatory for the NOx exhaust standard.)

$$C = \frac{21 - O_n}{21 - O_s} \cdot C_s$$

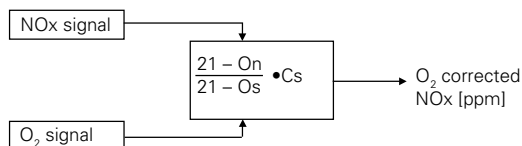
where C: Concentration after O₂ correction

Cs: NOx measured concentration

Os: O₂ measured concentration

On: O₂ standard concentration

Block diagram (Example of NOx measurement)



The O₂ measured signal is according to the private O₂ sensor (ZFK) or external O₂ meter (0 to 1V DC/0 to 25% O₂).

O₂ output signal: 0 to 1V or 4 to 20mA DC, linear

O₂ correction output signal:

0 to 1V or 4 to 20mA DC, linear

Output can be provided for each of 1st and 2nd components

Alarm output:

Upper limit alarm

Contact output, SPDT (1c) contact

Contact capacity, 250V AC, 2A

(resistive load)

Lower limit alarm

Contact output, SPDT (1c) contact

Contact capacity, 250V AC, 2A

(resistive load)

Remote range changeover:

Range is changeable via external signal.

Range changeover input signal: 5V DC

(minimum range selection at 5V input)

Range identification signal output:

Contact output, SPST (1a) contact

Contact capacity, 250V AC, 2A

(resistive load)

External hold:

Output hold is possible with external input signal.

External hold signal input:

5V DC (hold at 5V input)

Average value output:

Moving average value or average value is outputted at intervals of 1-hour or 4-hour (only the 1-output type for 4-hour average value is available).

Output signal: 0 to 1V or 4 to 20mA DC, linear.

Automatic calibration:

Zero and span are automatically calibrated at the present cycle.

Calibrating gas is supplied by operating the external electromagnetic valve.

Calibration channels:

Up to 3 components can be calibrated simultaneously.

Zero calibration point:

Fixed at 0% (air point and span point can be set by zirconia O₂ meter)

Span calibration point:

0 to 100% of full scale

Calibration start:

Built-in timer or remote start signal

Output hold during calibration:

Possible

Calibration gas flow mode:

(1) Zero gas

(2) Zero gas – span gas 1

(3) Zero gas – span gas 1 – span gas 2

(4) Zero gas – span gas 1 – span gas 3 (O₂)

(5) Zero gas – span gas 1 – span gas 2 – span gas 3 (O₂)

Calibration gas flow time:

Settable from 100 to 599 seconds

Calibration cycle:

1 to 99 hours (1-hour units) or 1 to 7 days (1-day units)

Calibration failure alarm:

Provided when fault occurs during auto calibration.

Contact output:

Under calibration; SPST (1a) contact, contact capacity 250V AC, 2A (resistive load)

Calibration failure; SPST (1a) contact, contact capacity 250V AC, 2A (resistive load)

Electromagnetic valve drive; SPST (1a) contact, contact capacity 250V AC, 2A (resistive load)

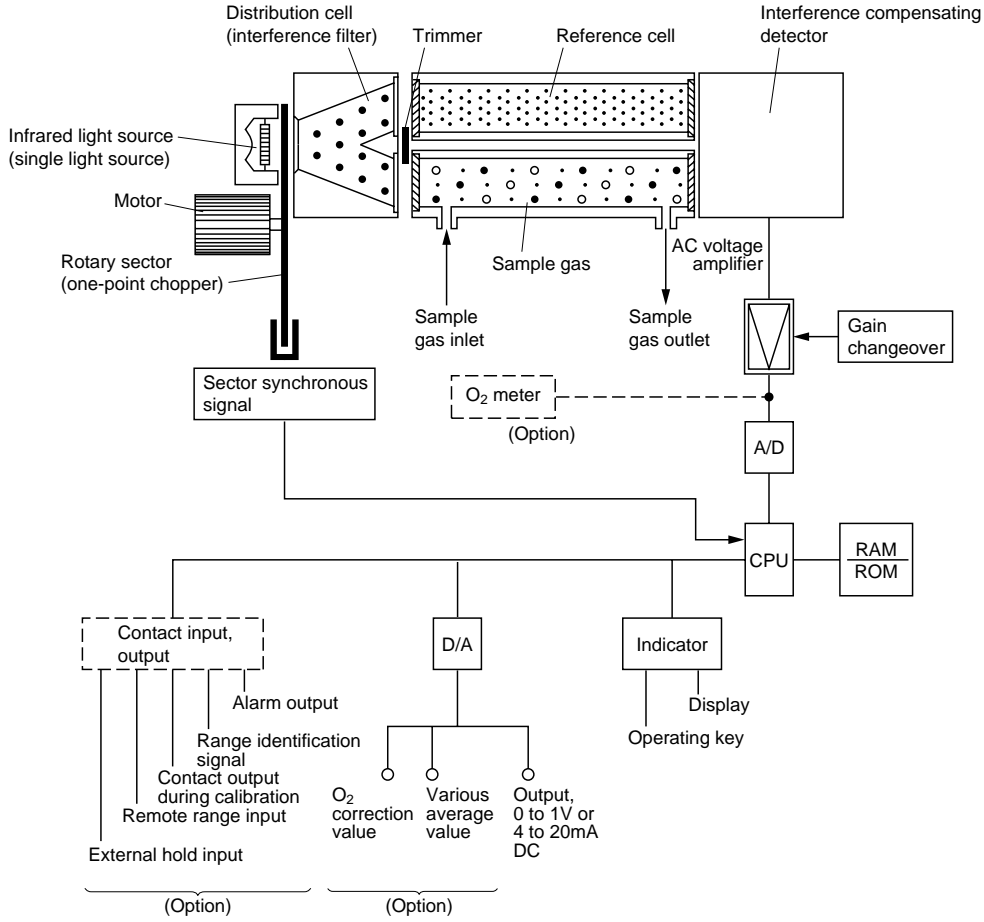
Remote start:

Remote start signal

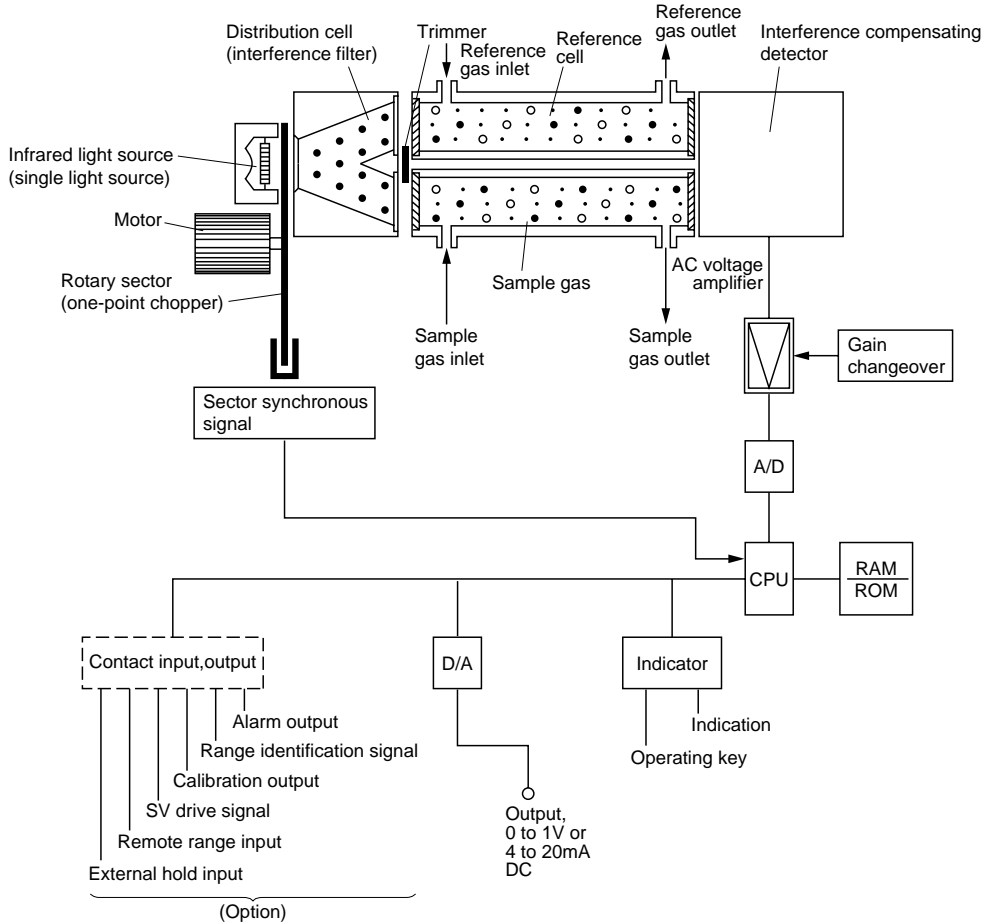
Voltage input 5V DC

(start at 100msec pulse input)

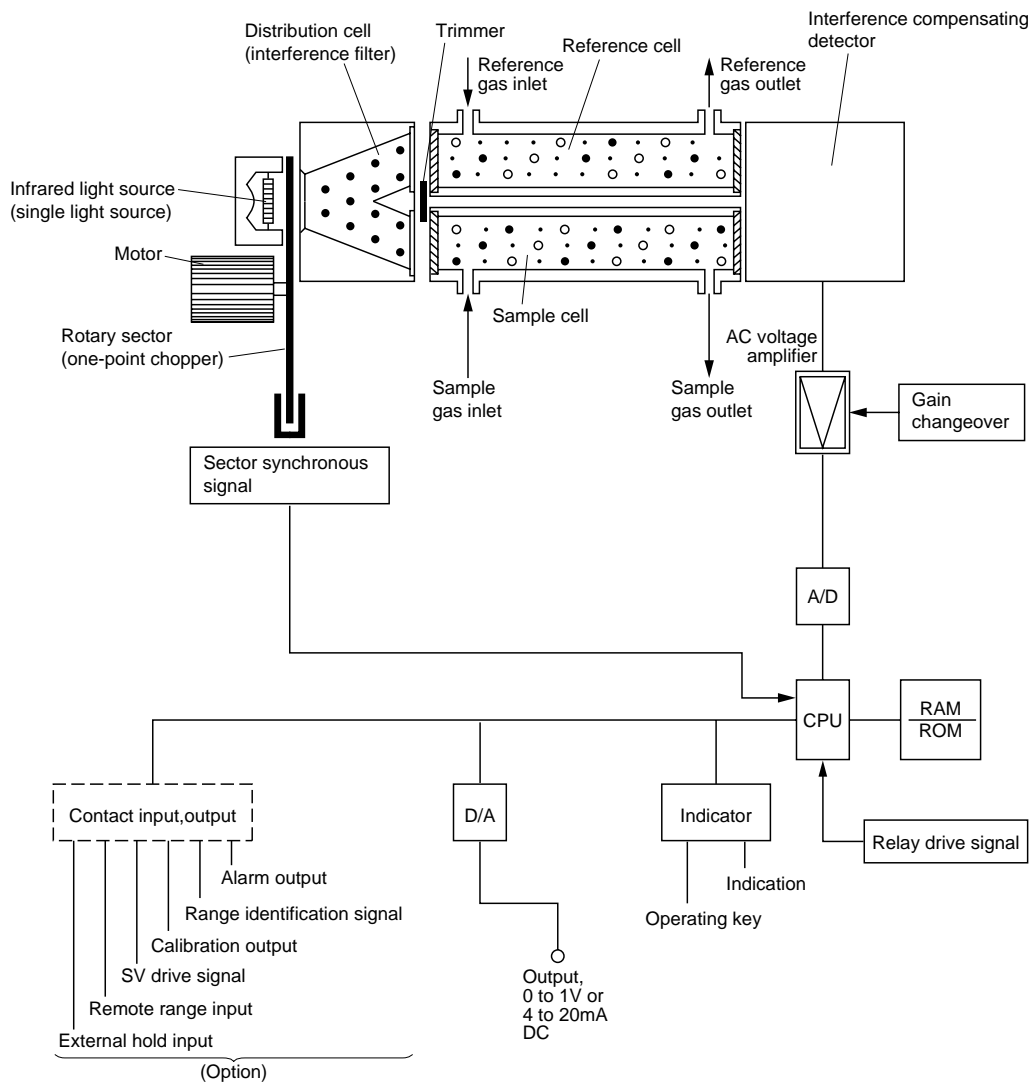
FUNDAMENTAL DIAGRAM (Standard type)



(Differential flow type)



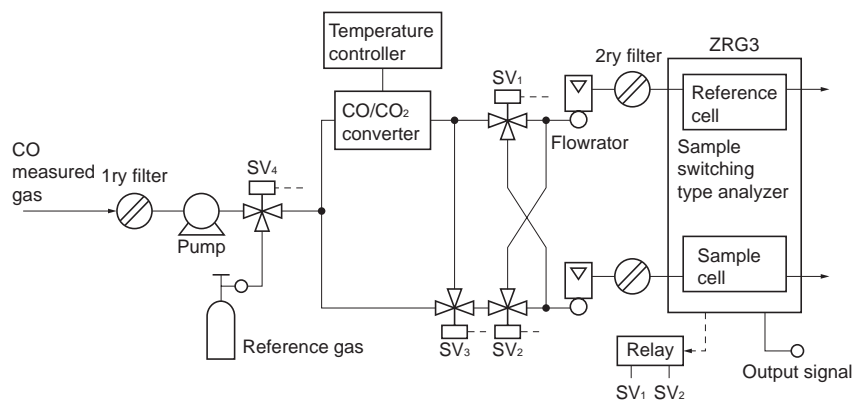
FUNDAMENTAL DIAGRAM (Sample switching type)



Description of sample switching system

The measured gas is divided into two, and in one of the flow paths, a high performance converter is provided to convert carbon monoxide into carbonic acid gas. Here, the carbon monoxide in the measured gas is eliminated and the gas is led into one cell of the high-sensitivity infrared analyzer. In the other flow path, the gas is led directly into the other cell of the analyzer.

These flow paths are changed over via changeover valves SV_1 and SV_2 every 50 seconds by means of the changeover valve drive signal transmitted from the analyzer. By carrying out this changeover cyclically, the output of the analyzer varies with the concentration of the carbon monoxide in the measured gas. Use of the obtained variation width as a measured value enables improving the S/N ratio and eliminating the effect of interfering components plus zero drift.



CODE SYMBOLS

(Standard single-component analyzer)

1 2 3 4 5 6 7 8 9 10 11 12 13 14 15 16 17 18 19 20 21																					Description	
Z	R	G																			Measuring method	
				1																	Single-component analyzer	
				5																	Single-component analyzer (approved by Weight and Measure Act)	
					A																Measurable components	
					B																SO ₂	
					D																CO	
					E																CO ₂	
					P																CH ₄	
					Z																NO	
																					Other non-standard items	
																					1st component, 1st range	
					W																0 to 5ppm	
					V																0 to 10ppm	
					O																0 to 15ppm	
					I																0 to 20ppm	
					T																0 to 25ppm	
					A																0 to 50ppm	
					B																0 to 100ppm	
					C																0 to 200ppm	
					D																0 to 250ppm	
					E																0 to 500ppm	
					F																0 to 1000ppm	
					G																0 to 2000ppm	
					H																0 to 5000ppm	
					J																0 to 1%	
					K																0 to 2%	
					L																0 to 5%	
					M																0 to 10%	
					N																0 to 20%	
					P																0 to 50%	
					R																0 to 100%	
					Z																Other non-standard items	
																					Power supply	
																					100V AC 50/60Hz	
																					115V AC 50/60Hz	
																					220V AC 50/60Hz	
																					220V AC 50/60Hz	
																					Piping connection	
																					Rc 1/4	
																					NPT 1/4	
																					Rc 1/4	
																					NPT 1/4	
																					Output signal	
					A																0 to 1V DC linear	
					B																4 to 20mA DC linear	
																					Optional functions [1]	
																					Automatic calibration	
																					Average value output	
																					Range identification alarm, remote range, external hold	
																					Note: (3) Details of average value output depend on 16th and 17th digits.	
																					(4) Average value output includes moving average value output.	
					Y																-	
					A																○	
					B																-	
					D																○	
					F																○	
					H																○	
					K																-	
					M																○	
																					Optional functions [2]	
																					O ₂ indication (external O ₂ analyzer connection)	
																					O ₂ indication (ZFK connection)	
																					Range identification alarm, remote range	
																					Note: (5) In the case of O ₂ indication, corrected O ₂ is outputted as standard specification.	
																					(6) Standard type of O ₂ analyzer has 2 ranges (0 to 10/25%)	
					Y																-	
					A																○	
					B																-	
					C																○	
					D																-	
																					○	
																					○	
																					Note: (7) Corrected O ₂ is designated by 18th digit.	
																					(8) External O ₂ analyzer is required 0 to 1V linear output.	

(Standard single-component analyzer) (cont'd)

1	2	3	4	5	6	7	8	9	10	11	12	13	14	15	16	17	18	19	20	21	
Z	R	G					Y	2			0			Y							

		Description	
		1st component, 2nd range	Note: (9) 2nd range>1st range
Y		2nd range without	Range rate: within 1:20
V		0 to 10ppm	
0		0 to 15ppm	
1		0 to 20ppm	
T		0 to 25ppm	
A		0 to 50ppm	
B		0 to 100ppm	
C		0 to 200ppm	
D		0 to 250ppm	
E		0 to 500ppm	
F		0 to 1000ppm	
G		0 to 2000ppm	
H		0 to 5000ppm	
J		0 to 1%	
K		0 to 2%	
L		0 to 5%	
M		0 to 10%	
N		0 to 20%	
P		0 to 50%	
R		0 to 100%	
Z		Other non-standard items	
		Average value output time	Note: (10) Average value output (option) designated only by 12th digit.
0		Without	
1		1-hour moving average value output	
4		4-hour moving average value output	
5		1-hour average value output	
6		4-hour average value output	
		Average value output object component	Note: (11) Average value output (option) designated only by 12th digit. (12) For selection of 4-hour moving average value output and 4-hour average value output, only the 1-output type is available.
		1st component	
		Instantaneous value	O ₂ corrected
Y		-	-
A		○	-
D		-	○
		O₂ corrected standard value	Note: (13) For designation of "Z", the data must be put on the data code.
Y		Without	
4		4%	
5		5%	
6		6%	
7		7%	
A		10%	
B		11%	
C		12%	
F		15%	
Z		Other non-standard items (specify within 0 to 19%)	
		Measuring gas kind	Note: (14) For designation of "Z", gas components specifications should be attached.
E	Y	Atmospheric gas	
F	Y	Combustible exhaust gas (Dioxin included)	
G	Y	Converter exhaust gas	
Z	Z	Other non-standard items	
		Non-standard spec.	Note: (15) Data should be put on data code. (16) Quick response type is available only when gas density is 20% or more.
Z		Other non-standard items	
A		Quick response	

(Standard two-component analyzer)

1 2 3 4 5 6 7 8 9 10 11 12 13 14 15 16 17 18 19 20 21																																																									
Z	R	G																			Description																																				
																					Measuring method Two-component analyzer Two-component analyzer (approved by Weight and Measure Act)																																				
																					Measurable components (1st component) + (2nd component) NO + SO ₂ CO + CO ₂ NO + CO Other non-standard items																																				
																					1st component, 1st range <table border="1"> <thead> <tr> <th>Code</th><th>Range value</th><th>Code</th><th>Range value</th><th>Code</th><th>Range value</th></tr> </thead> <tbody> <tr> <td>B</td><td>0 to 100 ppm</td><td>G</td><td>0 to 2000ppm</td><td>M</td><td>0 to 10 %</td></tr> <tr> <td>C</td><td>0 to 200 ppm</td><td>H</td><td>0 to 5000ppm</td><td>N</td><td>0 to 20 %</td></tr> <tr> <td>D</td><td>0 to 250 ppm</td><td>J</td><td>0 to 1%</td><td>P</td><td>0 to 50 %</td></tr> <tr> <td>E</td><td>0 to 500 ppm</td><td>K</td><td>0 to 2%</td><td>R</td><td>0 to 100 %</td></tr> <tr> <td>F</td><td>0 to 1000 ppm</td><td>L</td><td>0 to 5%</td><td>Z</td><td>Other non-standard items</td></tr> </tbody> </table> Note: (1) For range selection, be sure to refer to the table of "Measuring range". (2) NO + CO min. range: 0 to 250ppm	Code	Range value	Code	Range value	Code	Range value	B	0 to 100 ppm	G	0 to 2000ppm	M	0 to 10 %	C	0 to 200 ppm	H	0 to 5000ppm	N	0 to 20 %	D	0 to 250 ppm	J	0 to 1%	P	0 to 50 %	E	0 to 500 ppm	K	0 to 2%	R	0 to 100 %	F	0 to 1000 ppm	L	0 to 5%	Z	Other non-standard items
Code	Range value	Code	Range value	Code	Range value																																																				
B	0 to 100 ppm	G	0 to 2000ppm	M	0 to 10 %																																																				
C	0 to 200 ppm	H	0 to 5000ppm	N	0 to 20 %																																																				
D	0 to 250 ppm	J	0 to 1%	P	0 to 50 %																																																				
E	0 to 500 ppm	K	0 to 2%	R	0 to 100 %																																																				
F	0 to 1000 ppm	L	0 to 5%	Z	Other non-standard items																																																				
																					2nd component, 1st range <table border="1"> <thead> <tr> <th>Code</th><th>Range value</th><th>Code</th><th>Range value</th><th>Code</th><th>Range value</th></tr> </thead> <tbody> <tr> <td>B</td><td>0 to 100 ppm</td><td>G</td><td>0 to 2000ppm</td><td>M</td><td>0 to 10 %</td></tr> <tr> <td>C</td><td>0 to 200 ppm</td><td>H</td><td>0 to 5000ppm</td><td>N</td><td>0 to 20 %</td></tr> <tr> <td>D</td><td>0 to 250 ppm</td><td>J</td><td>0 to 1%</td><td>P</td><td>0 to 50 %</td></tr> <tr> <td>E</td><td>0 to 500 ppm</td><td>K</td><td>0 to 2%</td><td>R</td><td>0 to 100 %</td></tr> <tr> <td>F</td><td>0 to 1000 ppm</td><td>L</td><td>0 to 5%</td><td>Z</td><td>Other non-standard items</td></tr> </tbody> </table> Note: (3) For range selection, be sure to refer to the table of "Measuring range". (4) NO + CO min. range: 0 to 250ppm	Code	Range value	Code	Range value	Code	Range value	B	0 to 100 ppm	G	0 to 2000ppm	M	0 to 10 %	C	0 to 200 ppm	H	0 to 5000ppm	N	0 to 20 %	D	0 to 250 ppm	J	0 to 1%	P	0 to 50 %	E	0 to 500 ppm	K	0 to 2%	R	0 to 100 %	F	0 to 1000 ppm	L	0 to 5%	Z	Other non-standard items
Code	Range value	Code	Range value	Code	Range value																																																				
B	0 to 100 ppm	G	0 to 2000ppm	M	0 to 10 %																																																				
C	0 to 200 ppm	H	0 to 5000ppm	N	0 to 20 %																																																				
D	0 to 250 ppm	J	0 to 1%	P	0 to 50 %																																																				
E	0 to 500 ppm	K	0 to 2%	R	0 to 100 %																																																				
F	0 to 1000 ppm	L	0 to 5%	Z	Other non-standard items																																																				
																					Power supply Piping connection 100V AC 50/60Hz Rc 1/4 115V AC 50/60Hz NPT 1/4 220V AC 50/60Hz Rc 1/4 220V AC 50/60Hz NPT 1/4																																				
																					Output signal 0 to 1V DC linear 4 to 20mA DC linear Other non-standard items																																				
																					Optional functions [1] <table border="1"> <thead> <tr> <th>Automatic calibration</th><th>Average value output</th><th>Range identification alarm, remote range, external hold</th><th rowspan="7">Note: (5) Details of average value output depend on 16th and 17th digits. (6) Average value output includes moving average value output.</th></tr> </thead> <tbody> <tr> <td>-</td><td>-</td><td>-</td></tr> <tr> <td>○</td><td>-</td><td>-</td></tr> <tr> <td>-</td><td>○</td><td>-</td></tr> <tr> <td>-</td><td>-</td><td>○</td></tr> <tr> <td>○</td><td>○</td><td>-</td></tr> <tr> <td>○</td><td>-</td><td>○</td></tr> <tr> <td>-</td><td>○</td><td>○</td></tr> <tr> <td>○</td><td>○</td><td>○</td></tr> </tbody> </table> Note: (7) This function applies to 1st and 2nd components.	Automatic calibration	Average value output	Range identification alarm, remote range, external hold	Note: (5) Details of average value output depend on 16th and 17th digits. (6) Average value output includes moving average value output.	-	-	-	○	-	-	-	○	-	-	-	○	○	○	-	○	-	○	-	○	○	○	○	○								
Automatic calibration	Average value output	Range identification alarm, remote range, external hold	Note: (5) Details of average value output depend on 16th and 17th digits. (6) Average value output includes moving average value output.																																																						
-	-	-																																																							
○	-	-																																																							
-	○	-																																																							
-	-	○																																																							
○	○	-																																																							
○	-	○																																																							
-	○	○																																																							
○	○	○																																																							
																					Optional functions [2] <table border="1"> <thead> <tr> <th>O₂ indication (external O₂ analyzer connection)</th><th>O₂ indication (ZFK connection)</th><th>Range identification alarm, remote range</th><th rowspan="4">Note: (8) In the case of O₂ indication, corrected O₂ is outputted as standard specification. (9) Standard type of O₂ analyzer has 2 ranges (0 to 10/25%)</th></tr> </thead> <tbody> <tr> <td>-</td><td>-</td><td>-</td></tr> <tr> <td>○</td><td>-</td><td>-</td></tr> <tr> <td>-</td><td>○</td><td>-</td></tr> <tr> <td>○</td><td>-</td><td>○</td></tr> <tr> <td>-</td><td>○</td><td>○</td></tr> </tbody> </table> Note: (10) Corrected O ₂ is designated by 18th digit. (11) External O ₂ analyzer is required 0 to 1V linear output.	O ₂ indication (external O ₂ analyzer connection)	O ₂ indication (ZFK connection)	Range identification alarm, remote range	Note: (8) In the case of O ₂ indication, corrected O ₂ is outputted as standard specification. (9) Standard type of O ₂ analyzer has 2 ranges (0 to 10/25%)	-	-	-	○	-	-	-	○	-	○	-	○	-	○	○																	
O ₂ indication (external O ₂ analyzer connection)	O ₂ indication (ZFK connection)	Range identification alarm, remote range	Note: (8) In the case of O ₂ indication, corrected O ₂ is outputted as standard specification. (9) Standard type of O ₂ analyzer has 2 ranges (0 to 10/25%)																																																						
-	-	-																																																							
○	-	-																																																							
-	○	-																																																							
○	-	○																																																							
-	○	○																																																							
																					1st component, 2nd range <table border="1"> <thead> <tr> <th>Code</th><th>Range value</th><th>Code</th><th>Range value</th><th>Code</th><th>Range value</th></tr> </thead> <tbody> <tr> <td>Y</td><td>Without</td><td>G</td><td>0 to 2000ppm</td><td>M</td><td>0 to 10 %</td></tr> <tr> <td>C</td><td>0 to 200 ppm</td><td>H</td><td>0 to 5000ppm</td><td>N</td><td>0 to 20 %</td></tr> <tr> <td>D</td><td>0 to 250 ppm</td><td>J</td><td>0 to 1%</td><td>P</td><td>0 to 50 %</td></tr> <tr> <td>E</td><td>0 to 500 ppm</td><td>K</td><td>0 to 2%</td><td>R</td><td>0 to 100 %</td></tr> <tr> <td>F</td><td>0 to 1000 ppm</td><td>L</td><td>0 to 5%</td><td>Z</td><td>Other non-standard items</td></tr> </tbody> </table> Note: (12) 2nd range>1st range range rate: within 1:20	Code	Range value	Code	Range value	Code	Range value	Y	Without	G	0 to 2000ppm	M	0 to 10 %	C	0 to 200 ppm	H	0 to 5000ppm	N	0 to 20 %	D	0 to 250 ppm	J	0 to 1%	P	0 to 50 %	E	0 to 500 ppm	K	0 to 2%	R	0 to 100 %	F	0 to 1000 ppm	L	0 to 5%	Z	Other non-standard items
Code	Range value	Code	Range value	Code	Range value																																																				
Y	Without	G	0 to 2000ppm	M	0 to 10 %																																																				
C	0 to 200 ppm	H	0 to 5000ppm	N	0 to 20 %																																																				
D	0 to 250 ppm	J	0 to 1%	P	0 to 50 %																																																				
E	0 to 500 ppm	K	0 to 2%	R	0 to 100 %																																																				
F	0 to 1000 ppm	L	0 to 5%	Z	Other non-standard items																																																				

(Standard two-component analyzer) (cont'd)

1	2	3	4	5	6	7	8	9	10	11	12	13	14	15	16	17	18	19	20	21
Z	R	G					2	-			0		-							

		Description			
		2nd component, 2nd range			
		Code	Range value	Code	Range value
Y		Y	Without	G	0 to 2000ppm
		C	0 to 200 ppm	H	0 to 5000ppm
		D	0 to 250 ppm	J	0 to 1%
		E	0 to 500 ppm	K	0 to 2%
		F	0 to 1000 ppm	L	0 to 5%
Z		Z	Other non-standard items		
		Note: (13) 2nd range>1st range range rate: within 1:20			
		Average value output time		Note: (14) Average value output (option) designated only by 12th digit.	
	0	Without			
	1	1-hour moving average value output			
	4	4-hour moving average value output			
	5	1-hour average value output			
	6	4-hour average value output			
		Average value output object component			Note:
		1st component		2nd component	
		Instantaneous value	O ₂ corrected	Instantaneous value	O ₂ corrected
Y		-	-	-	-
A		○	-	-	-
B		○	-	○	-
C		○	-	-	○
D		-	○	-	-
E		-	○	○	-
F		-	○	-	○
G		-	-	○	-
H		-	-	-	○
		(15) Average value output (option) designated only by 12th digit.			
		(16) For selection of 4-hour moving average value output and 4-hour average value output, only the 1-output type is available.			
		O₂ correct standard value		Note: (17) For designation of "Z", the data must be put on the data code.	
	Y	Without			
	4	4%			
	5	5%			
	6	6%			
	7	7%			
	A	10%			
	B	11%			
	C	12%			
	F	15%			
	Z	Other non-standard items (specify within 0 to 19%)			
		Measuring gas kind		Note: (18) For designation of "Z", gas components specifications should be attached.	
	EY	Atmospheric gas			
	FY	Combustible exhaust gas (Dioxin included)			
	GY	Converter exhaust gas			
	ZZ	Other non-standard items			
		Non-standard spec.		Note: (19) Data should be put on data code. (20) Quick response type is available only when gas density is 20% or more.	
	Z	Other non-standard items			
	A	Quick response			

(Sample switching type)

1 2 3 4 5 6 7 8 9 10 11 12 13 14 15 16 17 18 19 20 21																					Description							
Z	R	G				Y	2														Measuring method Sample switching system							
																					Measurable components CO							
																					1st range 0 to 2ppm 0 to 5ppm 0 to 10ppm 0 to 25ppm 0 to 50ppm 0 to 100ppm Other non-standard items							
																					Power supply 100V AC 50/60Hz 115V AC 50/60Hz 220V AC 50/60Hz 220V AC 50/60Hz		Piping connection Rc 1/4 NPT 1/4 Rc 1/4 NPT 1/4					
																					Output signal 0 to 1V DC linear 4 to 20mA DC linear							
																					Optional functions [1]							
																					Automatic calibration		Range identification alarm, remote range, external hold					
																					-		-					
																					-		○					
																					○		-					
																					○		○					
																					2nd range/3rd range/4th range							
																					2nd range		3rd range		4th range		(Unit: ppm)	
																					-		-		-			
																					5		-		-			
																					10		-		-			
																					20		-		-			
																					5		10		-		For 1st range 2ppm	
																					5		20		-			
																					10		20		-			
																					5		10		20			
																					10		-		-			
																					25		-		-			
																					50		-		-			
																					10		25		-		For 1st range 5 ppm	
																					10		50		-			
																					25		50		-			
																					10		25		50			
																					25		-		-			
																					50		-		-			
																					100		-		-			
																					25		50		-		For 1st range 10ppm	
																					25		100		-			
																					50		100		-			
																					25		50		100			
																					50		-		-			
																					100		-		-		For 1st range 25ppm	
																					50		100		-			
																					100		-		-		For 1st range 50ppm	
																					Measuring gas kind		Note: (1) For designation of "Z", gas components specifications should be attached.					
																					E Y		Atmospheric gas					
																					Z Z		Other non-standard items					
																					Non-standard spec.		Note: (2) Data should be put on data code.					
																					Z		Other non-standard items					

(Differential flow system)

1 2 3 4 5 6 7 8 9 10 11 12 13 14 15 16 17 18 19 20 21																					Description			
Z	R	G					Y	2	-												Measuring method Differential flow system			
			4																		Measurable component		1st range	
				D	Q																CO ₂ (Carbon dioxide)		350 ± 50ppm 350 ± 100ppm	
				B	A																CO (Carbon monoxide)		0 to 50ppm 0 to 100ppm 0 to 200ppm 0 to 250ppm	
				B	B																Power supply		Piping connection	
				0																	100V AC 50/60Hz		Rc 1/4	
				2																	115V AC 50/60Hz		NPT 1/4	
				3																	220V AC 50/60Hz		Rc 1/4	
				4																	220V AC 50/60Hz		NPT 1/4	
				A																	Output signal		Note: (1) Voltage output signal only for 5th and 6th digits, DQ or DS (1st range: -1V to +1V) (2nd range: 0 to 1V)	
				B																	0 to 1V DC linear			
																					4 to 20mA DC linear			
																					Optional functions (1)			
																					Automatic calibration		Range identification, alarm, remote range, external hold	
																					-		-	
																					-		○	
																					○		-	
																					○		○	
																					2nd range [Unit : ppm]			
																					Without			
																					E		500 . For 1st range CO ₂ 350±50	
																					F		1000 . For 1st range CO ₂ 350±100	
																					B		100	
																					C		200	
																					D		250	
																					E		500	
																					C		200	
																					D		250	
																					E		500	
																					E		500 . For 1st range CO 200ppm	
																					E		500 . For 1st range CO 250ppm	
																					EY		Atmospheric gas	
																					ZY		Other non-standard items	
																					Z		Other non-standard spec.	
																					Z		Other non-standard items	

NDIR TYPE INFRARED GAS ANALYZER

<Standard single-component analyzer measuring range>

Measuable component	2nd range	1st measuring range																				
		5ppm	10ppm	15ppm	20ppm	25ppm	50ppm	100ppm	200ppm	250ppm	500ppm	0.1%	0.2%	0.5%	1%	2%	5%	10%	20%	50%	100%	
CO	x 0	—	—	—	—	—	○	○	○	○	○	○	○	○	○	○	○	○	○	○	○	○
	x 2	—	—	—	—	—	○	○	○	○	○	○	○	○	○	○	○	○	○	○	○	○
	x 2.5	—	—	—	—	—	○	○	○	○	○	○	○	○	○	○	○	○	○	○	○	—
	x 4	—	—	—	—	—	○	○	○	○	○	○	○	○	○	○	○	○	○	○	○	—
	x 5	—	—	—	—	—	○	○	○	○	○	○	○	○	○	○	○	○	○	○	○	—
	x 8	—	—	—	—	—	○	○	○	○	○	○	○	○	○	○	○	○	○	○	○	—
	x 10	—	—	—	—	—	○	○	○	○	○	○	○	○	○	○	○	○	○	○	○	—
CO ₂	x 0	○	○	○	○	○	○	○	○	○	○	○	○	○	○	○	○	○	○	○	○	○
	x 2	○	○	○	○	○	○	○	○	○	○	○	○	○	○	○	○	○	○	○	○	○
	x 2.5	○	○	○	○	○	○	○	○	○	○	○	○	○	○	○	○	○	○	○	○	—
	x 4	○	○	○	○	○	○	○	○	○	○	○	○	○	○	○	○	○	○	○	○	—
	x 5	○	○	○	○	○	○	○	○	○	○	○	○	○	○	○	○	○	○	○	○	—
	x 8	○	○	○	○	○	○	○	○	○	○	○	○	○	○	○	○	○	○	○	○	—
	x 10	○	○	○	○	○	○	○	○	○	○	○	○	○	○	○	○	○	○	○	○	—
NO	x 0	—	△	△	△	△	○	○	○	○	○	○	○	△	—	—	—	—	—	—	—	—
	x 2	—	△	△	△	△	○	○	○	○	○	○	○	△	—	—	—	—	—	—	—	—
	x 2.5	—	△	△	△	△	○	○	○	○	○	○	△	—	—	—	—	—	—	—	—	—
	x 4	—	△	△	△	△	○	○	○	○	○	○	△	—	—	—	—	—	—	—	—	—
	x 5	—	△	△	△	△	○	○	○	○	○	○	△	—	—	—	—	—	—	—	—	—
	x 8	—	△	△	△	△	○	○	○	○	○	○	△	—	—	—	—	—	—	—	—	—
	x 10	—	△	△	△	△	○	○	○	○	○	○	△	—	—	—	—	—	—	—	—	—
SO ₂	x 0	—	△	△	△	△	○	○	○	○	○	○	○	○	○	○	○	○	○	○	○	○
	x 2	—	△	△	△	△	○	○	○	○	○	○	○	○	○	○	○	○	○	○	○	○
	x 2.5	—	△	△	△	△	○	○	○	○	○	○	○	○	○	○	○	○	○	○	○	○
	x 4	—	△	△	△	△	○	○	○	○	○	○	○	○	○	○	○	○	○	○	○	○
	x 5	—	△	△	△	△	○	○	○	○	○	○	○	○	○	○	○	○	○	○	○	○
	x 8	—	△	△	△	△	○	○	○	○	○	○	○	○	○	○	○	○	○	○	○	○
	x 10	—	△	△	△	△	○	○	○	○	○	○	○	○	○	○	○	○	○	○	○	○
CH ₄	x 0	—	—	—	—	—	—	○	○	○	○	○	○	○	○	○	○	○	○	○	○	○
	x 2	—	—	—	—	—	—	○	○	○	○	○	○	○	○	○	○	○	○	○	○	○
	x 2.5	—	—	—	—	—	—	○	○	○	○	○	○	○	○	○	○	○	○	○	○	○
	x 4	—	—	—	—	—	—	○	○	○	○	○	○	○	○	○	○	○	○	○	○	○
	x 5	—	—	—	—	—	—	○	○	○	○	○	○	○	○	○	○	○	○	○	○	○
	x 8	—	—	—	—	—	—	○	○	○	○	○	○	○	○	○	○	○	○	○	○	○
	x 10	—	—	—	—	—	—	○	○	○	○	○	○	○	○	○	○	○	○	○	○	○

Remarks: (1) ○ : Standard measuring range
 (2) △ : Consult us regarding manufacture availability, price and delivery period.
 (3) — : Not manufactured

<Standard type two-component analyzer measuring range>

NO	100 ppm	200 ppm	250 ppm	500 ppm
SO ₂	○	○	○	○
100ppm	○	○	○	○
200ppm	○	○	○	○
250ppm	○	○	○	○
500ppm	○	○	○	○

Remarks : (1) ○ : Scope of manufacture for 1st range
 (2) 2nd range type is available provided the range ratio of 1st or 2nd component is within 1:20.
 (Max. 2000ppm for NO analyzer)

NO	250 ppm	500 ppm	1000 ppm
CO	○	○	○
250ppm	○	○	○
500ppm	○	○	○
1000ppm	○	○	○

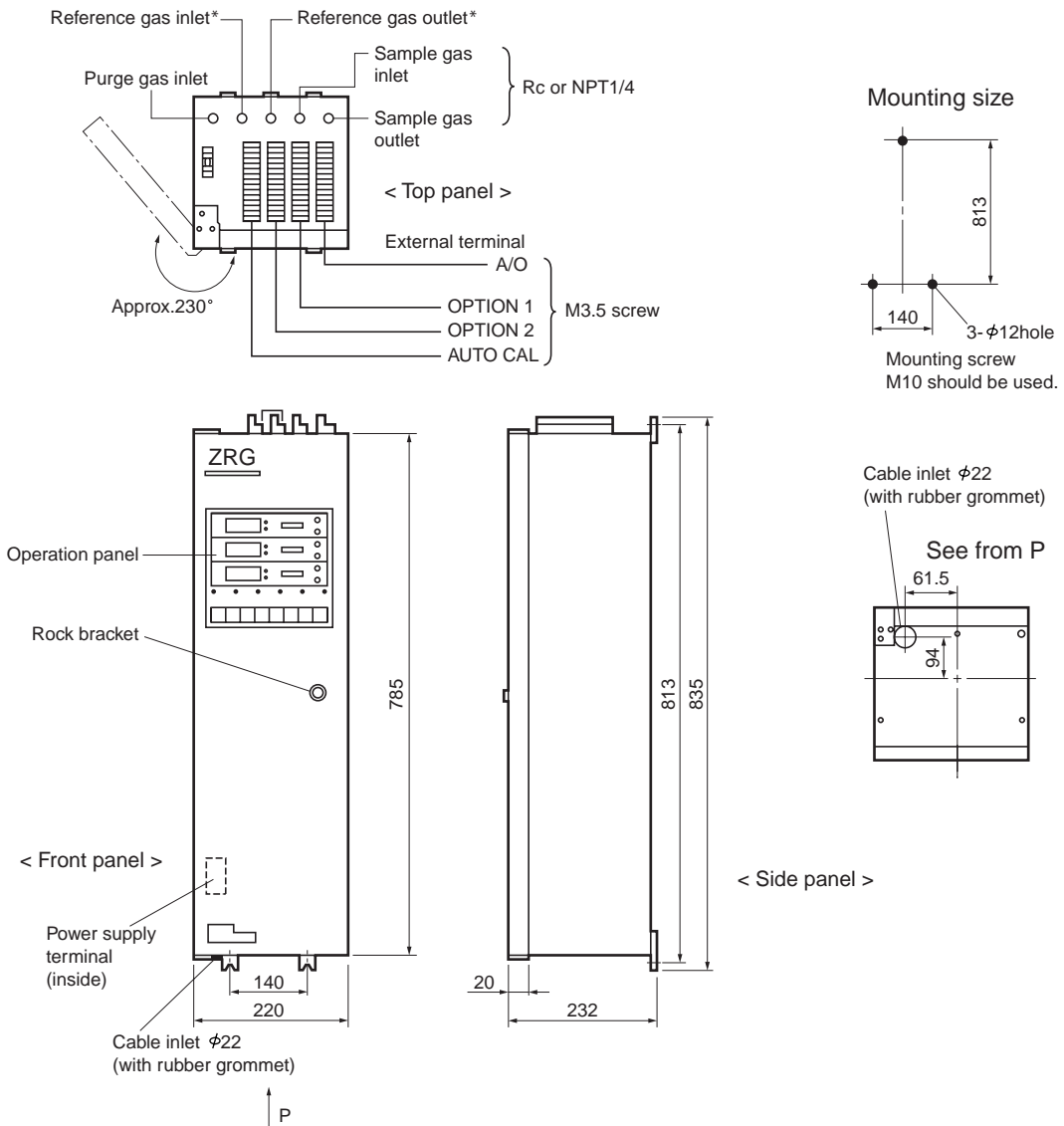
Remarks : (1) 2nd range type is available provided the range ratio of 1st or 2nd component is within 1:20.
 (Max. 2000ppm for NO analyzer)

CO	100 ppm	200 ppm	250 ppm	500 ppm	0.1 %	0.2 %	0.5 %	1 %	2 %	5 %	10 %	20 %	50 %	100 %
CO ₂	○	○	○	○	○	○	○	○	○	○	○	○	○	○
100ppm	○	○	○	○	○	○	○	○	○	○	○	○	○	○
200ppm	○	○	○	○	○	○	○	○	○	○	○	○	○	○
250ppm	○	○	○	○	○	○	○	○	○	○	○	○	○	○
500ppm	○	○	○	○	○	○	○	○	○	○	○	○	○	○
0.1%	○	○	○	○	○	○	○	○	○	○	○	○	○	○
0.2%	○	○	○	○	○	○	○	○	○	○	○	○	○	○
0.5%	○	○	○	○	○	○	○	○	○	○	○	○	○	○
1%	○	○	○	○	○	○	○	○	○	○	○	○	○	○
2%	○	○	○	○	○	○	○	○	○	○	○	○	○	○
5%	○	○	○	○	○	○	○	○	○	○	○	○	○	○
10%	○	○	○	○	○	○	○	○	○	○	○	○	○	○
20%	○	○	○	○	○	○	○	○	○	○	○	○	○	○
50%	○	○	○	○	○	○	○	○	○	○	○	○	○	○
100%	○	○	○	○	○	○	○	○	○	○	○	○	○	○

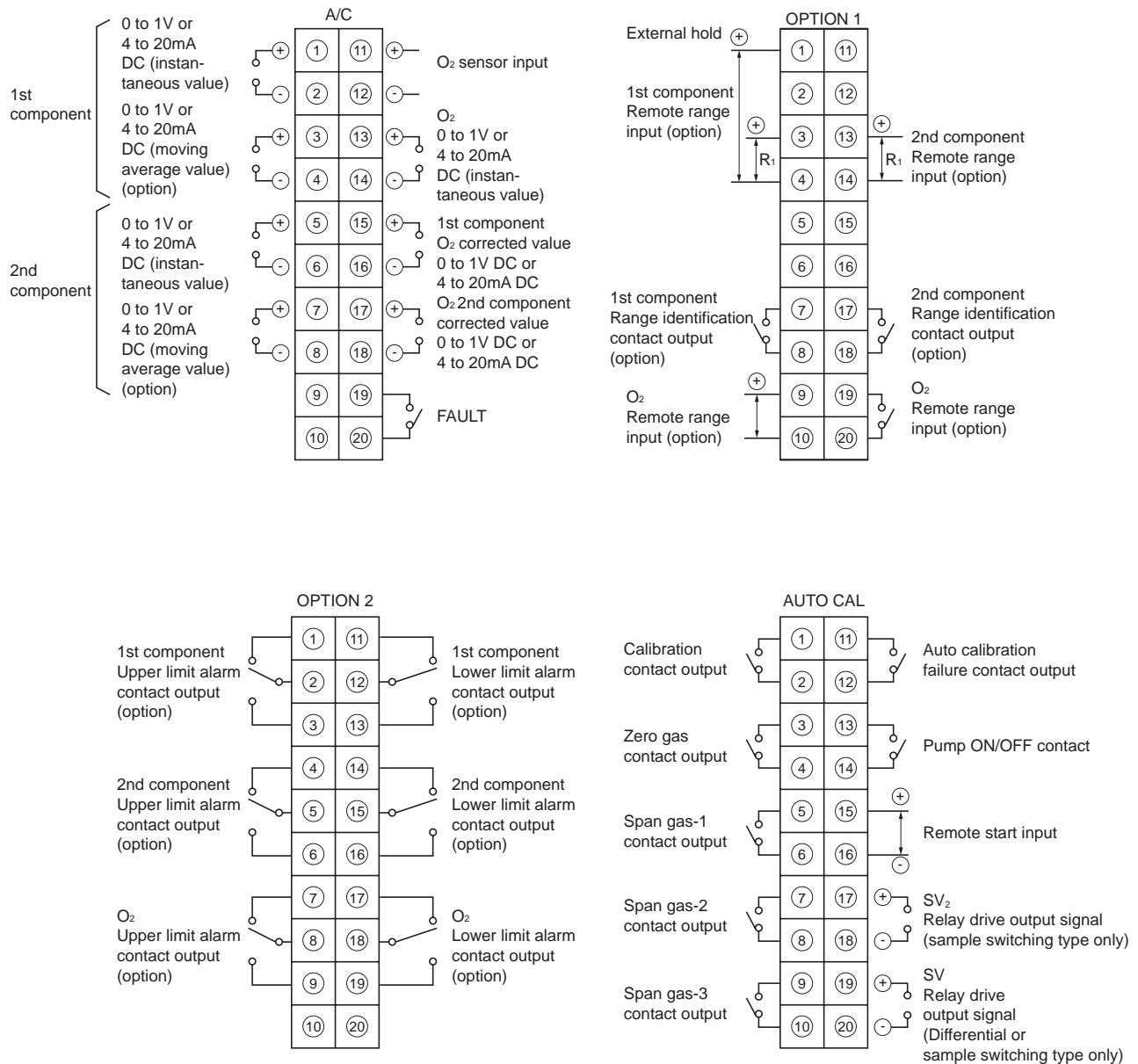
Remarks : (1) ○ : Scope of manufacture for 1st range
 (2) 2nd range type is available provided the range ratio of 1st or 2nd component is within 1:20.

OUTLINE DIAGRAM (Unit:mm)

NOTE* Lid is mounted when reference gas is not used.

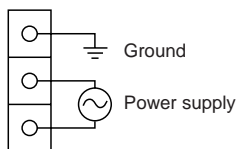


External connection diagram



Note: For relay drive output signal terminal, only the sample switching type of differential flow system is used.
Terminal block should be used at the position of AUTO-CAL terminal block.

Power supply (installed in the main unit)



Private zirconia O₂ sensor <option>

This sensor is used together with ZRG.

Measuring method:

Zirconia system

Measurable component and measuring range:

Measurable component		1st range	2nd range
O ₂	Oxygen	0 to 10 vol %	0 to 25 vol %

Repeatability: Within ±0.5% of full scale

Linearity: Within ±2% of full scale

Zero drift: Within ±1% of full scale/week

Span drift: Within ±2% of full scale/week

Response time: Approx. 20 sec (for 90% response)

Measured gas flow rate:

0.5 ±0.25 l /min

Note: The Zirconia system, due to its principle, may produce a measuring error due to relative concentration versus combustible O₂ gas concentration. Also, a corrosive gas (SO₂ of 250ppm or more, etc.) may affect the life of the sensor.

Gas inlet/outlet size:

Rc1/4

Power supply: 90 to 126V or 200 to 240V AC, 50/60Hz

Enclosure: Steel casing, for indoor application

Indication: Temperature indication (LED)

Temperature alarm output:

Contact output, SPST (1a) contact

Contact capacity, 220V AC 1A

(resistive load)

Dimensions (H x W x D):

140 x 170 x 190mm

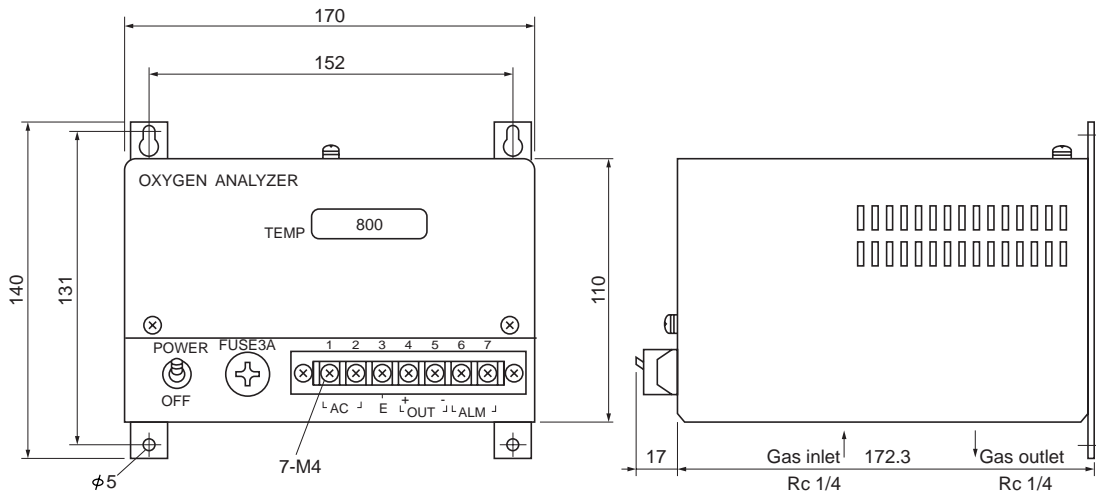
Mass(weight): Approx. 3kg

Finish color: Munsell 5 Y7/1

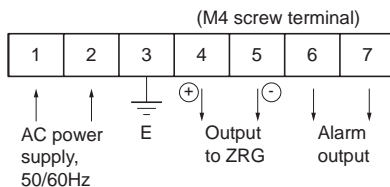
CODE SYMBOLS

1	2	3	4	5	6	7	8	9	10	11	12	13	Description
Z	F	K					4	-	1	Y	0	Y	Y
													Measuring method Zirconia system Zirconia system, (approval by Weight and Measure Act)
													Power supply 90 to 126V AC 50/60Hz 200 to 240V AC 50/60Hz

OUTLINE DIAGRAM (Unit:mm)



External connection diagram



⚠ Caution on Safety

*Before using this product, be sure to read its instruction manual in advance.

Fuji Electric Systems Co., Ltd.

Head Office

6-17, Sanbancho, Chiyoda-ku, Tokyo 102-0075, Japan
<http://www.fesys.co.jp/eng>

Sales Div.

International Sales Dept.

No.1, Fuji-machi, Hino-city, Tokyo, 191-8502 Japan
Phone: 81-42-585-6201, 6202 Fax: 81-42-585-6187
<http://www.fic-net.jp/eng>