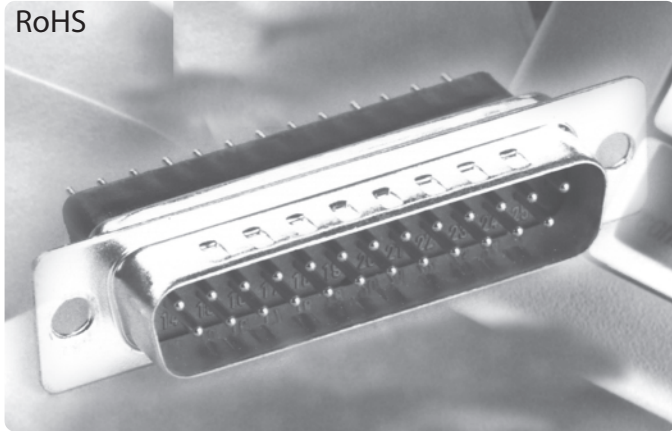
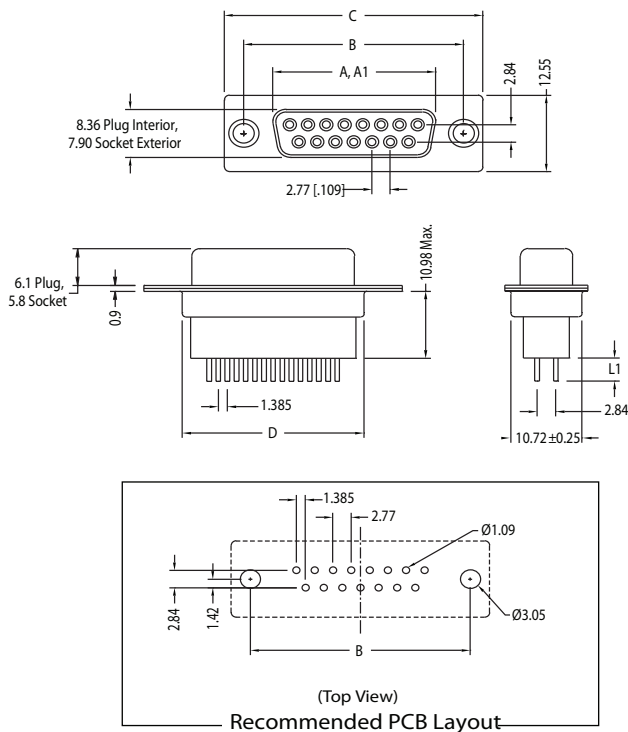


RoHS



## K88X Series Vertical PCB Mount High Profile

### K88X Series Dimensions Dimensions in mm [In]



Number of Contacts (Shell Size)	Dimensions ( mm )				
	A	A1	B	C	D
9 (E)	16.33	16.92	24.99	30.81	19.18
15 (A)	24.66	25.25	33.32	39.14	27.51
25 (B)	38.38	38.96	47.04	53.04	41.00
37 (C)	54.84	55.42	63.50	69.32	57.71

A = Exterior of Female Shell (S) A1 = Interior of Male Shell (P)

[Click Here For Performance Specifications](#)

## D-SUBMINIATURE CONNECTOR

### K88X Series

#### Documentation & Ordering Information


Kycon Part #

#### Part Number Builder

Series	Shell Type	Pin Length	Contact Option	Contact Type	Board Lock Option	Lock	Plating Option
--------	------------	------------	----------------	--------------	-------------------	------	----------------

Series

K88X - D-Subminiature Vertical Connector

Shell Type and Contact Option

E - 9 Contacts

A - 15 Contacts

B - 25 Contacts

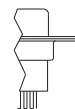
C - 37 Contacts

Pin Length and Board Lock Option

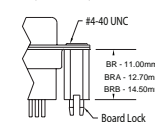
Pin Length	Board Lock Type & Bushing					
D - 3.80mm	Blank	BR	BRJ	K	KJ	R
E - 5.20mm	Blank	BRA	BRAJ	K	KJ	R
F - 7.20mm	Blank	BRB	BRBJ	K	KJ	R

\* J - (4-40) Hex Jack Screws

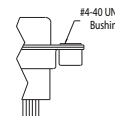
Blank



-BR, -BRA, -BRB



K



Contact Type

P - Pin Contact (Plug)

S - Socket Contact (Receptacle)

Plating Option

Blank - Gold Flash

15 - 15µ" Gold

30 - 30µ" Gold

Contact Kycon for other options