

RoHS



KMDGX Series Stacked Mini-DIN Gold Plated

Features

- Audio, Video, Computer and Digital Equipment Applications
- Mates with Standard and Snap and Lock Plugs
- Space Saving Stacked Design
- Shielded Options Available for Good Conductivity, Grounding and EMI/RFI Protection
- Visual and Mechanical Polarization for Plug Insertion
- Gold Plated Contacts
- Reflow Compatible Design Available

Performance Specifications Materials and Finish

Body : PBT Thermoplastic, Black Color, UL94V-0 Rated

Contacts : Phosphor Bronze,

Shield : Brass, Nickel Plated

Mechanical Characteristics

Insertion Force : 4.5 kg Max

Extraction Force : 0.4 kg - 3.5 kg

Durability : 500 Cycles Minimum

Electrical Characteristics

Contact Current Rating : 2Amp at 12V DC

Insulation Resistance : 500 Megohms Min

Contact Resistance

Before Durability Test : Plug to Terminals : 30 milliohms Max.

After Durability Test : Plug to Terminals : 60 milliohms Max

Dielectric Withstanding Voltage : 500V AC RMS for 1 Minute

Operating Temperature : -25°C to +85°C

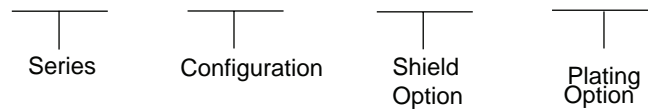
MINI-DINs / CIRCULAR DINs

KMDGX-*S / *S Series

Documentation & Ordering Information

Kycon Part #

Part Number Builder



Series

KMDGX - Stacked PCB Mount Mini-DIN

Configuration

4S/4S - 4 Contacts over 4 Contacts

4S/8S - 4 Contacts over 8 Contacts*

6S/6S - 6 Contacts over 6 Contacts

6S/8S - 6 Contacts over 8 Contacts*

8S/8S - 8 Contacts over 8 Contacts*

Shield Option

S4N - Fully Shielded

S4N1 - Fully Shielded with Mounting Hole

Plating Option

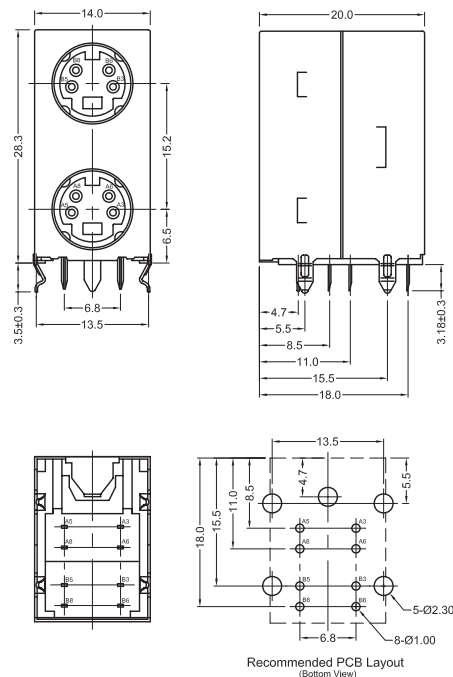
Standard : Gold flash over nickel on contacts.

Tin over nickel on soldertails.

KMDGX Series Dimensions

Dimensions in mm

KMDGX-4S/4S-S4N



* Minimum Quantities May Apply, Contact Factory for Specifications