



SMT Power Inductors - LPT1606 Series



This product has been discontinued as of September 1, 2000

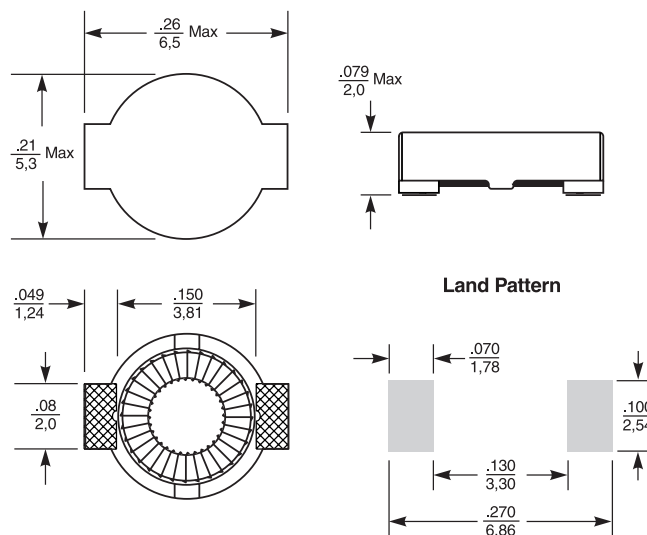
A recommended alternative is the DO1606 Series (page 85). Existing customers will continue to be supported. For further information, please contact Coilcraft.

The LPT1606 Power Wafer® is a very small self-shielded power inductor. Its toroid construction minimizes stray noise while its 2 mm height and tiny footprint free up board space.

The 1 μH part has a saturation current rating of 3 A, remarkable for an inductor this size. The flat top ceramic case is ideal for pick and place handling.

Part number	L $\pm 20\%$ ¹ (μH)	DCR max (Ohms)	SRF typ (MHz)	Isat ² (A)	Irms ³ (A)
LPT1606-102	1.0	0.11	840	3.0	2.0
LPT1606-152	1.5	0.13	505	2.4	1.8
LPT1606-222	2.2	0.16	360	1.8	1.6
LPT1606-332	3.3	0.195	230	1.6	1.5
LPT1606-472	4.7	0.24	165	1.2	1.5
LPT1606-682	6.8	0.345	130	1.1	1.3
LPT1606-103	10	0.44	80	0.8	1.1
LPT1606-153	15	0.65	60	0.7	0.9
LPT1606-223	22	0.83	25	0.6	0.8

- Inductance tested at 100 kHz, 0.1 Vrms.
 - DC current at which the inductance drops 30% (typ) from its value without current.
 - Average current for a 40°C temperature rise from 25°C ambient.
 - Operating and storage temperature range -40°C to +85°C.
 - Electrical specifications at 25°C.
- See Qualification Standards section for environmental and test data.



Terminations: Silver-palladium-platinum

Tape and reel: 750/7" reel; 2500/13" reel 8 mm tape width

Coilcraft®

Specifications subject to change without notice.
Please check our website for latest information.

Document 214-1 Revised 04/27/05

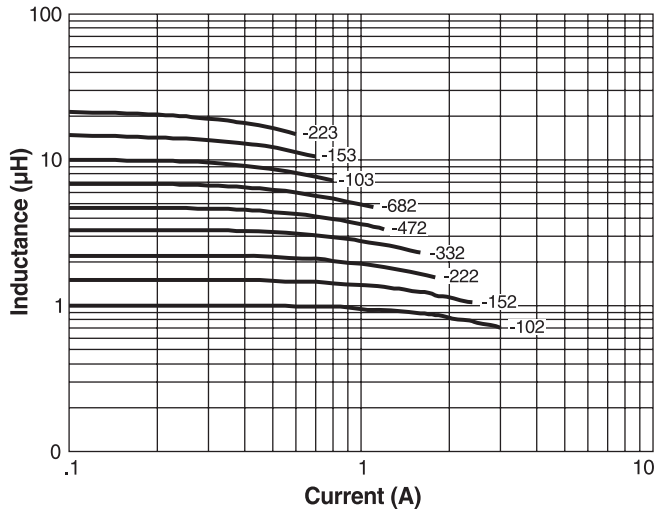
1102 Silver Lake Road Cary, Illinois 60013 Phone 847/639-6400 Fax 847/639-1469

E-mail info@coilcraft.com Web <http://www.coilcraft.com>



SMT Power Inductors - LPT1606 Series

Typical L vs Current



Coilcraft[®]

Specifications subject to change without notice.
Please check our website for latest information.

Document 214-2 Revised 04/27/05

1102 Silver Lake Road Cary, Illinois 60013 Phone 847/639-6400 Fax 847/639-1469

E-mail info@coilcraft.com Web <http://www.coilcraft.com>