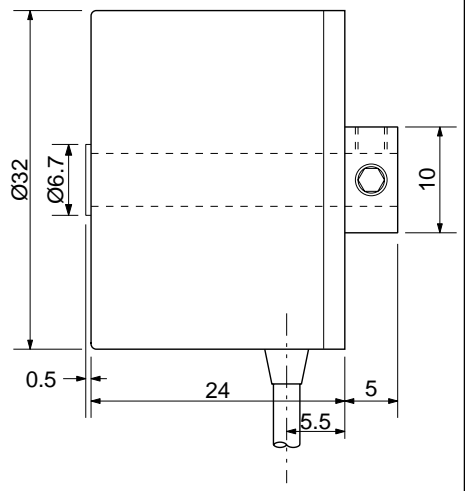
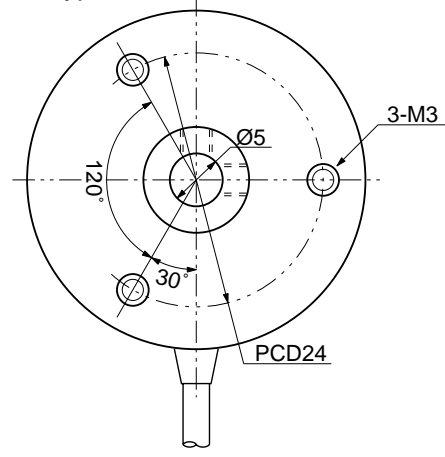


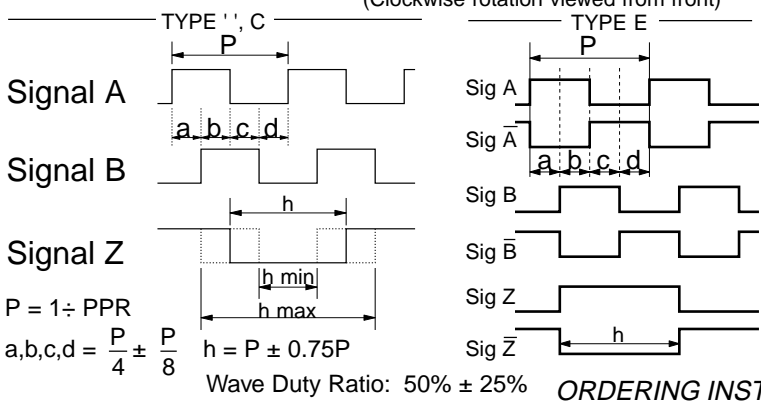
F1 Type



SPECIFICATIONS

	TYPE	" "	C	E
Supply Voltage	5 ~ 12 VDC ±10%		5 ~ 12 VDC 24 VDC ±10%	5VDC ±5%
Current	60mA max.		≤ 150 mA	
Output Voltage	H	V _{cc} - 1V	≥ 4.2V	
	L	≤ 0.5V	≤ 0.5V	
Sink Current	20mA max.		≤ 20 mA	
Signal Risetime	≤ 2μS			
Freq. Response	50 - 100kHz			

OUTPUT WAVEFORM



STANDARD RESOLUTIONS

MEH20-XXXX

50	50 P/R	500	500 P/R
60	60 P/R	600	600 P/R
100	100 P/R	800	800 P/R
200	200 P/R	1000	1000 P/R
250	250 P/R	1024	1024 P/R
256	256 P/R	1200	1200 P/R
300	300 P/R	1800	1800 P/R
360	360 P/R	2000	2000 P/R
400	400 P/R	2048	2048 P/R
		2500	2500 P/R

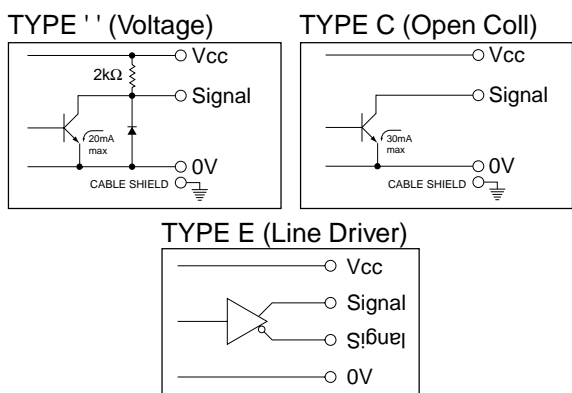
MECHANICAL

1. Max Shaft Load, radial: 2.0 kgf axial: 1.0 kgf
2. Moment of Inertia: 3 g•cm²
3. Angular Acceleration: 1x10⁴ rad/S²
4. Max Slewing Speed: 6000 RPM
5. Starting Torque: 20 gf•cm max.
6. Rotational Life: 1 x 10⁷ rpm•hrs

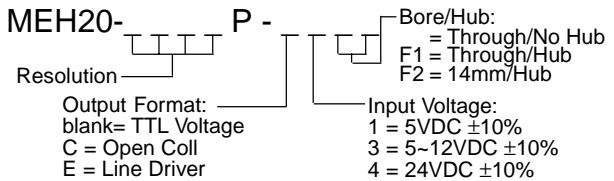
ENVIRONMENTAL

1. Operating Temp: -10° to +60° C
2. Storage Temp: -20° to +80° C
3. Humidity: 90% RH, no condensation
4. Vibration: 10~55 Hz, 1.5 mm, 2 hrs
5. Shock: 50G, 11ms, 3 axes, 3 reps

OUTPUT CIRCUITS



ORDERING INSTRUCTIONS



C U I Stack, Inc.
9615 SW Allen Blvd. #103
Beaverton, OR 97005
Tel: 503/643-4899 FAX: 503/643-6129

DRAWN BY JAS	UPDATED 03/07/00	CHECKED 03/07/00	RELEASED
PART NO. MEH20-XXXXP-XXXX			REV. A