

Reduced Latency DRAM (RLDRAM[®])

MT49H8M32 – 1 Meg x 32 x 8 banks
 MT49H16M16 – 2 Meg x 16 x 8 banks

For the latest data sheet, refer to Micron's Web site: www.micron.com/products/dram/rlDRAM/

Features

- Organization: 8 Meg x 32, 16 Meg x 16 in 8 banks
- Cyclic bank addressing for maximum data bandwidth
- Non multiplexed addresses
- Non interruptible sequential burst of two (2-bit prefetch) and four (4-bit prefetch) DDR
- Up to 600 Mb/sec/pin data rate
- Programmable READ latency (RL) of 5-6
- Data valid signal (DVLD) activated as read data is available
- Data mask signals (DM0/DM1) to mask first and second part of write data burst
- IEEE 1149.1 compliant JTAG boundary scan
- 2.5V VEXT, 1.8V VDD, 1.8V VDDQ I/O
- Pseudo-HSTL 1.8V I/O Supply
- Internal auto precharge
- Refresh requirements: 32ms at 95°C case temperature (8K refresh for each bank, 64K refresh command must be issued in total each 32ms)
- 144-pin, 11mm x 18.5mm μ BGA/FBGA package

Options

- Clock Cycle Timing
 - 3.3ns (300 MHz) -33
 - 4ns (250 MHz) -4
 - 5ns (200 MHz) -5
- Configuration
 - 8 Meg x 32 (1 Meg x 32 x 8 banks) MT49H8M32
 - 16 Meg x 16 (2 Meg x 16 x 8 banks) MT49H16M16
- Operating temperature range
 - Commercial: 0° to +95°C None
 - Industrial: T_C = -40°C to +95°C IT
 - T_A = -40°C to 85°C
- Package
 - 144-ball, μ BGA FM
 - 144-ball, μ BGA (Pb-Free) BM¹
 - 144-ball, FBGA HU
 - 144-ball, FBGA (Pb-Free) HT¹

Marking

Figure 1: 144-Ball FBGA

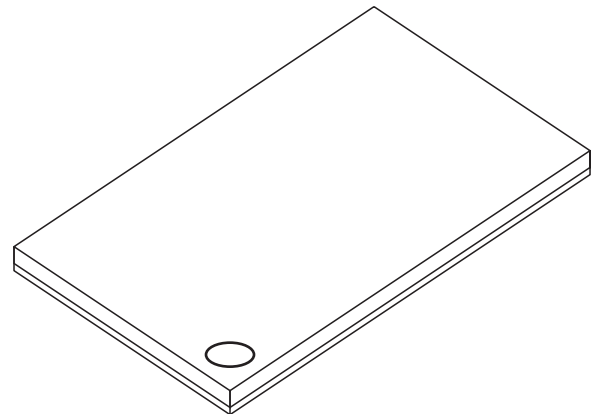


Table 1: Valid Part Numbers

Part Number	Description
MT49H8M32HU-xx	8 Meg x 32
MT49H16M16HU-xx	16 Meg x 16

General Description

The Micron[®] 256Mb reduced latency DRAM (RLDRAM[®]) contains 8 banks x32Mb of memory accessible with 32-bit or 16-bit I/Os in a double data rate (DDR) form at where the data is provided and synchronized with a differential echo clock signal. RLD RAM does not require row/column address multiplexing and is optimized for fast random access and high-speed bandwidth.

RLDRAM is designed for high bandwidth communication data storage—telecommunications, networking, and cache applications, etc.

Notes: 1. Contact factory for availability.



Table of Contents

Features	1
Options	1
General Description	1
Functional Block Diagrams	5
Ball Assignments and Descriptions	7
Commands	9
Initialization	12
MODE REGISTER SET Command (MRS)	14
Configuration Table	16
Write Basic Information	16
Read Basic Information	21
AUTO REFRESH Command (AREF)	26
IEEE 1149.1 Serial Boundary Scan (JTAG)	27
Disabling The JTAG Feature	27
Test Access Port (TAP)	27
Test Clock (TCK)	27
Test Mode Select (TMS)	27
Test Data-in (TDI)	27
Test Data-out (TDO)	28
Performing A Tap RESET	28
Tap Registers	28
Instruction Register	28
Bypass Register	29
Boundary Scan Register	29
Identification (Id) Register	29
Tap Instruction Set	30
Overview	30
EXTEST	30
IDCODE	30
SAMPLE/PRELOAD	30
BYPASS	31
Reserved for Future Use	31
Electrical Characteristics	35
Recommended DC Operation Ranges	35
Package Dimensions	39

List of Figures

Figure 1:	144-Ball FBGA	1
Figure 2:	8 Meg x 32	5
Figure 3:	16 Meg x 16	6
Figure 4:	Clock Command/Address Timings	11
Figure 5:	Power-Up Sequence	12
Figure 6:	Clock Input	13
Figure 7:	MODE REGISTER SET	14
Figure 8:	Mode Register Set Timing	14
Figure 9:	Mode Register Bit Map	15
Figure 10:	WRITE Command	17
Figure 11:	Basic WRITE Burst Timing	17
Figure 12:	WRITE Burst Basic Sequence: BL = 2; WL = 3	18
Figure 13:	WRITE Burst Basic Sequence: BL = 4; WL = 2	18
Figure 14:	WRITE Data Mask Timing: BL = 2; WL = 2	19
Figure 15:	Write Data Mask Timing: BL = 4; WL = 1	20
Figure 16:	WRITE followed by READ: BL = 4; RL = 5; WL = 1	20
Figure 17:	READ Command	21
Figure 18:	Basic READ Burst Timing	22
Figure 19:	READ Burst: BL = 2; RL = 5	23
Figure 20:	READ Burst: BL = 4; RL = 5	23
Figure 21:	READ followed by WRITE: BL = 2; RL = 5; WL = 2	24
Figure 22:	READ followed by WRITE: BL = 2; RL = 5; WL = 2 – Interleaved Data	24
Figure 23:	READ followed by WRITE: BL = 4; RL = 5; WL = 1	25
Figure 24:	READ followed by WRITE: BL = 4; RL = 5; WL = 1 – Interleaved Data	25
Figure 25:	AUTO REFRESH Command	26
Figure 26:	AUTO REFRESH Cycle	26
Figure 27:	TAP Controller State Diagram	28
Figure 28:	TAP Controller Block Diagram	29
Figure 29:	TAP Timing	31
Figure 30:	Output Test Conditions	36
Figure 31:	144-Ball FBGA	39
Figure 32:	144-Ball μ BGA	40

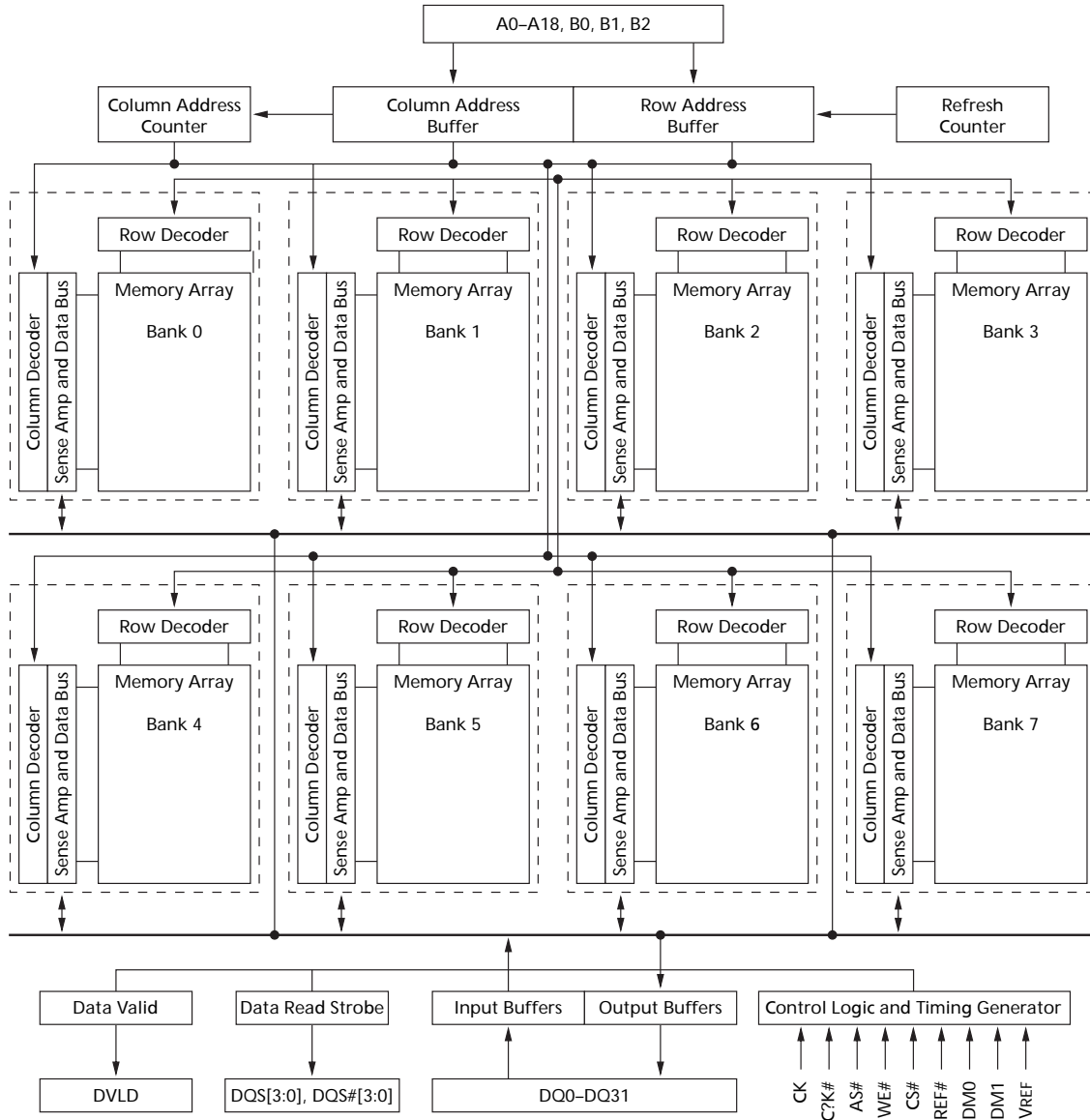


List of Tables

Table 1:	Valid Part Numbers	1
Table 2:	8 Meg x 32 Ball Assignments (Top View) 144-Ball FBGA	7
Table 3:	16 Meg x 16 Ball Assignments (Top View) 144-Ball FBGA	7
Table 4:	Ball Descriptions	8
Table 5:	Address Widths at Different Burst Lengths	9
Table 6:	Command Table	9
Table 7:	Description of Commands	10
Table 8:	AC Electrical Characteristics	11
Table 9:	Clock Input Operating Conditions	13
Table 10:	RLDRAM Configuration Table	16
Table 12:	Timing Parameters	22
Table 13:	TAP AC Electrical Characteristics	32
Table 14:	TAP DC Electrical Characteristics and Operating Conditions	33
Table 15:	Identification Register Definitions	33
Table 16:	Scan Register Sizes	33
Table 17:	Instruction Codes	33
Table 18:	Boundary Scan (Exit) Order	34
Table 19:	Absolute Maximum Ratings	35
Table 20:	DC Electrical Characteristics and Operating Conditions	35
Table 21:	DC Electrical Characteristics and Operating Conditions	36
Table 22:	Capacitance	36
Table 23:	AC Electrical Characteristics and Operating Conditions	36
Table 24:	IDD Operating Conditions and Maximum Limits	37

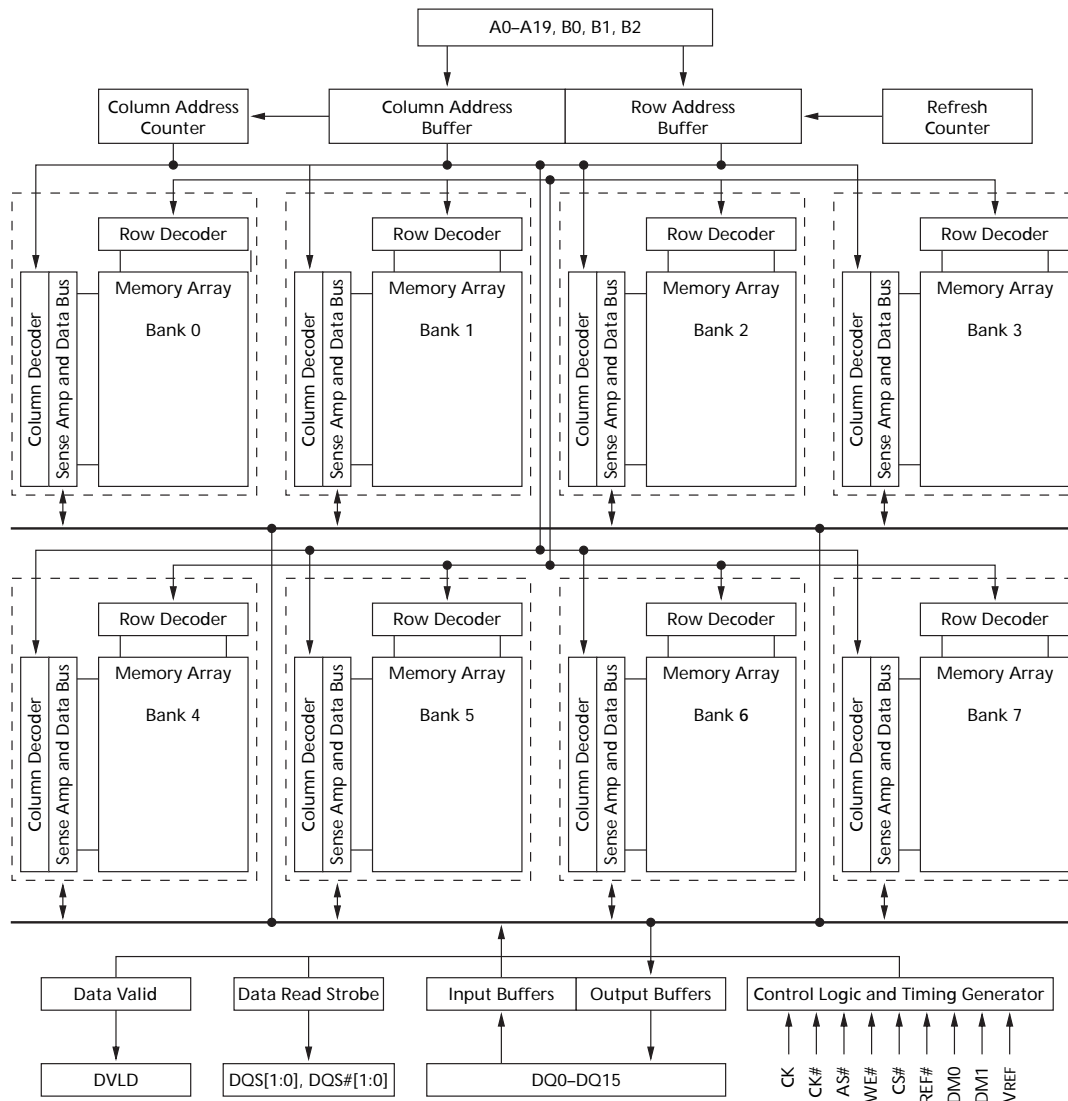
Functional Block Diagrams

Figure 2: 8 Meg x 32



Notes: 1. When the BL = 4 setting is used, A18 is a "Don't Care."

Figure 3: 16 Meg x 16



- Notes: 1. When the BL = 4 setting is used, A19 is a "Don't Care."
2. In the 16 Meg x 16 configuration, only DQS[1:0] and DQS#[1:0] are used.



Ball Assignments and Descriptions

Table 2: 8 Meg x 32 Ball Assignments (Top View) 144-Ball FBGA

	1	2	3	4	5	6	7	8	9	10	11	12
A	VSS	VEXT	VREF	VSS					VSS	VEXT	TMS	TCK
B	VSS	DQ8	DQ9	VSSQ					VSSQ	DQ1	DQ0	VSS
C	VSS	DQ10	DQ11	VDDQ					VDDQ	DQ3	DQ2	VSS
D	VSS	DQS1	DQS1#	VSSQ					VSSQ	DQS0#	DQS0	VSS
E	VSS	DQ12	DQ13	VDDQ					VDDQ	DQ5	DQ4	VSS
F	DM0	DQ14	DQ15	VSSQ					VSSQ	DQ7	DQ6	DVLD
G	A5	A6	A7	VDD					VDD	A2	A1	A0
H	A8	A9	VSS	VSS					VSS	VSS	A4	A3
J	AS#	B2	VDD	VDD					VDD	VDD	B0	CK
K	WE#	REF#	VDD	VDD					VDD	VDD	B1	CK#
L	A18	CS#	VSS	VSS					VSS	VSS	A14	A13
M	A15	A16	A17	VDD					VDD	A12	A11	A10
N	DM1	DQ22	DQ23	VSSQ					VSSQ	DQ31	DQ30	NF ¹
P	VSS	DQ20	DQ21	VDDQ					VDDQ	DQ29	DQ28	VSS
R	VSS	DQS2	DQS2#	VSSQ					VSSQ	DQS3#	DQS3	VSS
T	VSS	DQ18	DQ19	VDDQ					VDDQ	DQ27	DQ26	VSS
U	VSS	DQ16	DQ17	VSSQ					VSSQ	DQ25	DQ24	VSS
V	VSS	VEXT	VREF	VSS					VSS	VEXT	TDO	TDI

Notes: 1. No function. This signal is internally connected and has parasitic characteristics of an address input signal. This may optionally be connected to GND.

Table 3: 16 Meg x 16 Ball Assignments (Top View) 144-Ball FBGA

	1	2	3	4	5	6	7	8	9	10	11	12
A	VSS	VEXT	VREF	VSS					VSS	VEXT	TMS	TCK
B	VSS	NF ¹	NF ¹	VSSQ					VSSQ	DQ1	DQ0	VSS
C	VSS	NF ¹	NF ¹	VDDQ					VDDQ	DQ3	DQ2	VSS
D	VSS	NF ²	NF ²	VSSQ					VSSQ	DQS0#	DQS0	VSS
E	VSS	NF ¹	NF ¹	VDDQ					VDDQ	DQ5	DQ4	VSS
F	DM0	NF ¹	NF ¹	VSSQ					VSSQ	DQ7	DQ6	DVLD
G	A5	A6	A7	VDD					VDD	A2	A1	A0
H	A8	A9	VSS	VSS					VSS	VSS	A4	A3
J	AS#	B2	VDD	VDD					VDD	VDD	B0	CK
K	WE#	REF#	VDD	VDD					VDD	VDD	B1	CK#
L	A19	CS#	VSS	VSS					VSS	VSS	A14	A13
M	A15	A16	A17	VDD					VDD	A12	A11	A10
N	DM1	NF ¹	NF ¹	VSSQ					VSSQ	DQ15	DQ14	A18
P	VSS	NF ¹	NF ¹	VDDQ					VDDQ	DQ13	DQ12	VSS
R	VSS	NF ¹	NF ²	VSSQ					VSSQ	DQS1#	DQS1	VSS
T	VSS	NF ¹	NF ¹	VDDQ					VDDQ	DQ11	DQ10	VSS
U	VSS	NF ¹	NF ¹	VSSQ					VSSQ	DQ9	DQ8	VSS
V	VSS	VEXT	VREF	VSS					VSS	VEXT	TDO	TDI

Notes: 1. No function. This signal is internally connected and has parasitic characteristics of an I/O signal. This may optionally be connected to GND.
2. No function. This signal is internally connected and has parasitic characteristics of an DQS signal. This may optionally be connected to GND.

Table 4: Ball Descriptions

Symbol	Type	Description
CK, CK#	Input	Input clock: CK and CK# are differential clock inputs. Addresses and commands are latched on the rising edge of CK, input data is latched on both edges of CK. CK# is ideally 180 degrees out of phase with CK.
CS#	Input	Chip select: CS# enables the command decoder when low and disables it when HIGH. When the command decoder is disabled, new commands are ignored, but internal operations continue.
AS#, WE#, REF#	Input	Command inputs: Sampled at the positive edge of CK, AS#, WE#, and REF# define (together with CS#) the command to be executed.
A[0:19]	Input	Address inputs: A[0:19] define the row and column addresses for READ and WRITE operations. During a MODE REGISTER SET (MRS), the address inputs define the register settings. They are sampled at the rising edge of CK. In the x32 configuration, A[19] is not used. Refer to Table 5 on page 9 for burst length considerations.
BA[0:2]	Input	Bank address inputs: Select to which internal bank a command is being applied.
DQ[0:31]	Input/ Output	Data input/output: The DQ signals form the 32-bit data bus. During READ commands, the data is referenced to both edges of DQS/DQS#. During WRITE commands, the data is sampled at both edges of CK.
DQSx, DQSx#	Output	Data read strobes: DQSx and DQSx# are the differential data read strobes. During READs, they are transmitted by the RLD _{RAM} and edge-aligned with data. DQSx# is ideally 180 degrees out of phase with DQSx. DQ50 and DQ50# are aligned with DQ0–DQ7. DQ51 and DQ51# are aligned with DQ8–DQ15. DQ52 and DQ52# are aligned with DQ16–DQ23. DQ53 and DQ53# are aligned with DQ24–DQ31.
DVLD	Output	Data valid: The DVLD indicates valid output data. DVLD is edge-aligned with DQSx and DQSx#.
DM0, DM1	Input	Input data mask: DM0 and DM1 are the input mask signal for WRITE data. The first half of the input data burst is masked when DM0 is sampled HIGH along with the WRITE command. The second half of the input data burst is masked when DM1 is sampled HIGH along with the WRITE command.
TMS TDI	Input	IEEE 1149.1 test inputs: JEDEC-standard 1.8V I/O levels. These balls may be left as no connect if the JTAG function is not used in the circuit.
TCK	Input	IEEE 1149.1 clock input: JEDEC-standard 1.8V I/O levels. This ball must be tied to V _{ss} if the JTAG function is not used in the circuit.
TDO	Output	IEEE 1149.1 test output: JEDEC-standard 1.8V I/O level.
VREF	Input	Input reference voltage: Nominally V _{DDQ} /2. Provides a reference voltage for the input buffers.
VEXT	Supply	Power supply: 2.5V nominal. See Table 20 on page 35 for range.
VDD	Supply	Power supply: 1.8V nominal. See Table 20 on page 35 for range.
VDDQ	Supply	Power supply: Isolated output buffer supply. Nominally, 1.8V. See Table 20 on page 35 for range.
Vss	Supply	Power supply: GND.
VssQ	Supply	Power supply: Isolated output buffer supply. GND.
NF	–	No function: These balls may be connected to ground.

Commands

According to the functional signal description, the following command sequences are possible. All input states or sequences not shown are illegal or reserved. All command and address inputs must meet setup and hold times around the rising edge of CK.

Table 5: Address Widths at Different Burst Lengths

Burst Length	x32	x16
BL = 2	18:0	19:0
BL = 4	17:0	18:0

Table 6: Command Table

Note 1

Operation	CS#	AS#	WE#	REF#	A[19:0] ^{2, 3}	B[2:0]	DM[1:0]
READ cycle	L	L	H	H	VALID	VALID	X
WRITE cycle	L	L	L	H	VALID	VALID	VALID
NOP: NO OPERATION	L	H	H	H	X	X	X
DESELECT	H	X	X	X	X	X	X
AUTO REFRESH	L	H	H	L	X	VALID	X
MRS: MODE REGISTER SET ⁴	L	L	L	L	VALID	X	X

- Notes:
1. X = "Don't Care"
H = logic HIGH
L = logic LOW
A = valid address
BA = valid bank address
 2. In the x32 configuration A19 is not used.
 3. See above table; address widths at different burst lengths.
 4. Only A(17:0) are used for the MRS command.

Table 7: Description of Commands

Command	Description
DESEL/NOP ¹	The NOP command is used to perform a no operation to the RLD _{RAM} , which essentially deselects the chip. Use the NOP command to prevent unwanted commands from being registered during idle or wait states. Operations already in progress are not affected. Output values depend on command history.
MRS	The mode register is set via the address inputs A(17:0). See Figure 9 on page 15 for further information. The MRS command can only be issued when all banks are idle and no bursts are in progress.
READ	The READ command is used to initiate a burst read access to a bank. The value on the BA(2:0) inputs selects the bank, and the address provided on inputs A(19:0) selects the data location within the bank.
WRITE	The WRITE command is used to initiate a burst write access to a bank. The value on the BA(2:0) inputs selects the bank, and the address provided on inputs A(19:0) selects the data location within the bank. Input data appearing on the DQs is written to the memory array subject to the DM _x input logic level appearing coincident with the WRITE command. If the DM ₀ signal is registered LOW, the first half of the burst WRITE data will be written to memory, if registered HIGH, the corresponding data inputs will be ignored (i.e., this part of the data word will not be written). If the DM ₁ signal is registered LOW, the second half of the burst WRITE data will be written to memory, if registered HIGH, the corresponding data inputs will be ignored (i.e., this part of the data word will not be written).
AREF	The AREF is used during normal operation of the RLD _{RAM} to refresh the memory content of a bank. The command is nonpersistent, so it must be issued each time a refresh is required. The value on the BA(2:0) inputs selects the bank. The refresh address is generated by an internal refresh controller, effectively making each address bit a "Don't Care" during the AREF command. The RLD _{RAM} requires 64K cycles at an average periodic interval of 0.49μs ² (MAX). To improve efficiency, eight AREF commands (one for each bank) can be posted to the RLD _{RAM} at periodic intervals of 3.9μs. ³

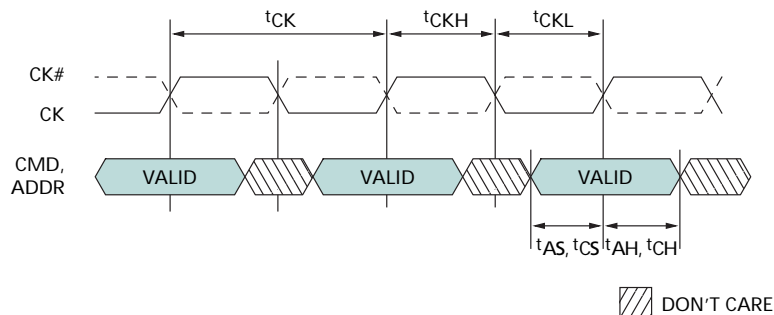
- Notes:
1. When the chip is deselected, internal NOP commands are generated and no commands are accepted.
 2. Actual refresh is 32ms/8K/8 = 0.488μs.
 3. Actual refresh is 32ms/8k = 3.90μs.

Table 8: AC Electrical Characteristics
Note 1

Description	Symbol	-33		-4		-5		Units	Notes
		Min	Max	Min	Max	Min	Max		
Clock									
Clock cycle time	t _{CK}	3.3		4.0		5.0		ns	2
System frequency	f _{CK}		300		250		200	MHz	
Clock HIGH time	t _{CKH}	0.45	0.55	0.45	0.55	0.45	0.55	t _{CK}	
Clock LOW time	t _{CKL}	0.45	0.55	0.45	0.55	0.45	0.55	t _{CK}	
MODE REGISTER SET cycle time to any command	t _{MRSC}	4		4		4		t _{CK}	
Setup Times³									
Address/command and input setup time	t _{AS} /t _{CS}	1.0		1.0		1.0		ns	
Data-in and data mask to DK setup time	t _{DS}	0.5		0.5		0.5		ns	
Hold Times									
Address/command and input hold time	t _{AH} /t _{CH}	1.0		1.0		1.0		ns	
Data-in and data mask to DK hold time	t _{DH}	0.5		0.5		0.5		ns	
Data and Data Strobe									
DQS, DQS# HIGH time	t _{DQSH}	0.4	0.6	0.4	0.6	0.4	0.6	t _{CK}	
DQS, DQS# LOW time	t _{DQSL}	0.4	0.6	0.4	0.6	0.4	0.6	t _{CK}	
Clock to DQS, DQS#	t _{CKDQS}	2.4	3.9	2.4	3.9	2.4	3.9	ns	
DQS to output valid	t _{DQSQ}		0.35		0.35		0.35	ns	4
DQS to output High-Z	t _{QSQHZ}		0.4		0.4		0.4	ns	
DQS to DVLD	t _{QSVLD}	-0.4	0.4	-0.4	0.4	-0.4	0.4	ns	5

- Notes:
1. All timing parameters are measured relative to the crossing point of CK/CK# and to the crossing point with V_{REF} of the command and address signals.
 2. CK/CK# input slew rate must be >1V/ns (>2V/ns if measured differentially).
 3. The signal input slew rate must be >1V/ns.
 4. Parameter only valid within one DQS/DQ group, e.g., DQS0, DQS0#, and DQ0–DQ7; DQS1, DQS1#, and DQ8–DQ15.
 5. The rising and falling edges of DVLD are referenced to falling edges of DQS.

Figure 4: Clock Command/Address Timings



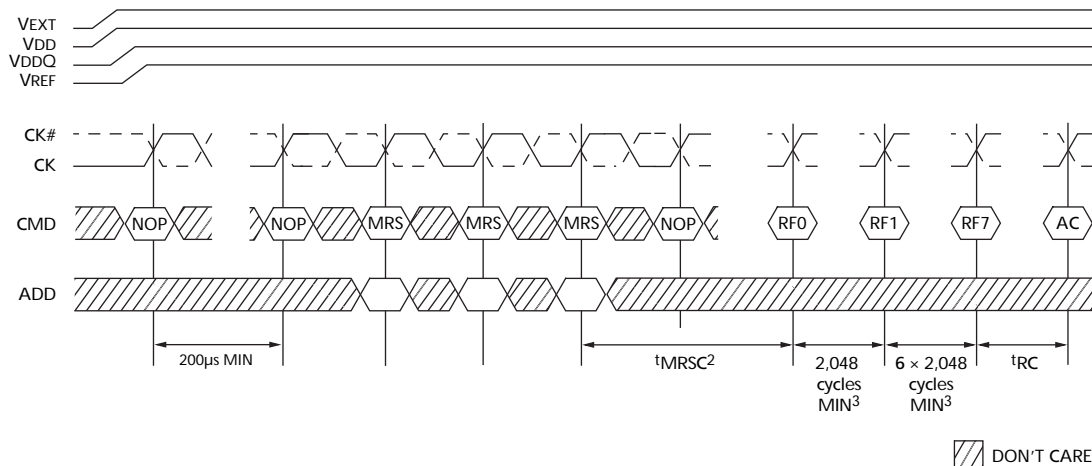
Initialization

The RLD_{RAM} must be powered up and initialized in a predefined manner. Operational procedures other than those specified may result in undefined operations or permanent damage to the device.

The following sequence is used for power-up:

1. Apply power (V_{EXT}, V_{DD}, V_{DDQ}, V_{REF}) and start clock as soon as the supply voltages are stable. Apply V_{DD} and V_{EXT} before or at the same time as V_{DDQ}. Apply V_{DDQ} before or at the same time as V_{REF}. Although there is no timing relation between V_{EXT} and V_{DD}, the chip starts the power-up sequence only after both voltages are at their nominal levels. The pad supply must not be applied before the core supplies. CK/CK# must meet V_{ID}(DC) prior to being applied. Maintain all remaining balls in NOP conditions.
2. Maintain stable conditions for 200μs (MIN).
3. Issue three MODE REGISTER SET (MRS) commands: two dummies plus one valid MRS. It is recommended that the dummy MRS commands are the same value as the desired MRS.
4. ^tMRSC after the valid MRS, issue eight AUTO REFRESH commands, one on each bank and separated by 2,048 cycles. Initial bank refresh order does not matter.
5. After ^tRC, the chip is ready for normal operation.

Figure 5: Power-Up Sequence

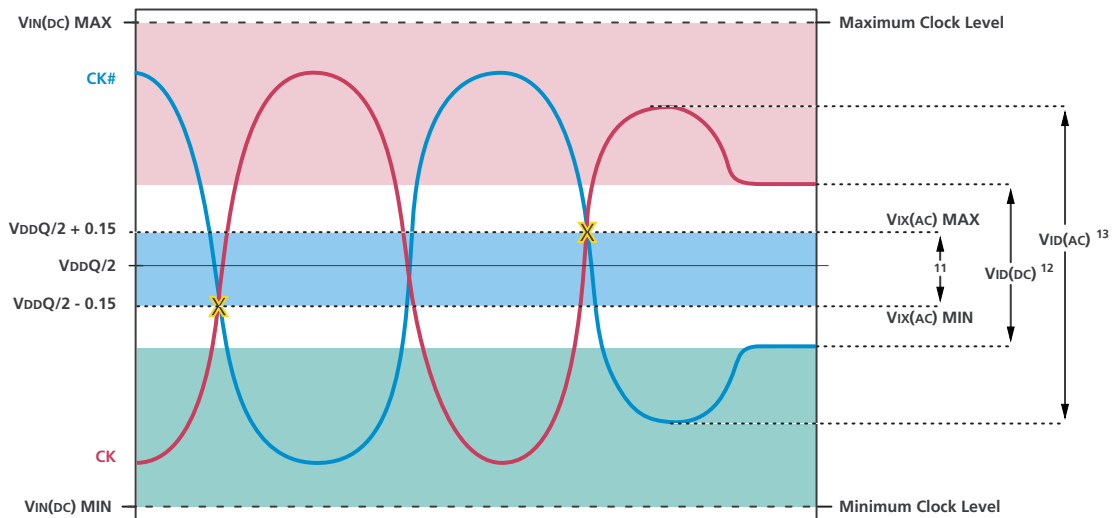


- Notes:
1. MRS: MRS command
RFx: REFRESH Bank x
AC: any command
 2. During ^tMRSC, NOP command must be given on the rising edge of CK.
 3. When the RLD_{RAM} is powered up with the matched impedance mode inactive, the 2,048 cycles between the eight REFRESH commands are not required. These cycles are necessary in order to calibrate the output drivers.

Table 9: Clock Input Operating Conditions
Notes 1–8

Parameter/Condition	Symbol	Min	Max	Units	Notes
Clock input voltage level; CK and CK#	V _{IN(DC)}	-0.3	V _{DDQ} + 0.3	V	
Clock input differential voltage; CK and CK#	V _{ID(DC)}	0.3	V _{DDQ} + 0.6	V	9
Clock input differential voltage; CK and CK#	V _{ID(AC)}	0.6	V _{DDQ} + 0.6	V	9
Clock input crossing point voltage; CK and CK#	V _{IX(AC)}	V _{DDQ} /2 - 0.15	V _{DDQ} /2 + 0.15	V	10

Figure 6: Clock Input

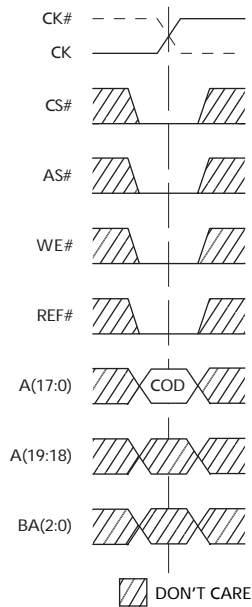


- Notes:
1. DQSx and DQSx# have the same requirements as CK and CK#.
 2. All voltages referenced to V_{SS}.
 3. Tests for AC timing, I_{DD}, and electrical AC and DC characteristics may be conducted at nominal reference/supply voltage levels, but the related specifications and device operations are tested for the full voltage range specified.
 4. Outputs (except for I_{DD} measurements) measured with equivalent load.
 5. AC timing and I_{DD} tests may use a V_{IL}-to-V_{IH} swing of up to 1.5V in the test environment, but input timing is still referenced to V_{REF} (or to the crossing point for CK/CK#), and parameter specifications are tested for the specified AC input levels under normal use conditions. The minimum slew rate for the input signals used to test the device is ≥1V/ns in the range between V_{IL(AC)} and V_{IH(AC)}.
 6. The AC and DC input level specifications are as defined in the HSTL Standard (i.e., the receiver will effectively switch as a result of the signal crossing the AC input level, and will remain in that state as long as the signal does not ring back above [below] the DC input LOW [HIGH] level).
 7. The CK/CK# input reference level (for timing referenced to CK/CK#) is the point at which CK and CK# cross. The input reference level for signals other than CK/CK# is V_{REF}.
 8. CK and CK# input slew rate must be ≥1V/ns (≥2V/ns if measured differentially).
 9. V_{ID} is the magnitude of the difference between the input level on CK and the input level on CK#.
 10. The value of V_{IX} is expected to equal V_{DDQ}/2 of the transmitting device and must track variations in the DC level of the same.
 11. CK and CK# must cross within this region.
 12. CK and CK# must meet at least V_{ID(DC)} MIN when static and centered around V_{DDQ}/2.
 13. Minimum peak-to-peak swing.

MODE REGISTER SET Command (MRS)

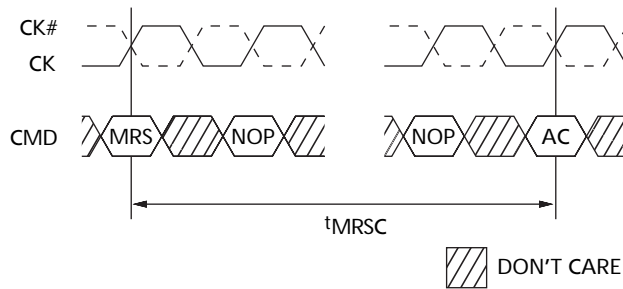
The mode register stores the data for controlling the operating modes of the memory. It programs the RLD_{RAM} configuration, burst length, and I/O options. During a MODE REGISTER SET command, the address inputs A(17:0) are sampled and stored in the mode register. ^tM_{RSC} must be met before any command can be issued to the RLD_{RAM}. The mode register may be set at any time during device operation. However, any pending operations are not guaranteed to successfully complete.

Figure 7: MODE REGISTER SET



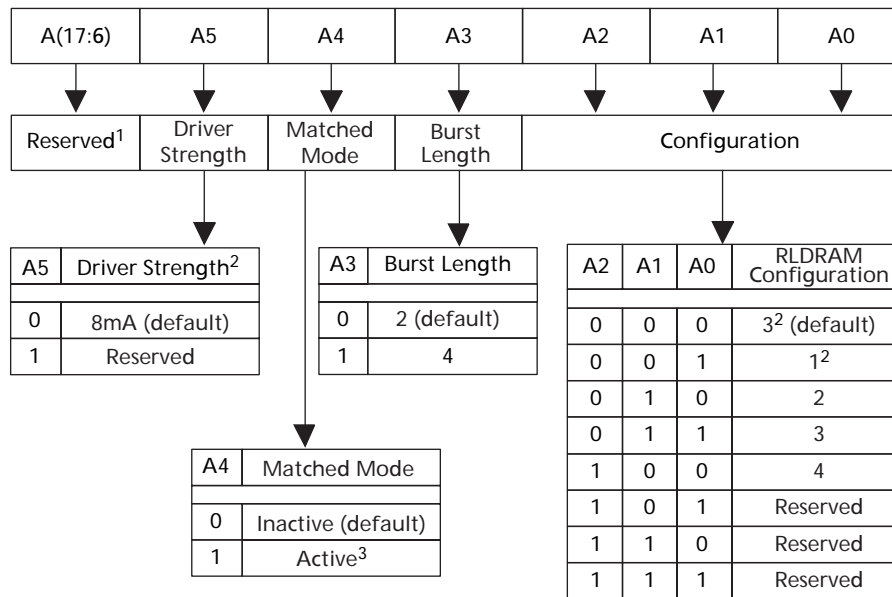
Notes: 1. COD: code to be loaded into the register

Figure 8: Mode Register Set Timing



Notes: 1. MRS: MRS command
 AC: any command

Figure 9: Mode Register Bit Map



- Notes:
1. Bits A(17:6) *must* be set to zero.
 2. HSTL-compliant current specification.
 3. Automatic I/O impedance calibration is activated in matched mode.

Configuration Table

The table below shows the different RLD_{RAM} configurations that can be programmed into the mode register for different operating frequencies. The READ and WRITE latency (^tRL and ^tWL) values, along with the row cycle times (^tRC), are shown in clock cycles, as well as in nanoseconds. The shaded areas correspond to configurations that are not allowed.

Table 10: RLD_{RAM} Configuration Table

Frequency	Symbol	Configuration				Units
		1	2	3	4	
	^t RC	5	6	7	8	Cycles
	^t RL	5	5	5	6	Cycles
	^t WL (BL = 2)	2	2	2	3	Cycles
	^t WL (BL = 4)	1	1	1	2	Cycles
300 MHz	^t RC				26.7	ns
	^t RL				20.0	ns
	^t WL (BL = 2)				10.0	ns
	^t WL (BL = 4)				6.7	ns
250 MHz	^t RC			28.0	32.0	ns
	^t RL			20.0	24.0	ns
	^t WL (BL = 2)			8.0	12.0	ns
	^t WL (BL = 4)			4.0	8.0	ns
200 MHz	^t RC	25.0	30.0	35.0	40.0	ns
	^t RL	25.0	25.0	25.0	30.0	ns
	^t WL (BL = 2)	10.0	10.0	10.0	15.0	ns
	^t WL (BL = 4)	5.0	5.0	5.0	10.0	ns

Write Basic Information

Write accesses are initiated with a WRITE command, as shown in the Figure 10. Row and bank addresses are provided together with the WRITE command.

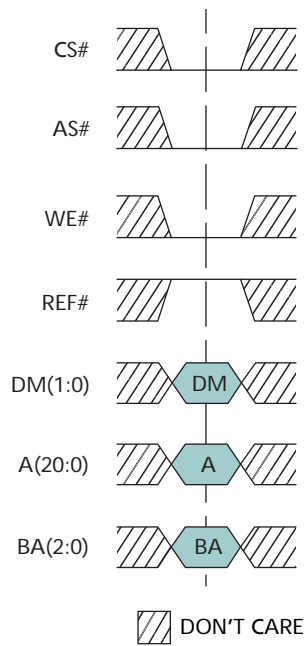
During WRITE commands, data will be registered at both edges of CK according to the programmed burst length (BL). The first valid data will be registered with the first rising CK edge WL cycles after the WRITE command has been issued.

Any WRITE burst may be followed by a subsequent READ command. Figure 16 on page 20 illustrates the timing requirements for a WRITE followed by a READ for burst of four.

Setup and hold times for incoming DQ relative to the CK edges are specified as ^tDS and ^tDH.

The first or second part of the incoming data burst is masked if the corresponding DMx signal is sampled HIGH along with the WRITE command. The setup and hold times for data mask are the same as for address and command.

Figure 10: WRITE Command



- Notes: 1. A: address
BA: bank address
DM: data mask

Figure 11: Basic WRITE Burst Timing

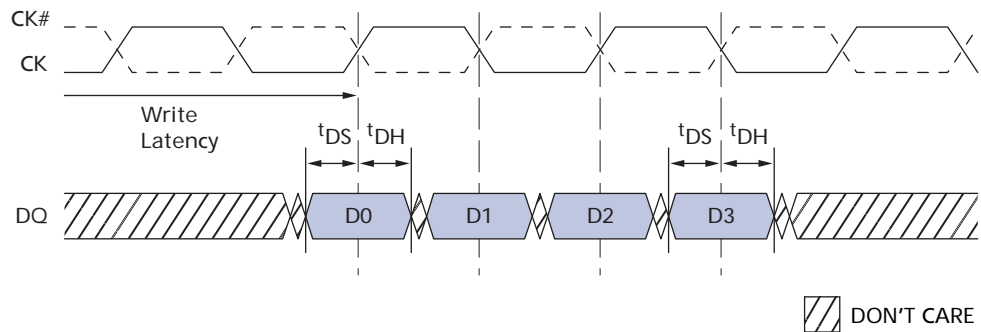


Table 11: Timing Parameters

Symbol	-33	-4	-5	Units
	Min/Max	Min/Max	Min/Max	
t _{DS}	0.5	0.5	0.5	ns
t _{DH}	0.5	0.5	0.5	ns

Figure 12: WRITE Burst Basic Sequence: BL = 2; WL = 3

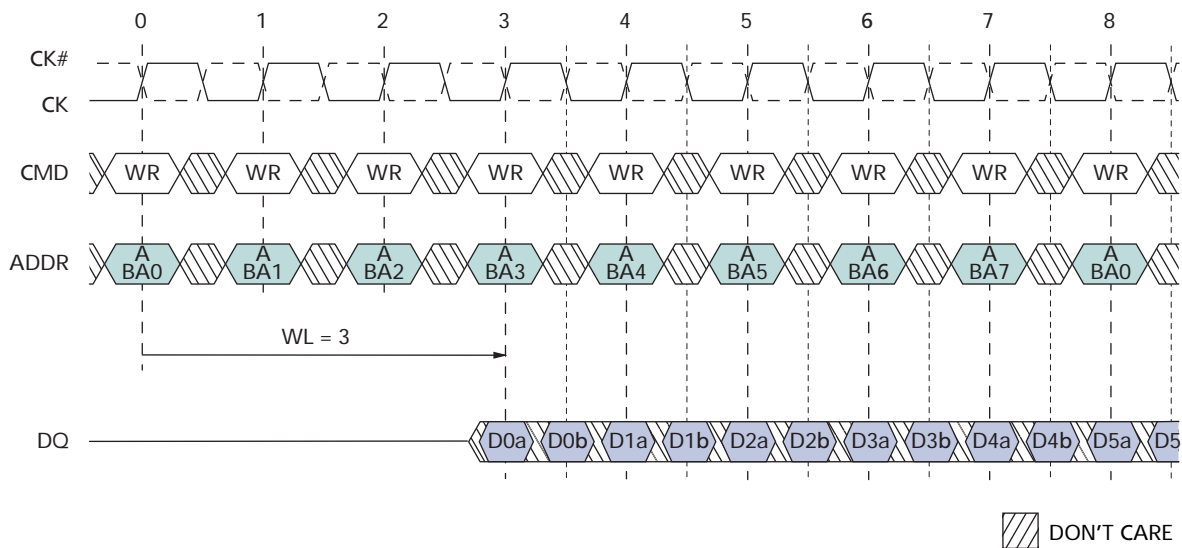
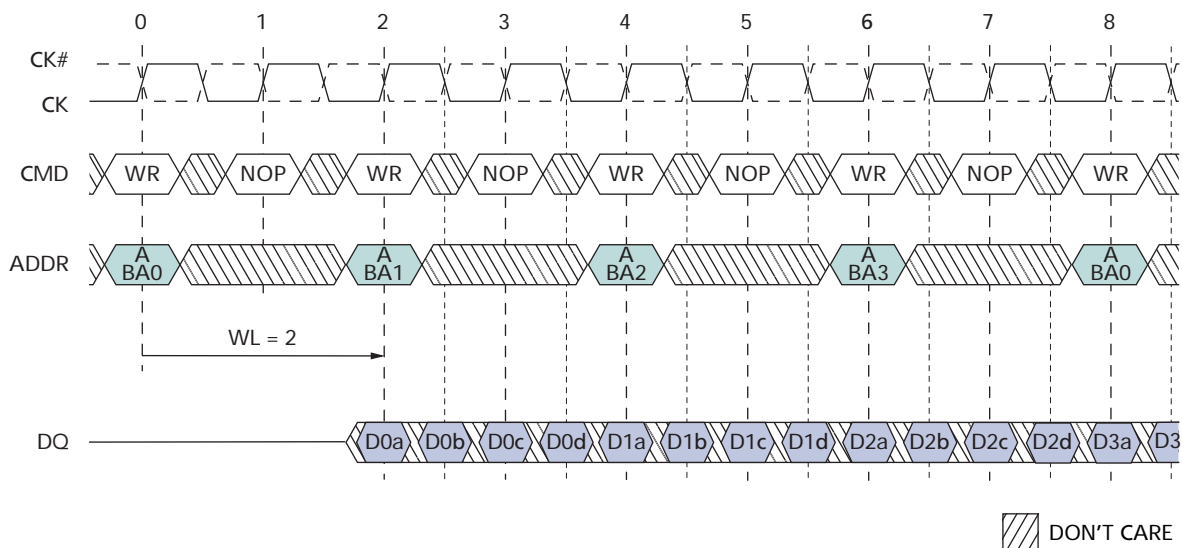
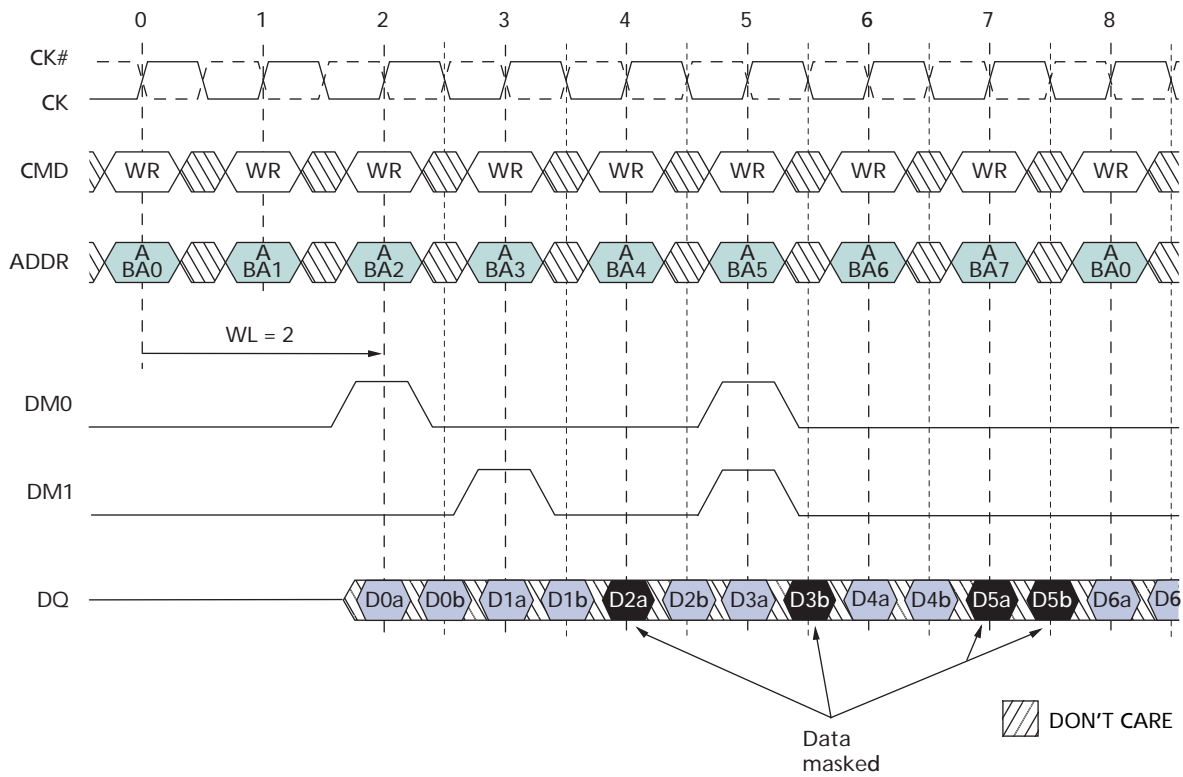


Figure 13: WRITE Burst Basic Sequence: BL = 4; WL = 2



- Notes:
1. A/BA_x: address A of bank x
WR: WRITE
D_{xy}: data y to bank x
WL: WRITE latency
 2. Any free bank may be used in any given CMD. The sequence shown is only one example of a bank sequence.

Figure 14: WRITE Data Mask Timing: BL = 2; WL = 2



- Notes:
1. A/BA_x: address A of bank x
WR: WRITE
D_{xy}: data y to bank x
WL: WRITE latency
 2. Any free bank may be used in any given CMD. The sequence shown is only one example of a bank sequence.

Figure 15: Write Data Mask Timing: BL = 4; WL = 1

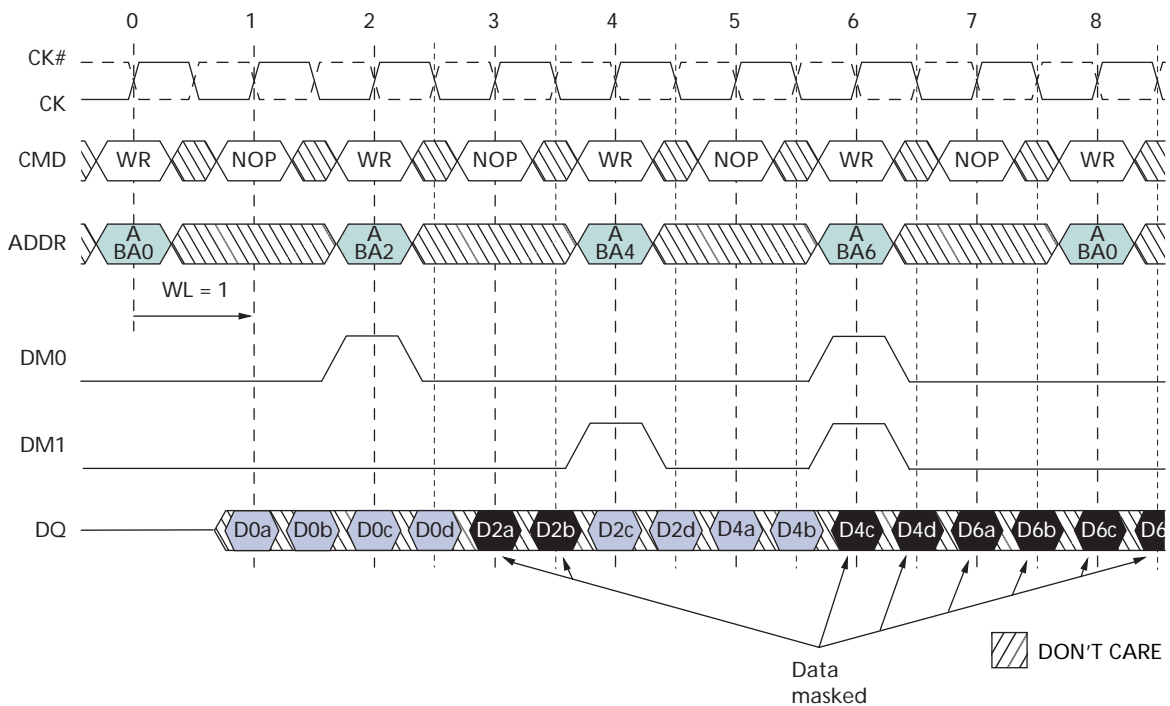
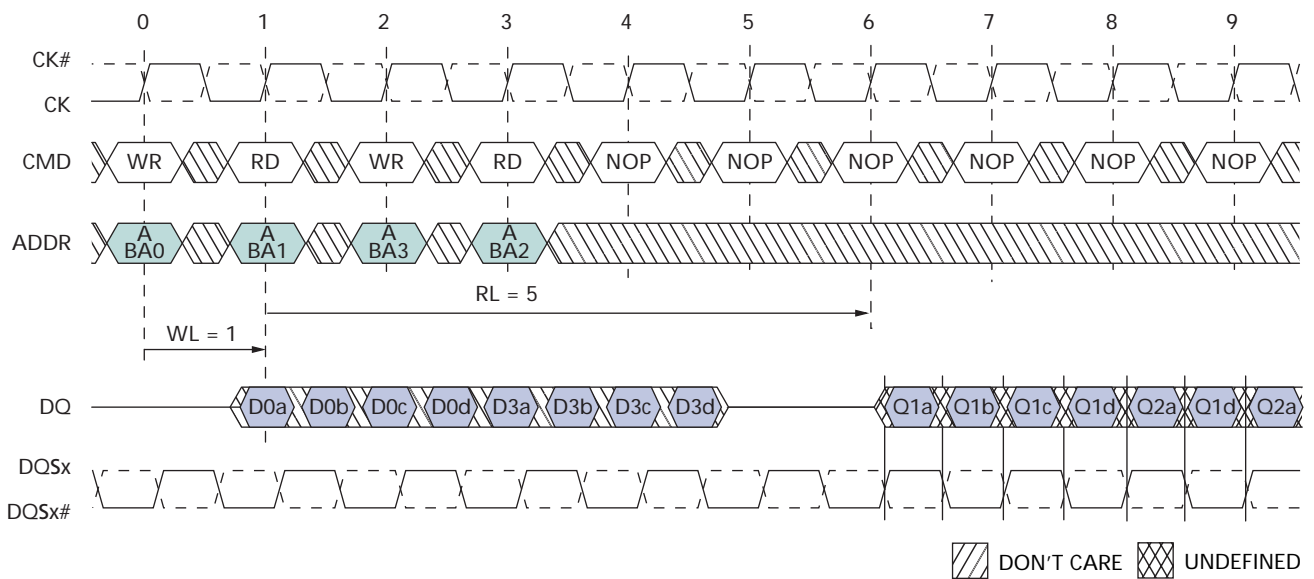


Figure 16: WRITE followed by READ: BL = 4; RL = 5; WL = 1



- Notes: 1. A/BA_x: address A of bank x
 WR: WRITE
 D_{xy}: data y to bank x
 WL: WRITE latency
 RD: READ
 Q_{xy}: data y from bank x
 RL: READ latency

Read Basic Information

Read accesses are initiated with a READ command, as shown in Figure 17. Row and bank addresses are provided with the READ command.

During READ bursts, the memory device drives the read data edge-aligned with the DQS signal. After a programmable READ latency, data is available at the outputs. The data valid signal indicates that valid data will be present in the next half clock cycle.

The skew between DQS and the crossing point of CK is specified as t_{CKDQS} . t_{DQSQ} is the skew between DQS and the last valid data edge considered over all the data generated at the DQ signals. t_{DQSQ} is derived at each DQS clock edge and is not cumulative over time.

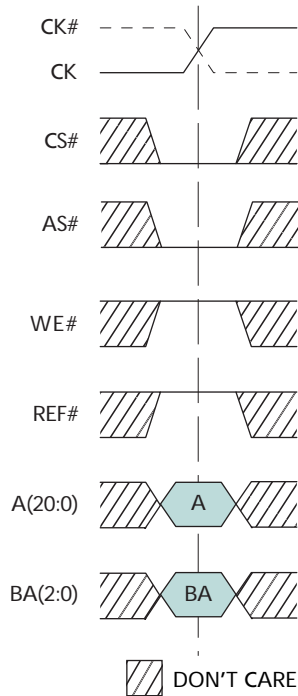
After completion of a burst, assuming no other commands have been initiated, output data (DQ) will go to High-Z. Back-to-back READ commands are possible, producing a continuous flow of output data.

The data valid window is derived from each DQS transition and is defined as:

$$\text{MIN}(t_{CKH}, t_{CKL}) - 2 t_{DQSQ}(\text{MAX})$$

Any READ burst may be followed by a subsequent WRITE command. Figures 21–24 on page 24–25 illustrate the timing requirements for a READ followed by a WRITE. Depending on the programmed READ latency, a READ-to-WRITE delay occurs in order to prevent bus contention. Some systems having long line lengths or severe skews may need additional idle cycles inserted.

Figure 17: READ Command



- Notes: 1. A: address
 BA: bank address

Figure 18: Basic READ Burst Timing

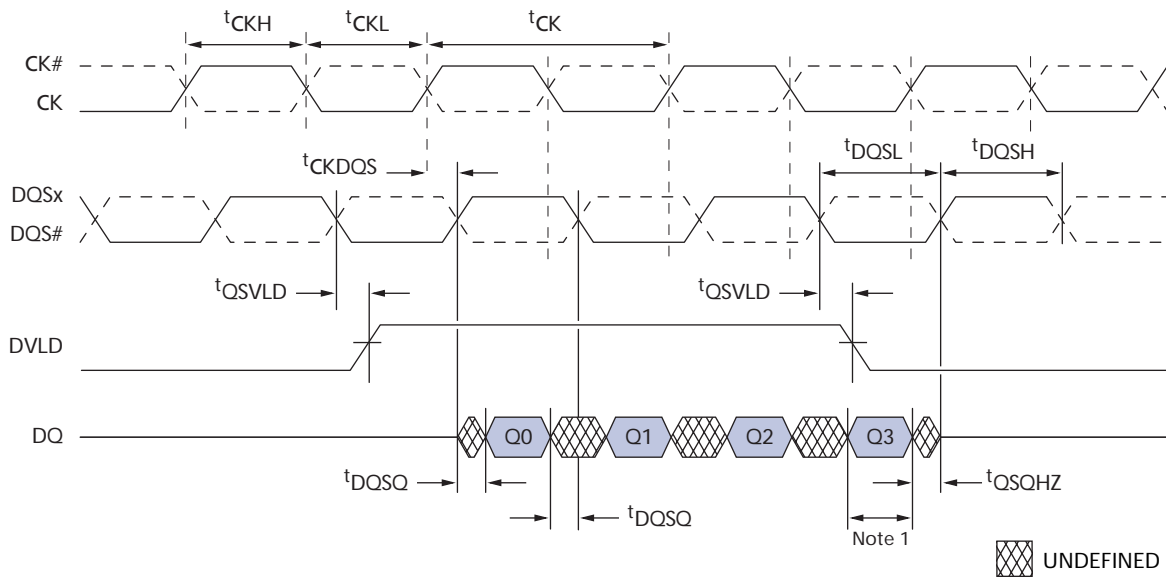


Table 12: Timing Parameters

Symbol	-33		-4		-5		Units
	Min	Max	Min	Max	Min	Max	
t _{CK}	3.3		4.0		5.0		ns
t _{CKH}	0.45	0.55	0.45	0.55	0.45	0.55	t _{CK}
t _{CKL}	0.45	0.55	0.45	0.55	0.45	0.55	t _{CK}
t _{CKDQS}	2.4	3.9	2.4	3.9	2.4	3.9	ns
t _{DOSQ}		0.35		0.35		0.35	ns
t _{OSQHZ}		0.4		0.4		0.4	ns
t _{OSVLD}	-0.4	0.4	-0.4	0.4	-0.4	0.4	ns
t _{DOSH}	0.4	0.6	0.4	0.6	0.4	0.6	t _{CK}
t _{DOSL}	0.4	0.6	0.4	0.6	0.4	0.6	t _{CK}

Notes: 1. Minimum data valid window can be expressed as MIN (t_{CKH}, t_{CKL}) - 2 × t_{DOSQ} (MAX).

Figure 19: READ Burst: BL = 2; RL = 5

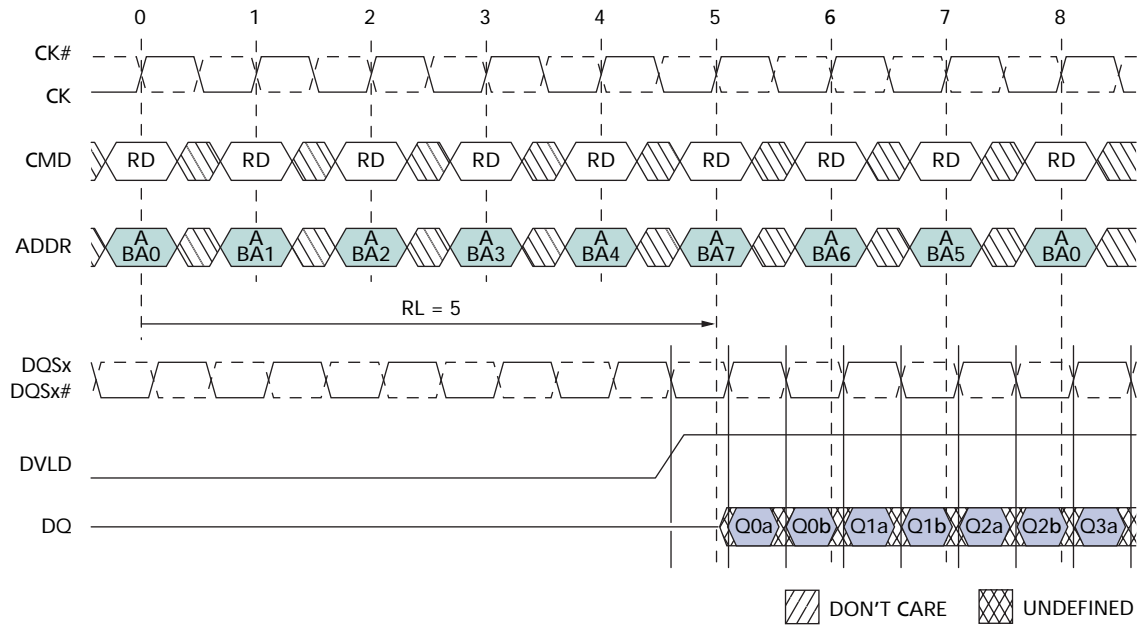
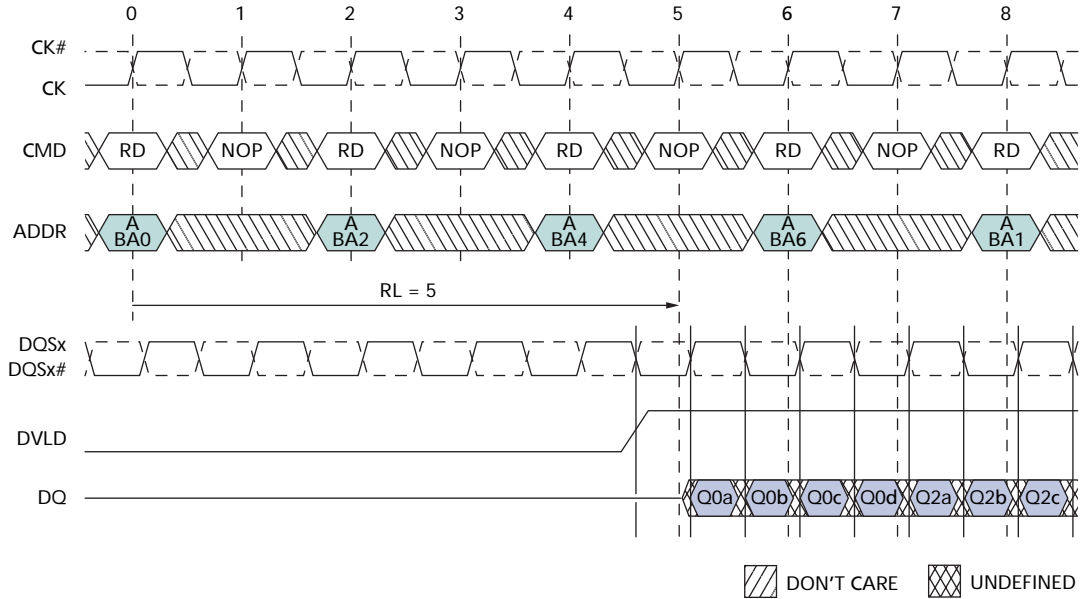


Figure 20: READ Burst: BL = 4; RL = 5



- Notes: 1. A/BAx: address A of bank x
 Dxy: data y to bank x
 RC: row cycle time
 RL: READ latency

Figure 21: READ followed by WRITE: BL = 2; RL = 5; WL = 2

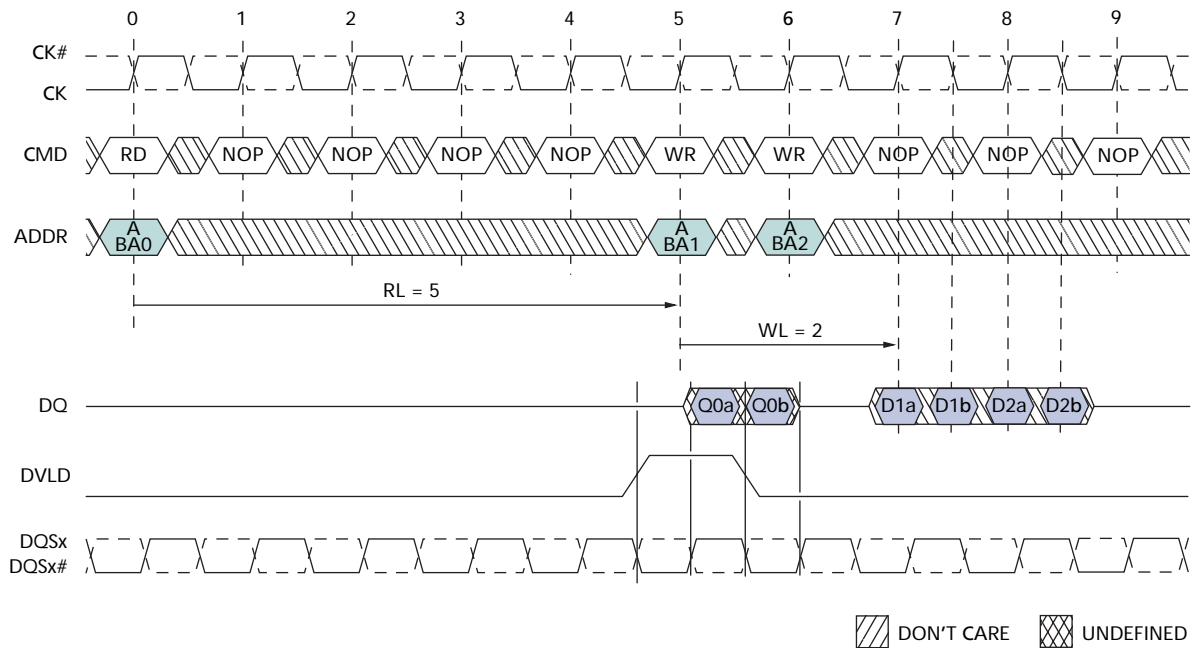
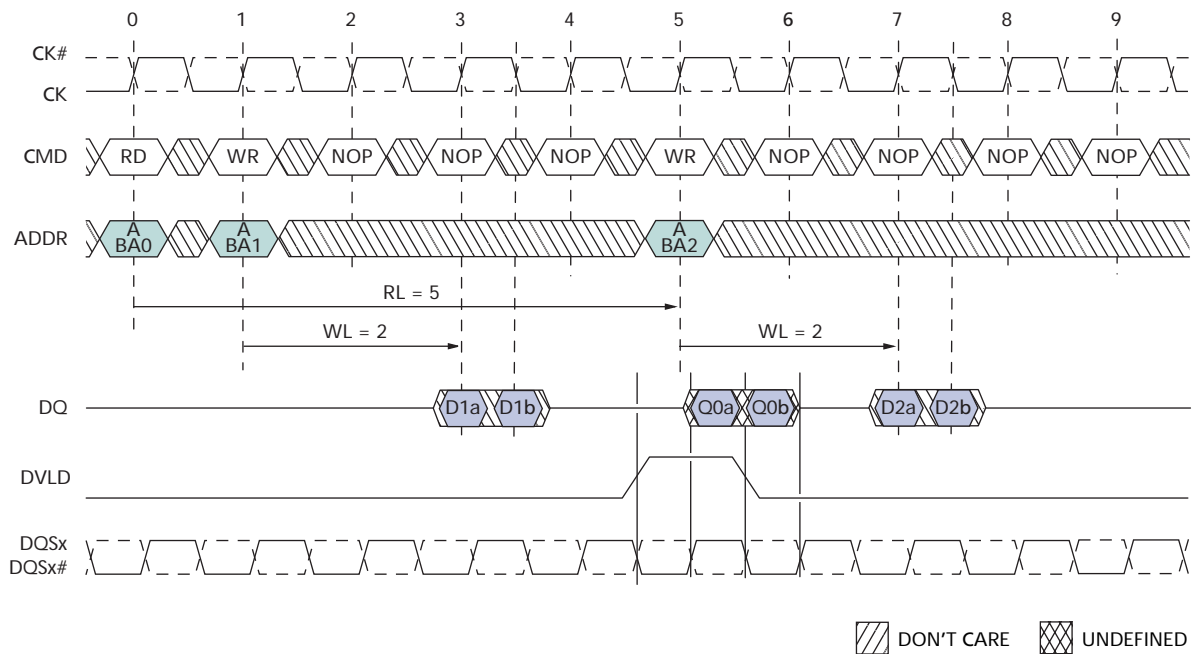


Figure 22: READ followed by WRITE: BL = 2; RL = 5; WL = 2 - Interleaved Data



- Notes: 1. A/BA_x: address A of bank x
 D_{xy}: data y to bank x
 RD: READ
 RL: READ latency
 WL: WRITE latency

Figure 23: READ followed by WRITE: BL = 4; RL = 5; WL = 1

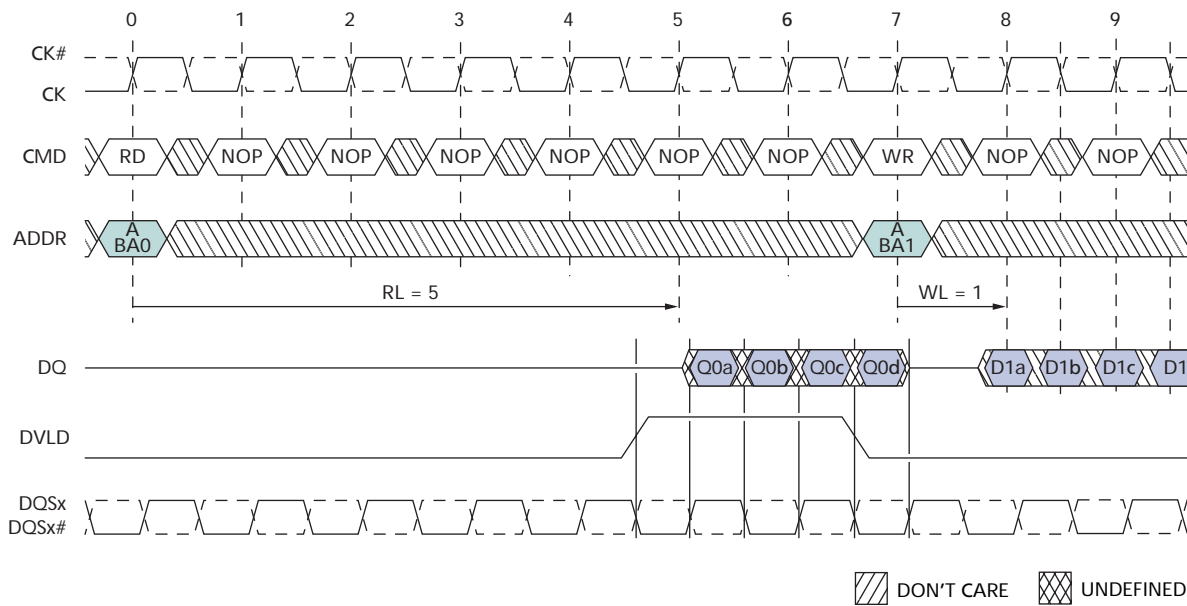
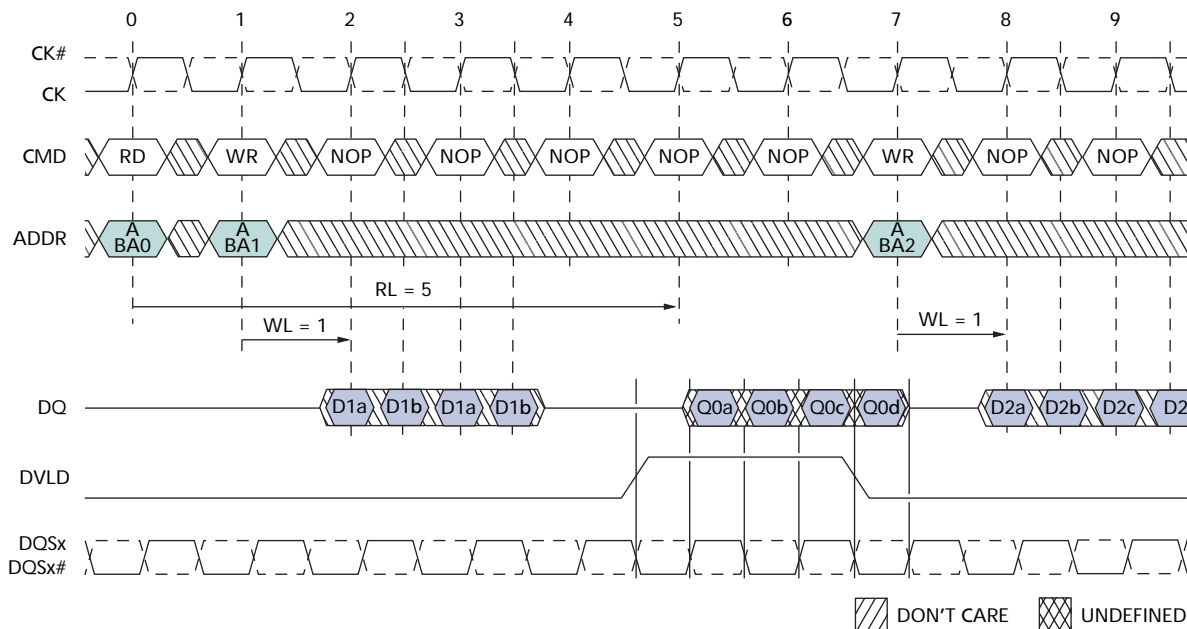


Figure 24: READ followed by WRITE: BL = 4; RL = 5; WL = 1 - Interleaved Data



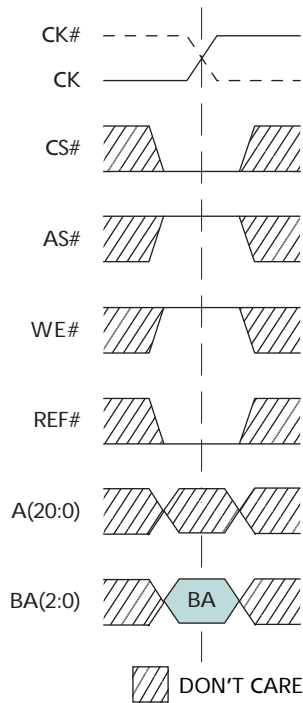
- Notes: 1. A/BAx: address A of bank x
 Dxy: data y to bank x
 RD: READ
 RL: READ latency
 WL: WRITE latency

AUTO REFRESH Command (AREF)

AREF is used to perform a REFRESH cycle on 1 row in a specific bank. The row addresses are generated by an internal refresh counter for each bank; external address balls are “Don’t Care.” The delay between the AREF command and a subsequent command to the same bank must be at least t_{RC} .

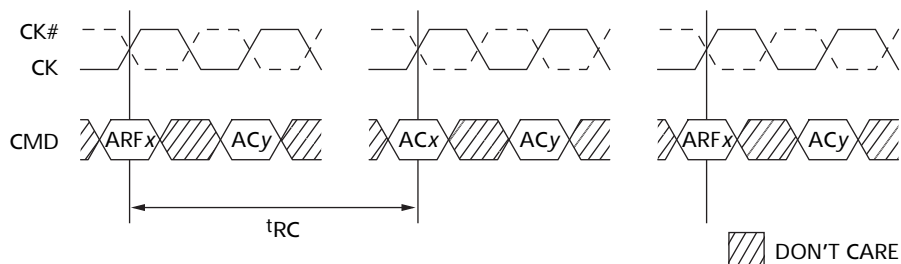
Within a period of 32ms (t_{REF}), the entire memory must be refreshed. Figure 25 illustrates an example of a continuous refresh sequence. Other refresh strategies, such as burst refresh, are also possible.

Figure 25: AUTO REFRESH Command



Notes: 1. BA: Bank address

Figure 26: AUTO REFRESH Cycle



Notes: 1. ACx: any command on bank x
 ARFx: auto refresh bank x
 ACy: any command on different bank
 2. t_{RC} is configuration-dependent. Refer to Table 10 on page 16.

IEEE 1149.1 Serial Boundary Scan (JTAG)

The RLD_{RAM} incorporates a serial boundary scan test access port (TAP). This port operates in accordance with IEEE Standard 1149.1-1990 but does not have the set of functions required for full 1149.1 compliance. These functions from the IEEE specification are excluded because their inclusion places an added delay in the critical speed path of the RLD_{RAM}. Note that the TAP controller functions in a manner that does not conflict with the operation of other devices using 1149.1 fully compliant TAPs. The TAP operates using JEDEC-standard 1.8V I/O logic levels.

The RLD_{RAM} contains a TAP controller, instruction register, boundary scan register, bypass register, and ID register.

Disabling The JTAG Feature

It is possible to operate the RLD_{RAM} without using the JTAG feature. To disable the TAP controller, TCK must be tied LOW (V_{SS}) to prevent clocking of the device. TDI and TMS are internally pulled up and may be unconnected. They may alternately be connected to V_{DD} through a pull-up resistor. TDO should be left unconnected. Upon power-up, the device will come up in a reset state which will not interfere with the operation of the device.

Test Access Port (TAP)

Test Clock (TCK)

The test clock is used only with the TAP controller. All inputs are captured on the rising edge of TCK. All outputs are driven from the falling edge of TCK.

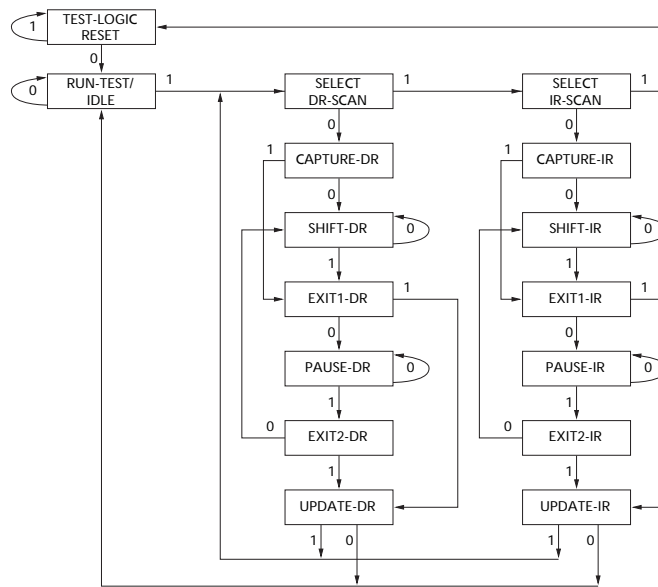
Test Mode Select (TMS)

The TMS input is used to give commands to the TAP controller and is sampled on the rising edge of TCK. It is allowable to leave this ball unconnected if the TAP is not used. The ball is pulled up internally, resulting in a logic HIGH level.

Test Data-in (TDI)

The TDI ball is used to serially input information into the registers and can be connected to the input of any of the registers. The register between TDI and TDO is chosen by the instruction that is loaded into the TAP instruction register. For information on loading the instruction register, see Figure 27 on page 28. TDI is internally pulled up and can be unconnected if the TAP is unused in an application. TDI is connected to the most significant bit (MSB) of any register. (See Figure 28 on page 29.)

Figure 27: TAP Controller State Diagram



Notes: 1. The 0/1 next to each state represents the value of TMS at the rising edge of t_{CK} .

Test Data-out (TDO)

The TDO output ball is used to serially clock data-out from the registers. The output is active depending upon the current state of the TAP state machine. (See Figure 27.) The output changes on the falling edge of TCK. TDO is connected to the least significant bit (LSB) of any register. (See Figure 28 on page 29.)

Performing A Tap RESET

A RESET is performed by forcing TMS HIGH (V_{DD}) for five rising edges of TCK. This RESET does not affect the operation of the RLD_{RAM} and may be performed while the RLD_{RAM} is operating.

At power-up, the TAP is reset internally to ensure that TDO comes up in a High-Z state.

Tap Registers

Registers are connected between the TDI and TDO balls and allow data to be scanned into and out of the RLD_{RAM} test circuitry. Only one register can be selected at a time through the instruction register. Data is serially loaded into the TDI ball on the rising edge of TCK. Data is output on the TDO ball on the falling edge of TCK.

Instruction Register

Three-bit instructions can be serially loaded into the instruction register. This register is loaded when it is placed between the TDI and TDO balls, as shown in Figure 28. Upon power-up, the instruction register is loaded with the IDCODE instruction. It is also loaded with the IDCODE instruction if the controller is placed in a reset state as described in the previous section.

When the TAP controller is in the Capture-IR state, the two least significant bits are loaded with a binary "01" pattern to allow for fault isolation of the board-level serial test data path.

Bypass Register

To save time when serially shifting data through registers, it is sometimes advantageous to skip certain chips. The bypass register is a single-bit register that can be placed between the TDI and TDO balls. This allows data to be shifted through the RLDRAM with minimal delay. The bypass register is set LOW (V_{SS}) when the BYPASS instruction is executed.

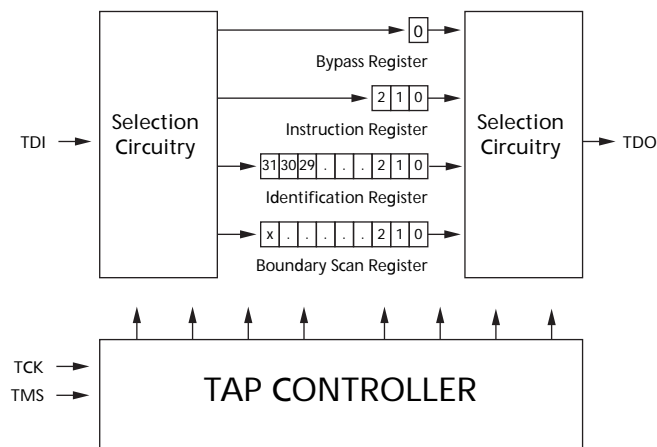
Boundary Scan Register

The boundary scan register is connected to all the input and bidirectional balls on the RLDRAM. Several no connect (NC) balls are also included in the scan register to reserve pins. The RLDRAM has a 104-bit register.

The boundary scan register is loaded with the contents of the RAM I/O ring when the TAP controller is in the Capture-DR state and is then placed between the TDI and TDO balls when the controller is moved to the Shift-DR state. The EXTEST, SAMPLE/PRELOAD, and SAMPLE Z instructions can be used to capture the contents of the I/O ring.

The Boundary Scan Order tables (see page 34) show the order in which the bits are connected. Each bit corresponds to one of the balls on the RLDRAM package. The MSB of the register is connected to TDI, and the LSB is connected to TDO.

Figure 28: TAP Controller Block Diagram



Notes: 1. x = 103 for all configurations

Identification (Id) Register

The ID register is loaded with a vendor-specific, 32-bit code during the Capture-DR state when the IDCODE command is loaded in the instruction register. The IDCODE is hard-wired into the RLDRAM and can be shifted out when the TAP controller is in the Shift-DR state. The ID register has a vendor code and other information described in Table 15 on page 33.

Tap Instruction Set

Overview

Eight different instructions are possible with the three-bit instruction register. All combinations are listed in the Instruction Codes table (see page 33). Three of these instructions are listed as RESERVED and should not be used. The other five instructions are described in detail below.

The TAP controller used in this RLD_{RAM} is not fully compliant to the 1149.1 convention because some of the mandatory 1149.1 instructions are not fully implemented. The TAP controller cannot be used to load address, data or control signals into the RLD_{RAM} and cannot preload the I/O buffers. The RLD_{RAM} does not implement the 1149.1 commands EXTEST or INTEST or the PRELOAD portion of SAMPLE/PRELOAD; rather it performs a capture of the I/O ring when these instructions are executed.

Instructions are loaded into the TAP controller during the Shift-IR state when the instruction register is placed between TDI and TDO. During this state, instructions are shifted through the instruction register through the TDI and TDO balls. To execute the instruction once it is shifted in, the TAP controller needs to be moved into the Update-IR state.

EXTEST

EXTEST is a mandatory 1149.1 instruction which is to be executed whenever the instruction register is loaded with all zeros. EXTEST is not implemented in the TAP controller, hence this device is not IEEE 1149.1 compliant.

The TAP controller does recognize an all-0 instruction. When an EXTEST instruction is loaded into the instruction register, the RLD_{RAM} responds as if a SAMPLE/PRELOAD instruction has been loaded. EXTEST does not place the RLD_{RAM} outputs in a High-Z state.

IDCODE

The IDCODE instruction causes a vendor-specific, 32-bit code to be loaded into the instruction register. It also places the instruction register between the TDI and TDO balls and allows the IDCODE to be shifted out of the device when the TAP controller enters the Shift-DR state.

The IDCODE instruction is loaded into the instruction register upon power-up or whenever the TAP controller is given a test logic reset state.

SAMPLE/PRELOAD

SAMPLE/PRELOAD is a 1149.1 mandatory instruction. The PRELOAD portion of this instruction is not implemented, so the device TAP controller is not fully 1149.1-compliant.

When the SAMPLe/PRELOAD instruction is loaded into the instruction register and the TAP controller is in the Capture-DR state, a snapshot of data on the inputs and bidirectional balls is captured in the boundary scan register.

The user must be aware that the TAP controller clock can only operate at a frequency up to 50 MHz, while the RLD_{RAM} clock operates significantly faster. Because there is a large difference in the clock frequencies, it is possible that during the Capture-DR state, an

input or output will undergo a transition. The TAP may then try to capture a signal while in transition (metastable state). This will not harm the device, but there is no guarantee as to the value that will be captured. Repeatable results may not be possible.

To guarantee that the boundary scan register will capture the correct value of a signal, the RLD_{RAM} signal must be stabilized long enough to meet the TAP controller's capture setup plus hold time (t_{CS} plus t_{CH}). The RLD_{RAM} clock input might not be captured correctly if there is no way in a design to stop (or slow) the clock during a SAMPLE/PRELOAD instruction. If this is an issue, it is still possible to capture all other signals and simply ignore the value of the CK and CK# captured in the boundary scan register.

Once the data is captured, it is possible to shift out the data by putting the TAP into the Shift-DR state. This places the boundary scan register between the TDI and TDO balls.

Note that since the PRELOAD part of the command is not implemented, putting the TAP to the Update-DR state while performing a SAMPLE/PRELOAD instruction will have the same effect as the Pause-DR command.

BYPASS

When the BYPASS instruction is loaded in the instruction register and the TAP is placed in a Shift-DR state, the bypass register is placed between TDI and TDO. The advantage of the BYPASS instruction is that it shortens the boundary scan path when multiple devices are connected together on a board.

Reserved for Future Use

The remaining 22 instructions are not implemented but are reserved for future use. Do not use these instructions.

Figure 29: TAP Timing

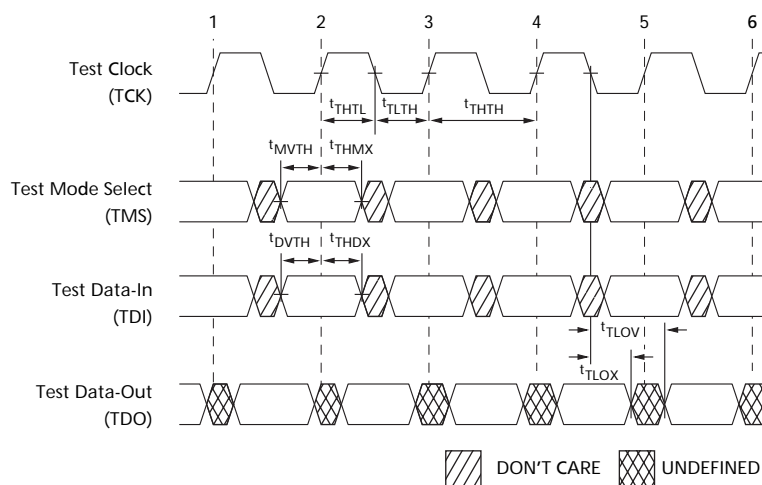


Table 13: TAP AC Electrical Characteristics

Note 1; +0°C ≤ T_C ≤ +95°C; +1.7V ≤ V_{DD} ≤ +1.95V

Description	Symbol	Min	Max	Units
Clock				
Clock cycle time	t _{THTH}	20		ns
Clock frequency	f _{TF}		50	MHz
Clock HIGH time	t _{THTL}	10		ns
Clock LOW time	t _{TLTH}	10		ns
Output Times				
TCK LOW to TDO unknown	t _{TLOX}	0		ns
TCK LOW to TDO valid	t _{TLOV}		10	ns
TDI valid to TCK HIGH	t _{DVTH}	5		ns
TCK HIGH to TDI invalid	t _{THDX}	5		ns
Setup Times				
TMS setup	t _{MVTH}	5		ns
Capture setup	t _{CS}	5		ns
Hold Times				
TMS hold	t _{THMX}	5		ns
Capture hold	t _{CH}	5		ns

Notes: 1. t_{CS} and t_{CH} refer to the setup and hold time requirements of latching data from the boundary scan register

Table 14: TAP DC Electrical Characteristics and Operating Conditions
 $+0^{\circ}\text{C} \leq T_C \leq 95^{\circ}\text{C}; +1.7\text{V} \leq V_{DD} \leq +1.95\text{V}$, unless otherwise noted

Description	Conditions	Symbol	Min	Max	Units	Notes
Input high (Logic 1) voltage		V _{IH}	V _{REF} + 0.15	V _{DD} + 0.3	V	1, 2
Input low (Logic 0) voltage		V _{IL}	V _{SSQ} - 0.3	V _{REF} - 0.15	V	1, 2
Input leakage current	0V ≤ V _{IN} ≤ V _{DD}	I _{LI}	-5.0	5.0	μA	
Output leakage current	Output disabled, 0V ≤ V _{IN} ≤ V _{DD}	I _{LO}	-5.0	5.0	μA	
Output low voltage	I _{OLC} = 100μA	V _{OL1}		0.2	V	1
Output low voltage	I _{OLT} = 2mA	V _{OL2}		0.4	V	1
Output high voltage	I _{OHC} = 100μA	V _{OH1}	V _{DDQ} - 0.2		V	1
Output high voltage	I _{OHT} = 2mA	V _{OH2}	V _{DDQ} - 0.4		V	1

- Notes:
- All voltages referenced to V_{SS} (GND).
 - Overshoot: V_{IH(AC)} ≤ V_{DD} + 0.7V for t ≤ t_{CK/2}.
Undershoot: V_{IL(AC)} ≤ -0.5V for t ≤ t_{CK/2}.
During normal operation, V_{DDQ} must not exceed V_{DD}.

Table 15: Identification Register Definitions

Instruction Field	All Devices	Description
REVISION NUMBER (31:28)	00ab	ab = 10 for x32, 01 for x16
DEVICE ID (27:12)	0000000010100111	This represents the part number
MICRON JEDEC ID CODE (11:1)	00000101100	Allows unique identification of RLD _{RAM} vendor
ID Register Presence Indicator (0)	1	Indicates the presence of an ID register

Table 16: Scan Register Sizes

Register Name	Bit Size
Instruction	8
Bypass	1
ID	32
Boundary Scan	104

Table 17: Instruction Codes

Instruction	Code	Description
EXTEST	0000 0000	Captures I/O ring contents. Places the boundary scan register between TDI and TDO. This instruction is not 1149.1-compliant. This operation does not affect RLD _{RAM} operations.
SAMPLE/PRELOAD	0000 0101	Captures I/O ring contents. Places the boundary scan register between TDI and TDO. This instruction does not implement 1149.1 preload function and is therefore not 1149.1-compliant.
IDCODE	0010 0001	Loads the ID register with the vendor ID code and places the register between TDI and TDO. This operation does not affect RLD _{RAM} operations.
BYPASS	1111 1111	Places the bypass register between TDI and TDO. This operation does not affect RLD _{RAM} operations.



Table 18: Boundary Scan (Exit) Order
Note 1

Bit#	FBGA Ball	Bit#	FBGA Ball	Bit#	FBGA Ball
1	K1	36	R11	71	C11
2	K2	37	P11	72	C11
3	L2	38	P11	73	C10
4	L1	39	P10	74	C10
5	M1	40	P10	75	B11
6	M3	41	N11	76	B11
7	M2	42	N11	77	B10
8	N1	43	N10	78	B10
9	N3	44	N10	79	B3
10	N3	45	N12	80	B3
11	N2	46	M11	81	B2
12	N2	47	M10	82	B2
13	P3	48	M12	83	C3
14	P3	49	L12	84	C3
15	P2	50	L11	85	C2
16	P2	51	K11	86	C2
17	R2	52	K12	87	D3
18	R3	53	J12	88	D2
19	T2	54	J11	89	E2
20	T2	55	H11	90	E2
21	T3	56	H12	91	E3
22	T3	57	G12	92	E3
23	U2	58	G10	93	F2
24	U2	59	G11	94	F2
25	U3	60	F12	95	F3
26	U3	61	F10	96	F3
27	U10	62	F10	97	F1
28	U10	63	F11	98	G2
29	U11	64	F11	99	G3
30	U11	65	E10	100	G1
31	T10	66	E10	101	H1
32	T10	67	E11	102	H2
33	T11	68	E11	103	J2
34	T11	69	D11	104	J1
35	R10	70	D10		

Notes: 1. Any unused pins that are in the order will read as a logic "0."

Electrical Characteristics

Stresses greater than those listed in Table 19 may cause permanent damage to the device. This is a stress rating only, and functional operation of the device at these or any other conditions above those indicated in the operational sections of this specification is not implied. Exposure to absolute maximum rating conditions for extended periods may affect reliability.

Table 19: Absolute Maximum Ratings

Parameter	Min	Max	Units	Notes
Storage temperature	-55	+150	°C	
I/O voltage	-0.3V	V _{DDQ} + 0.3	V	
Voltage on V _{EXT}	-0.3	+2.8	V	1
Voltage on V _{DD}	-0.3	+2.1	V	1
Voltage on V _{DDQ}	-0.3	+2.1	V	1
Junction temperature	110		°C	2

- Notes:
1. Supply relative to V_{SS}
 2. Junction temperature depends upon package type, cycle time, loading, ambient temperature, and airflow.

Recommended DC Operation Ranges

All values are recommended operating conditions unless otherwise noted. External on board (PCB) capacitance values are required as follows:

- V_{DDQ}: 2 × 0.1μF/device
- V_{DD}: 2 × 0.1μF/device
- V_{REF}: 0.1μF/device
- V_{EXT}: 0.1μF/device

Table 20: DC Electrical Characteristics and Operating Conditions

0°C ≤ T_C ≤ +95°C; +1.7V ≤ V_{DD} ≤ +1.95V unless otherwise noted

Descriptions	Symbol	Min	Max	Units	Notes
Supply voltage	V _{EXT}	2.38	2.63	V	1
Supply voltage	V _{DD}	1.7	1.95	V	1
Isolated output buffer supply	V _{DDQ}	1.7	V _{DD}	V	1, 2
Reference voltage	V _{REF}	0.49 × V _{DDQ}	0.51 × V _{DDQ}	V	1, 3, 4

- Notes:
1. All voltages referenced to V_{SS} (GND).
 2. During normal operation, V_{DDQ} must not exceed V_{DD}.
 3. Typically the value of V_{REF} is expected to be 0.5x V_{DDQ} of the transmitting device. V_{REF} is expected to track variations in V_{DDQ}.
 4. Peak-to-peak AC noise on V_{REF} must not exceed 2% V_{REF}(DC).

Table 21: DC Electrical Characteristics and Operating Conditions

0°C ≤ T_C ≤ +95°C; +1.7V ≤ V_{DD} ≤ +1.95V unless otherwise noted

Description	Conditions	Symbol	Min	Max	Units	Notes
Input high (Logic 1) voltage	Matched impedance mode	V _{IH}	V _{REF} + 0.15	V _{DDQ} + 0.3	V	1, 2
Input low (Logic 0) voltage	Matched impedance mode	V _{IL}	V _{SSQ} - 0.3	V _{REF} - 0.15	V	1, 2
Output high voltage	Matched impedance mode	V _{OH}	V _{DDQ}		V	1, 3, 4
Output low voltage	Matched impedance mode	V _{OL}		0	V	1, 3, 4
Input high (Logic 1) voltage	HSTL strong	V _{IH}	V _{REF} + 0.1	V _{DDQ} + 0.3	V	1, 2
Input low (Logic 0) voltage	HSTL strong	V _{IL}	V _{SSQ} - 0.3	V _{REF} - 0.1	V	1, 2
Output high voltage	HSTL strong	V _{OH}	V _{DDQ} - 0.4		V	1, 3, 4
Output low voltage	HSTL strong	V _{OL}		0.4	V	1, 3, 4
Clock input leakage current		I _{LC}	-5	5	μA	
Input Leakage current	0V ≤ V _{IN} ≤ V _{DDQ}	I _{LI}	-5	5	μA	
Output leakage current		I _{LO}	-5	5	μA	
Reference voltage current		I _{REF}	-5	5	μA	

- Notes:
- All voltages referenced to V_{SS} (GND).
 - Overshoot: V_{IH(AC)} ≤ V_{DD} + 0.7V for t ≤ t_{CK/2}
 Undershoot: V_{IL(AC)} ≥ -0.5V for t ≤ t_{CK/2}
 During normal operation, V_{DDQ} must not exceed V_{DD}. Control input signals may not have pulse widths less than t_{CK/2} or operate at frequencies exceeding t_{CK} (MAX).
 - AC load current is higher than the shown DC values. AC I/O curves are available upon request.
 - HSTL outputs meet JEDEC HSTL Class I and Class II standards.

Table 22: Capacitance

Description	Conditions	Symbol	Min	Max	Units
Address/Control input capacitance	T _A = 25°C; f = 1 MHz	C _I	2.0	4.0	pF
Input/Output capacitance (DQ)		C _O	2.0	4.0	pF
Clock capacitance		C _{CK}	2.0	4.0	pF

Table 23: AC Electrical Characteristics and Operating Conditions

0°C ≤ T_C ≤ +95°C; +1.7V ≤ V_{DD} ≤ +1.95V unless otherwise noted

Description	Conditions	Symbol	Min	Max	Units
Input high (Logic 1) voltage	Matched impedance mode	V _{IH}	V _{REF} + 0.3	V _{DDQ} + 0.3	V
Input low (Logic 0) voltage	Matched impedance mode	V _{IL}	V _{SSQ} - 0.3	V _{REF} - 0.3	V
Input high (Logic 1) voltage	HSTL strong	V _{IH}	V _{REF} + 0.2	V _{DDQ} + 0.3	V
Input low (Logic 0) voltage	HSTL strong	V _{IL}	V _{SSQ} - 0.3	V _{REF} - 0.2	V

Figure 30: Output Test Conditions

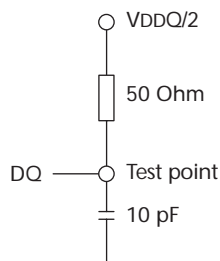


Table 24: IDD Operating Conditions and Maximum Limits

 Notes 1–6 on page 48, $+0^{\circ}\text{C} \leq T_c \leq +95^{\circ}\text{C}$; VDD = MAX unless otherwise noted

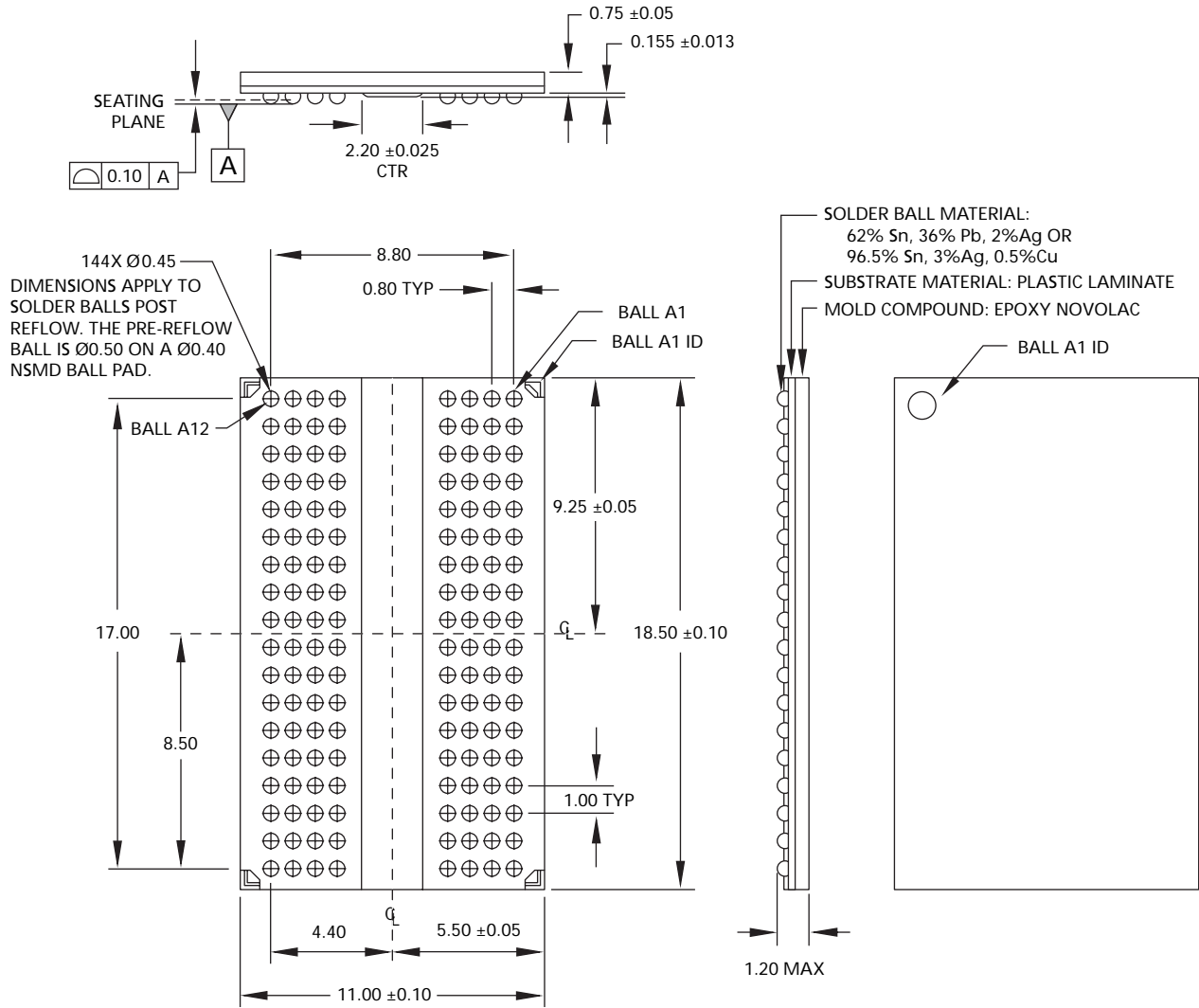
Description	Conditions	Symbol	Max			Units
			-33	-4	-5	
Standby current	$t^{\text{CK}} = \text{Idle}$ All banks idle, no inputs toggling	ISB1 (VDD) x32	59	59	59	mA
		ISB1 (VDD) x16	55	55	55	
		ISB1 (VEXT)	12	12	12	
Active standby current	$t^{\text{CK}} = \text{MIN}$, CS# = 1 No commands, half address/data toggle up to once every 4 clock cycles	ISB2 (VDD) x32	280	271	228	mA
		ISB2 (VDD) x16	255	244	205	
		ISB2 (VEXT)	12	12	12	
Incremental current	BL = 2, $t^{\text{CK}} = \text{MIN}$, $t^{\text{RC}} = \text{MIN}$, 1 bank active, half address data toggles once per t^{RC} , read followed by write sequence	IDD1 (VDD) x32	287	266	240	mA
		IDD1 (VDD) x16	263	243	221	
		IDD1 (VEXT)	16	16	16	
Incremental current	BL = 4, $t^{\text{CK}} = \text{MIN}$, $t^{\text{RC}} = \text{MIN}$, 1 bank active, half address/data toggle once per t^{RC} , read followed by write sequence	IDD2 (VDD) x32	341	326	300	mA
		IDD2 (VDD) x16	285	273	250	
		IDD2 (VEXT)	20	20	20	
Burst refresh current	$t^{\text{CK}} = \text{MIN}$, $t^{\text{RC}} = \text{MIN}$ Cyclic bank refresh, data inputs are switching	IREF1 (VDD) x32	535	495	405	mA
		IREF1 (VDD) x16	525	480	402	
		IREF1 (VEXT)	79	68	57	
Distributed refresh current	$t^{\text{CK}} = \text{MIN}$, $t^{\text{RC}} = \text{MIN}$ Single bank refresh, half address/data toggle	IREF2 (VDD) x32	282	268	249	mA
		IREF2 (VDD) x16	265	254	231	
		IREF2 (VEXT)	20	20	20	
Operating supply current example	BL = 2, $t^{\text{CK}} = \text{MIN}$, 8 bank cyclic access, half of address bits change every 4 clock cycles, continuous data	IDD2W(VDD) x32	807	706	598	mA
		IDD2W (VDD) x16	713	616	519	
		IDD2W(VEXT)	46	40	34	
Operating supply current example	BL = 4, $t^{\text{CK}} = \text{MIN}$, 8 bank cyclic access, half of address bits change every 2 clocks, continuous data	IDD4W (VDD) x32	723	634	521	mA
		IDD4W (VDD) x16	549	476	392	
		IDD4W (VEXT)	46	40	34	
Operating burst read current example	BL = 2, cyclic bank access, half of address bits change every clock cycle, measurement is taken during continuous READ	IDD2R (VDD) x32	685	585	490	mA
		IDD2R (VDD) x16	620	525	440	
		IDD2R (VEXT)	46	40	34	
Operating burst read current example	BL = 4, cyclic bank access, half of address bits change every two clocks, measurement is taken during continuous READ	IDD4R (VDD) x32	585	530	435	mA
		IDD4R (VDD) x16	550	475	390	
		IDD4R (VEXT)	46	40	34	

- Notes:
1. IDD specifications are tested after the device is properly initialized. $+0^{\circ}\text{C} \leq T_c \leq +95^{\circ}\text{C}$; $+1.7\text{V} \leq V_{\text{DD}} \leq +1.95\text{V} + 1.4\text{V} \leq V_{\text{DDQ}} \leq V_{\text{DD}}$.
 2. $t^{\text{CK}} = t^{\text{DK}} = \text{MIN}$, $t^{\text{RC}} = \text{MIN}$.
 3. Input slew rate is specified in Table 21, "DC Electrical Characteristics and Operating Conditions," on page 36.
 4. Definitions for IDD conditions:
 - 4a. LOW is defined as $V_{\text{IN}} \leq V_{\text{IL}}(\text{AC}) \text{ MAX}$.
 - 4b. HIGH is defined as $V_{\text{IN}} \leq V_{\text{IH}}(\text{AC}) \text{ MAX}$.
 - 4c. Stable is defined as inputs remaining at a HIGH or LOW level.
 - 4d. Floating is defined as inputs at $V_{\text{REF}} = V_{\text{DDQ}}/2$.
 - 4e. Continuous data is defined as half the DQ signals changing between HIGH and LOW every half clock cycle (twice per clock).

- 4f. Continuous address is defined as half the address signals changing between HIGH and LOW every clock cycle (once per clock).
- 4g. Sequential bank access is defined as the bank address incrementing by one every t_{RC} .
- 4h. Cyclic bank access is defined as the bank address incrementing by one for each command access. For BL = 2 this is every clock, and for BL = 4 this is every other clock.
5. CS# is HIGH unless a READ, WRITE, AREF, or MRS command is registered. CS# never transitions more than once per clock cycle.
6. IDD parameters are specified with ODT disabled.

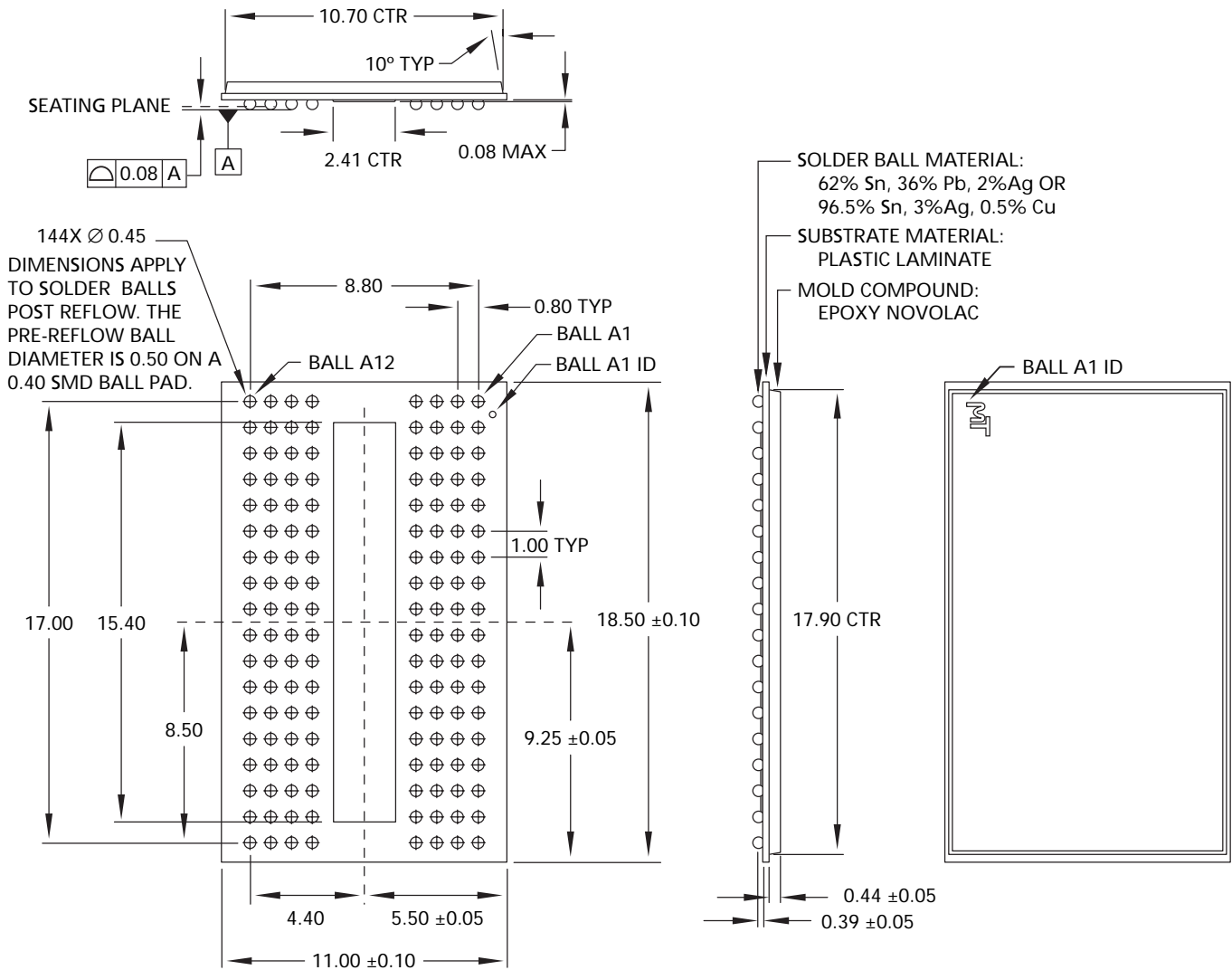
Package Dimensions

Figure 31: 144-Ball FBGA



Notes: 1. Dimensions are in millimeters.

Figure 32: 144-Ball μ BGA



Notes: 1. All dimensions are in millimeters.



8000 S. Federal Way, P.O. Box 6, Boise, ID 83707-0006, Tel: 208-368-3900

prodmktg@micron.com www.micron.com Customer Comment Line: 800-932-4992

Micron, the M logo, and the Micron logo are trademarks of Micron Technology, Inc. All other trademarks are the property of their respective owners.

This data sheet contains minimum and maximum limits specified over the complete power supply and temperature range for production devices. Although considered final, these specifications are subject to change, as further product development and data characterization sometimes occur.