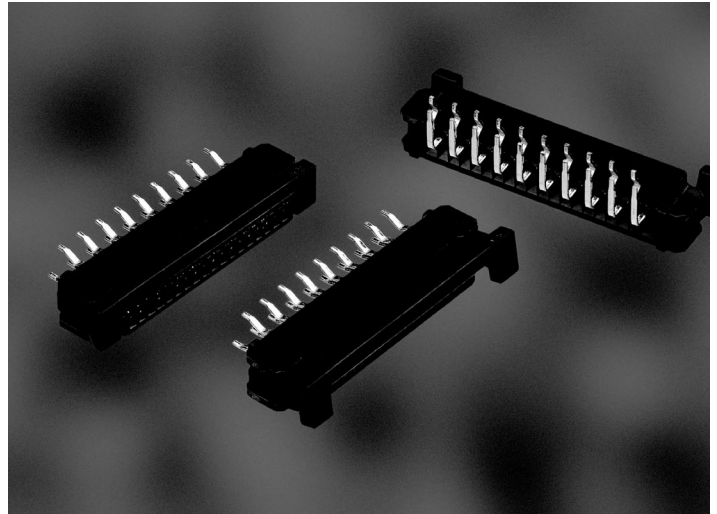


1.00 mm Spacing for FFC / FPC / CIC

Features

- Available in 4 to 30 positions
- Right angle or vertical type
- Excellent cable retention with small size slider
- Kinked solder tails available



Benefits

- The Gas-Tight, High pressure (GTH) contact system ensures a low cost connection with reliability equal to gold plating.
- The Zero Insertion Force connection allows an increased number of mating cycles with minimal wear.
- The ZIF pre-holding process provides a stable and reliable mating operation.
- The slider ensures maximum cable retention with a minimum size.
- Fork shaped contacts mean stable and low contact resistance.
- Kinked solder tails provide added PCB retention.
- Product variations cover a broad range of applications.

Technical Data

PC Board pattern (component side)

Material

Housing :

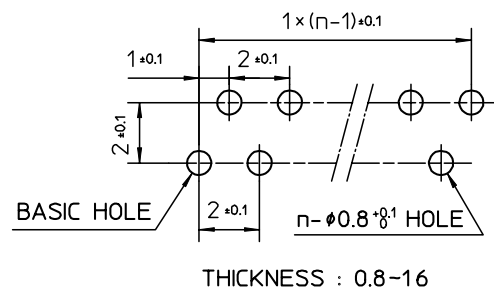
Nylon, glass reinforced, UL94V-0, Black

Slider :

Nylon, glass reinforced, UL94V-0, Black
(For CIC : Milky-White)

Contact :

Phosphor Bronze, Tin alloy plated



1.00 mm Spacing for FFC / FPC / CIC

Ordering Data

Series **SLW 25 S - 1 C7**

No of contacts 4 to 30

Terminal type R = Right angle
S = Straight

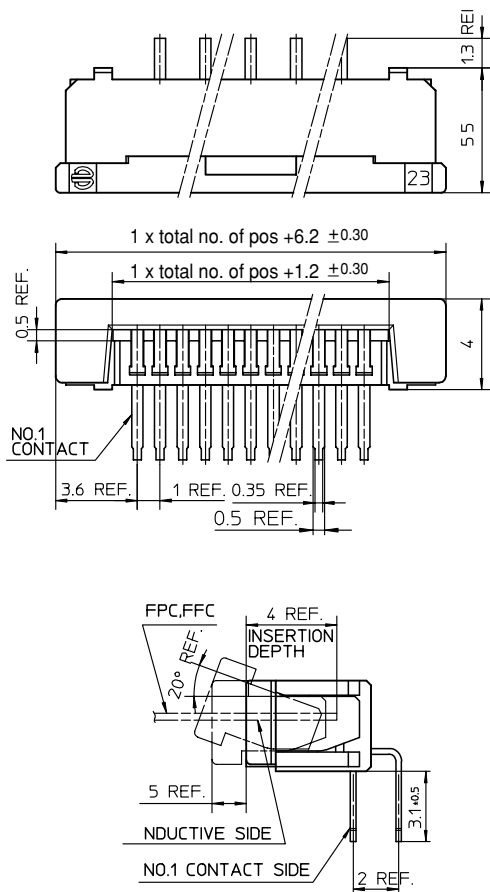
Cable type 1 = FPC/FFC
5 = CIC

Variation A7 = non-kinked terminal
C7 = kinked terminal

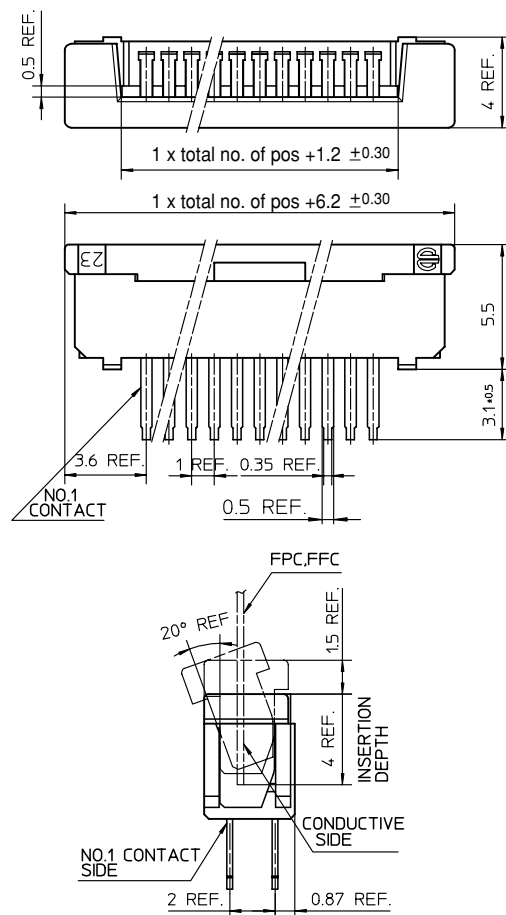
Tray packaging

Dimensions

Right angle



Straight



Circuitry Type For Recommended Circuitry type see page 31