

Features

- Shielded construction
- Unit height of 4 mm
- Inductance range: 0.5 μ H to 1.8 μ H
- Current up to 13 A
- Lead free
- RoHS compliant*

Applications

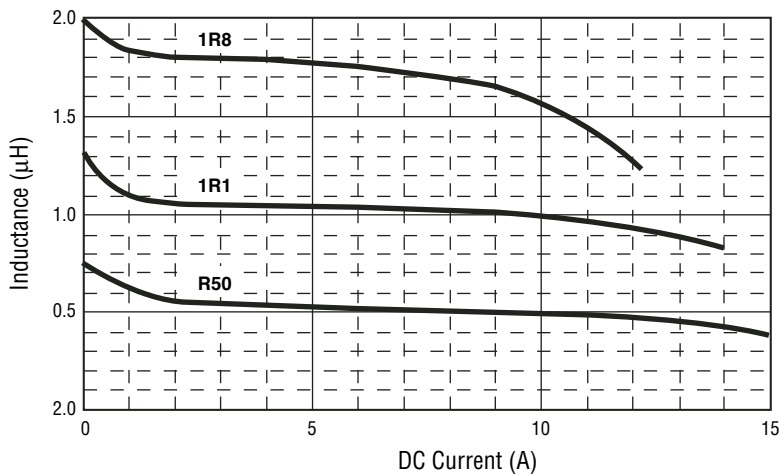
- Input/output of DC/DC converters
- Power supplies for:
 - Portable communications equipment
 - Camcorders
 - LCD TVs
 - Car audio systems

SRP1204 Series - Shielded Power Inductors

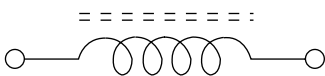
Electrical Specifications

Bourns Part No.	Initial Inductance L0 (μ H)	Inductance at Flat Point L1 (μ H)	Flat Point ref. (A)	I rms (A)	I sat (A)	DCR (m Ω) max.
SRP1204-R50M	0.75 \pm 20 %	0.55 \pm 20 %	2.0	13.0	14.0	3.0
SRP1204-1R1M	1.30 \pm 20 %	1.10 \pm 20 %	2.0	12.0	13.0	4.5
SRP1204-1R8M	2.00 \pm 20 %	1.80 \pm 20 %	2.0	10.0	11.0	6.0

L vs I Charts



Electrical Schematic



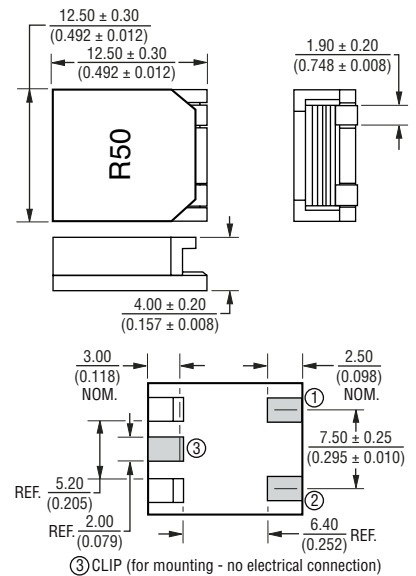
General Specifications

Test Voltage 1 V
 Test Frequency 100 KHz
 Reflow Soldering 230 °C; 50 sec max.
 Operating Temperature .. -55 °C to +150 °C
 (Temperature rise included)
 Storage Temperature .. -55 °C to +150 °C
 Resistance to Soldering Heat
 +260 °C for 10 sec.

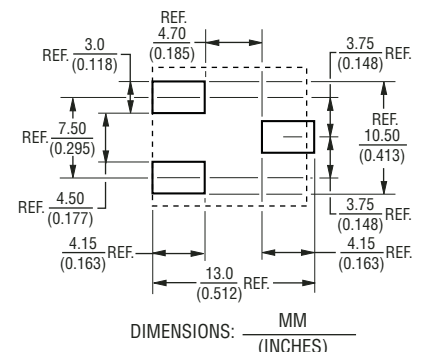
Materials

Core Ferrite ER
 Wire Enameled copper
 Terminal Cu/Ni/Sn
 Rated Current Ind. drops 20 % at I sat
 Temperature Rise 40 °C at rated I rms
 Packaging 800 pcs. per 13-inch reel

Product Dimensions



Recommended Layout

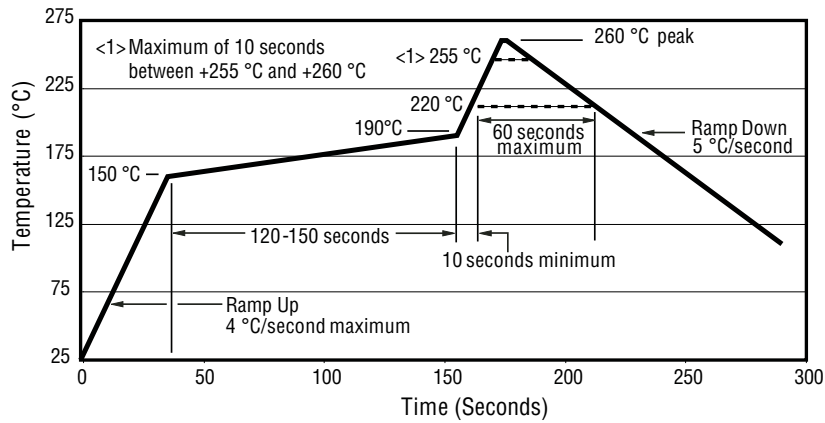


*RoHS Directive 2002/95/EC Jan 27 2003 including Annex
 Specifications are subject to change without notice.
 Customers should verify actual device performance in their specific applications.

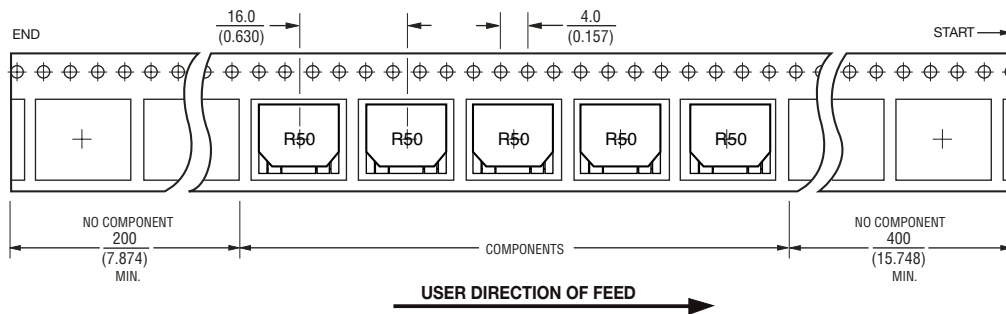
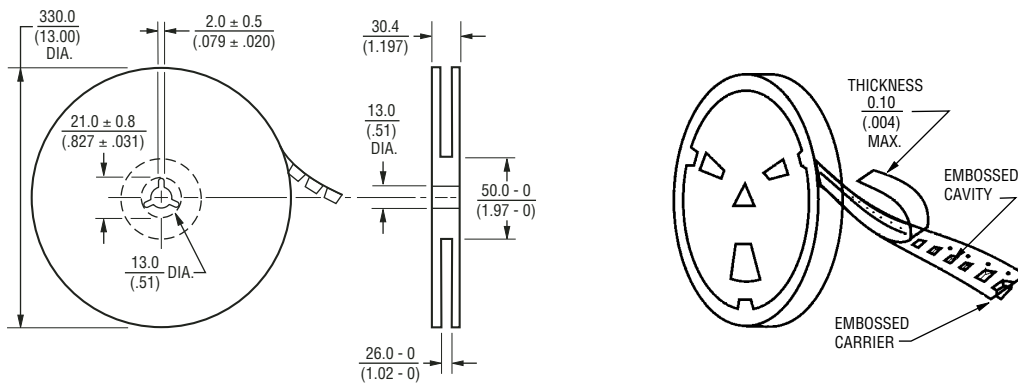
SRP1204 Series - Shielded Power Inductors

BOURNS®

Soldering Profile



Packaging Specifications



DIMENSIONS: $\frac{\text{MM}}{\text{(INCHES)}}$

REV. 10/06

Specifications are subject to change without notice.
Customers should verify actual device performance in their specific applications.