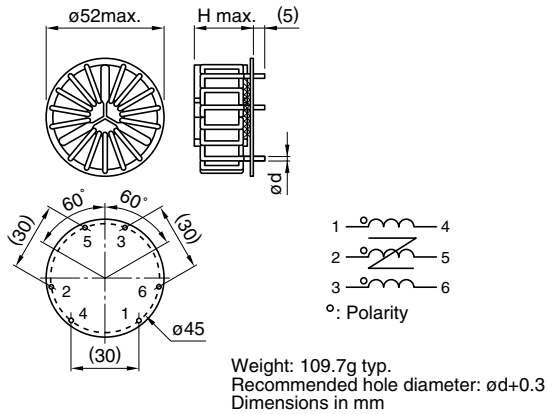


# EMC Components

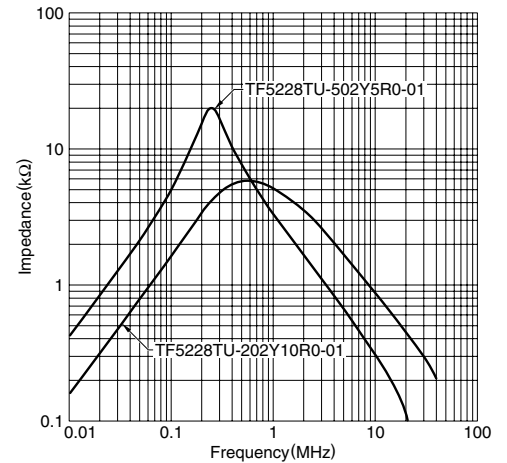
## TF Series

Common Mode Choke Coils(Line Filters) for AC Power Supply  
Toroidal Core Type for 3-Phase

### TF5228TU(HORIZONTAL TYPE WITH TERMINAL BASE) TYPE SHAPES AND DIMENSIONS/CIRCUIT DIAGRAM



### TYPICAL ELECTRICAL CHARACTERISTICS IMPEDANCE vs. FREQUENCY CHARACTERISTICS



### ELECTRICAL CHARACTERISTICS

Part No.	Inductance (mH)min.	L1-L2 inductance difference ( $\mu$ H)max.	DC resistance (m $\Omega$ )max.	Rated current I <sub>ac</sub> (A)max.	Dimensions(mm)	
					$\phi d$	H max.
TF5228TU-102Y5R0-01	1	50	45	5	1	26
TF5228TU-502Y5R0-01	5	200	95	5	1	26
TF5228TU-302Y8R0-01	3	150	40	8	1.2	26
TF5228TU-102Y10R0-01	1	50	20	10	1.3	26
TF5228TU-202Y10R0-01	2	80	25	10	1.5	28