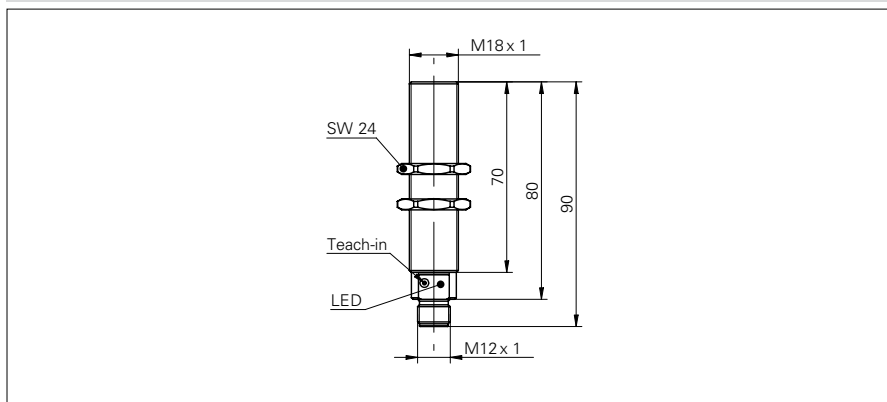


Ultrasonic distance measuring sensors

UNAM 18

sample drawing



general data

scanning range sd	100 ... 1000 mm
scanning range close limit Sdc	100 ... 1000 mm
scanning range far limit Sde	100 ... 1000 mm
repeat accuracy	< 0,5 mm
resolution	< 0,3 mm
adjustment	Teach-in
sonic frequency	240 kHz
response time ton	< 80 ms
release time toff	< 80 ms
alignment aid	target indication flashing
light indicator	yellow LED / red LED
temperature drift	< 2 % of distance to target So

electrical data

voltage supply range +Vs	15 ... 30 VDC
output current	< 20 mA
residual ripple	< 10 % Vs
short circuit protection	yes
reverse polarity protection	yes

voltage output

current consumption max.	35 mA
output signal	0 ... 10 V / 10 ... 0 V

current output

current consumption max.	55 mA
output signal	4 ... 20 mA / 20 ... 4 mA
load resistance +Vs max.	< 1100 Ohm
load resistance +Vs min.	< 400 Ohm

mechanical data

type	cylindrical
housing material	brass nickel plated
width / diameter	18 mm
height / length	90 mm
connection types	connector M12

sample picture



Ultrasonic distance measuring sensors

UNAM 18

ambient conditions

operating temperature	-10 ... +60 °C
protection class	IP 67

order reference**output circuit**

UNAM 18I6903/S14	current output
UNAM 18U6903/S14	voltage output