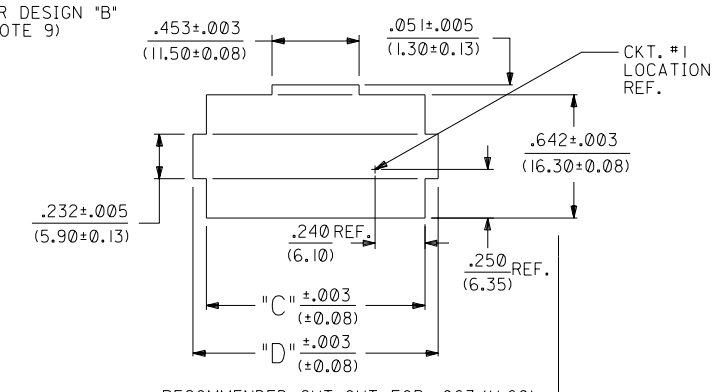
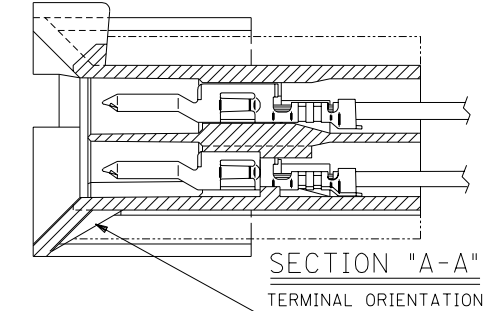
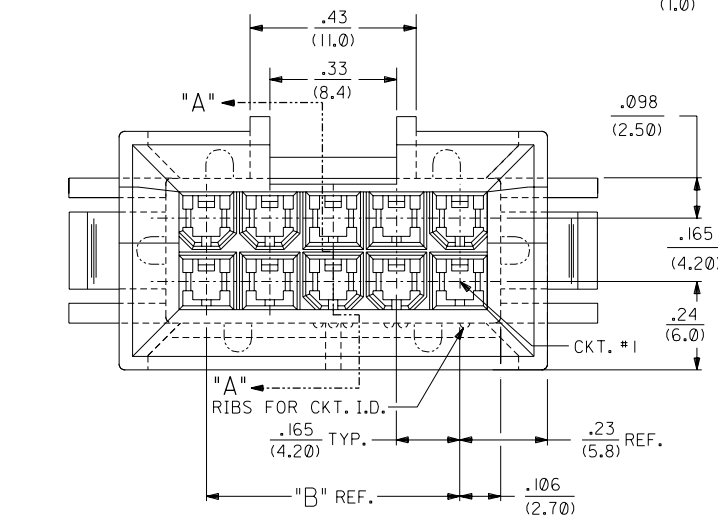


42475-***1
MOUNTING EAR DESIGN "A"
(SEE NOTE 9)

42475-***1
MOUNTING EAR DESIGN "B"
(SEE NOTE 9)

CIRCUIT SIZE	DIM. "A"	DIM. "B"	DIM. "C"	DIM. "D"
6	.54 (13.8)	.33 (8.4)	.807 (20.50)	.945 (24.00)
8	.71 (18.0)	.50 (12.6)	.972 (24.70)	1.110 (28.20)
10	.87 (22.2)	.66 (16.8)	1.138 (28.90)	1.276 (32.40)
12	1.04 (26.4)	.83 (21.0)	1.303 (33.10)	1.441 (36.60)
14	1.20 (30.6)	.99 (25.2)	1.469 (37.30)	1.606 (40.80)
16	1.37 (34.8)	1.16 (29.4)	1.643 (41.50)	1.772 (45.00)
18	1.54 (39.0)	1.32 (33.6)	1.799 (45.70)	1.937 (49.20)
20	1.70 (43.2)	1.49 (37.8)	1.965 (49.90)	2.102 (53.40)
22	1.87 (47.4)	1.65 (42.0)	2.130 (54.10)	2.268 (57.60)
24	2.03 (51.6)	1.82 (46.2)	2.295 (58.30)	2.433 (61.80)



RECOMMENDED CUT-OUT FOR .063/(1.60)
MAX. THICK P.C. BOARD. (6-24 CKT.'S.)
SCALE: 2X

SEE SHEET 2 FOR 2 & 4 CKT. PARTS

NOTES:

- MATERIAL:
 - 1 = NYLON (PA6/6), UNFILLED, UL94 V-2, COLOR: NATURAL
 - 2 = NYLON (PA6/6), UNFILLED, UL94 V-0, COLOR: NATURAL
 - 3 = NYLON (PA6/6), UNFILLED, UL94 V-2, COLOR: BLACK
 - 4 = NYLON (PA6/6), UNFILLED, UL94 V-0, COLOR: BLACK
- 6-24 CKT. PARTS MATE WITH MOLEX RECEPTACLES 5557, 42385 AND 42474. 2 AND 4 CKT. PARTS MATE WITH 42385 AND 42474 ONLY.
- PART IS DESIGNED IN METRIC.
- PART ALLOWS FOR UP TO .100/(2.54) MISALIGNMENT WITH MATING RECEPTACLE IN ANY DIRECTION. SEE MATING CONNECTOR DRAWINGS FOR SPECIFIC ALLOWANCES.

- PART IS FOR USE WITH MALE TERMINAL #5558.
- THIS PART CONFORMS TO MOLEX PRODUCT SPEC. NO. PS-5556-002.
- CONNECTOR ASSEMBLIES ARE NOT TO BE MATED OR UNMATED WHILE CIRCUITS ARE LIVE.
- PANEL CUT-OUT TO BE PUNCHED IN THE SAME DIRECTION AS CONNECTOR INSERTION.
- PARTS MANUFACTURED AFTER 95/12/31 MAY HAVE MOUNTING EAR DESIGN "B". PARTS WITH MOUNTING EAR DESIGN "A" WILL BE OBSOLETE AS TOOL LIFE DICTATES. IN SOME CASES, PARTS MAY BE AVAILABLE WITH BOTH MOUNTING EAR DESIGNS.
- FOR MANUFACTURING EASE PARTS MAY HAVE OPTIONAL EJECTOR RIBS. SEE SHT. 3 FOR LOCATION.
- DIMENSION DOES NOT INCLUDE EJECTOR RIBS (SEE PAGE #3 FOR PARTS WITH RIBS, RIB DIMENSIONS AND LOCATION).

- IF THIS PRODUCT IS STORED IN AN ENVIRONMENT WITH A RELATIVE HUMIDITY OF LESS THAN 50%, MOISTURE MUST BE ADDED AS PER THE FOLLOWING:
 - ADD 0.4 oz. OF DEIONIZED WATER PER 1.0 lb. OF PRODUCT
 - RESEAL PLASTIC BAG AFTER MOISTURATION
- INTERIOR RIB LOCATION MAY VARY.

REV.	DATE	BY	CHK'D.
4	010	R	
3	R		
2	R		
1	R		

DIMENSIONS SHOWN (METRIC) INCH UNLESS OTHERWISE SPECIFIED TOLERANCES: ANGULAR ± 0.50

PLACES	INCH	METRIC
3 PLACES	± .010	---
2 PLACES	± .015	± 0.25
1 PLACE	---	± 0.38

DRAFT WHERE APPLICABLE MUST REMAIN WITHIN DIMENSIONS

DRW. BY: GEP
CHK'D. BY: RJF
APP'D. BY: RAS
SCALE: 4:1

FILE NAME: S42475MX1.DGN

TITLE: PLUG HOUSING, B.M.I., 2 THRU 24 CIRCUITS, MINI-FIT SERIES

PART NO.: SD-42475-***1
DRWG. NO.: SEE SHT. 2

REV. PICTORIALY UCP2004-0571 SCHAFER 03-10-07
ADD 06/11/08, SHT 3 UCP2003-1243 POLGAR 02-11-20

MFG., SH., REV., LTR., REVISIONS

REVISE ONLY ON CAD SYSTEM

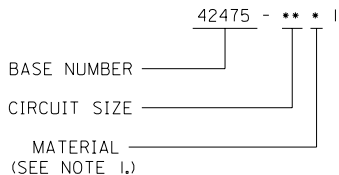
DATE: 7/18/89
SHEET NO.: 1 OF 4

MOLEX INCORPORATED
60532 U.S.A.

THIS DRAWING CONTAINS INFORMATION THAT IS PROPRIETARY TO MOLEX INC. AND SHOULD NOT BE USED WITHOUT WRITTEN PERMISSION.

13		12		11		10		9		8		7		6		42475		4		3		2		1	
J	PART NUMBER	ENG. NUMBER	CKT. SIZE	MATERIAL (SEE NOTE 1.)		PART NUMBER	CKT. SIZE	MATERIAL (SEE NOTE 1.)		MOUNTING EAR TYPE		42475		4		3		2		1					
	NOT TOOLED	42475-0211	2	1				42475-0431	4	3		CKT. SIZE	DESIGN A, DESIGN B (SEE SHEET 1)	42475-***21, 5558-GS*	42474-***21, 5556-PBGS*P	94V-0	PHOS. BRZ.	GOLD							
	15-06-0045	42475-0411	4	↑						2	N/A	42475-***11, 5558-GS*	42474-***11, 5556-PBGS*P	94V-2											
	15-06-0065	42475-0611	6	↑		42475-0631	6	↑		4	B	42475-***21, 5558-GS*	42474-***21, 5556-GS*P	94V-0											
	15-06-0085	42475-0811	8	↑		42475-0831	8	↑		6	B	42475-***11, 5558-PBS*	42474-***11, 5556-GS*P	94V-2											
I	15-06-0105	42475-1011	10	↑		42475-1031	10	↑		8	A	42475-***21, 5558-PBS*	42474-***21, 5556-PBS*P	94V-0											
	NOT TOOLED	42475-1211	12	↑						10	B	42475-***11, 5558-S*	42474-***11, 5556-PBS*P	94V-2											
	15-06-0145	42475-1411	14	↑		42475-1431	14	↑		12	N/A	42475-***21, 5558-S*	42474-***21, 5556-S*P	94V-0											
	NOT TOOLED	42475-1611	16	↑						14	B	42475-***11, 5558-GS*	42474-***11, 5556-S*P	94V-2											
H	15-06-0185	42475-1811	18	↑		42475-1831	18	↑		16	N/A	42475-***21, 5558-GS*	A-42385-***D2	94V-0											
	15-06-0205	42475-2011	20	↑		42475-2031	20	↑		18	A & B	42475-***11, 5558-GS*	A-42385-***C2	94V-2											
	NOT TOOLED	42475-2211	22	↑						20	B	42475-***21, 5558-GS*	A-42385-***B2	94V-0											
	15-06-0245	42475-2411	24	↑		42475-2431	24	↑		22	N/A	42475-***11, 5558-GS*	A-42385-***A2	94V-2											
G	NOT TOOLED	42475-0221	2	2						24	B	42475-***21, 5558-GS*	A-42385-***D1	94V-0											
	15-06-0046	42475-0421	4	↑		42475-0441	4	↑				42475-***11, 5558-PBS*	A-42385-***C1	94V-2											
	15-06-0066	42475-0621	6	↑								42475-***21, 5558-S*	A-42385-***B1	94V-0											
F	NOT TOOLED	42475-0821	8	↑						20	A	42475-***11, 5558-GS*	A-42385-***A1	94V-2											
	15-06-0106	42475-1021	10	↑		42475-1041	10	↑				PLUG HOUSING/ MALE TERMINAL	MATING CONNECTOR	HSG. MAT'L.	TERM. MAT'L.	PLATING	MATING CONNECTOR FEATURES								
	NOT TOOLED	42475-1221	12	↑																					
	15-06-0146	42475-1421	14	↑		42475-1441	14	↑																	
E	NOT TOOLED	42475-1621	16	↑																					
	15-06-0186	42475-1821	18	↑		42475-1841	18	↑																	
	15-06-0206	42475-2021	20	↑		42475-2041	20	↑																	
	NOT TOOLED	42475-2221	22	↑																					
D	15-06-0246	42475-2421	24	2		42475-2441	24	4																	

LEGEND:



	Q1	SEE SHEET #1
	Q	SEE SHT 1
Q10	SEE SHEET #1	P1 SEE SHT. 1
Q9	SEE SHEET #1	P SEE SHT. 1
Q7	SEE SHEET #1	O1 SEE SHT. 1
Q3	SEE SHEET #1	N1 SEE SHT. 1
Q2	SEE SHEET #1	N SEE SHT. 1
LTR.	REVISIONS	LTR. REVISIONS

DIMENSIONS SHOWN (METRIC) INCH	
UNLESS OTHERWISE SPECIFIED TOLERANCES: ANGULAR ± 0.5°	
5 PLACE	± .010
2 PLACE	± .015 ± 0.25
1 PLACE	--- ± 0.38
DRAFT WHERE APPLICABLE MUST REMAIN WITHIN DIMENSIONS	
DRWG. BY	GEP
CHK'D. BY	RJF
APP'D. BY	RAS
SCALE	4: 1

□ = 0 ▼ = 0 REVISE ONLY ON CAD SYSTEM	
TITLE: PLUG HOUSING, B.M.I., 2 THRU 24 CIRCUITS, MINI-FIT SERIES	
MOLEX INCORPORATED U.S.A.	SHEET NO. 4 DATE 7/18/89
PART NO. SEE CHART	DRWG. NO. SD-42475-***1
FILE NAME 542475VX2.DGN	DIV. CP
THIS DRAWING CONTAINS INFORMATION THAT IS PROPRIETARY TO MOLEX INC. AND SHOULD NOT BE USED WITHOUT WRITTEN PERMISSION.	