

LEAD FREE

DWG. NO. SD-35363-002

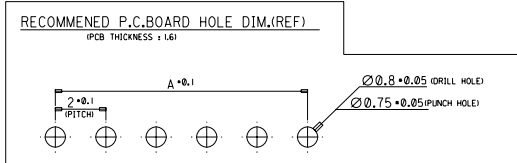
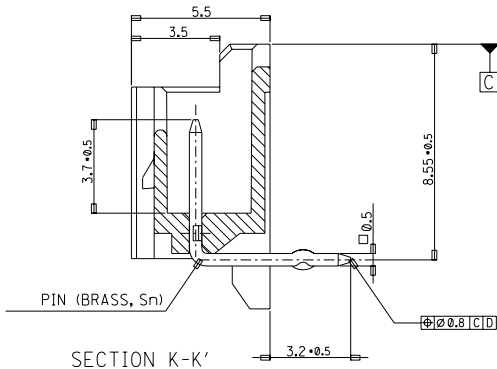
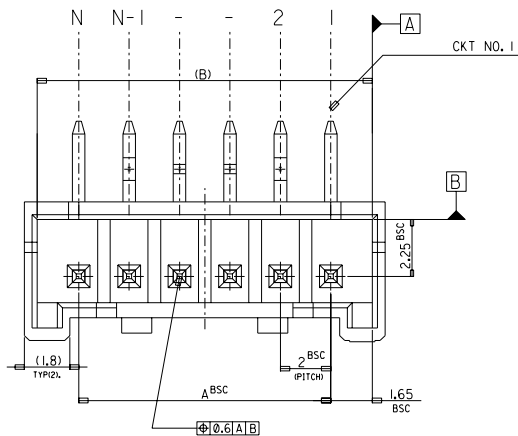
SIMILAR ITEM

PROJECT NO.

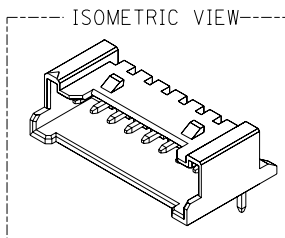
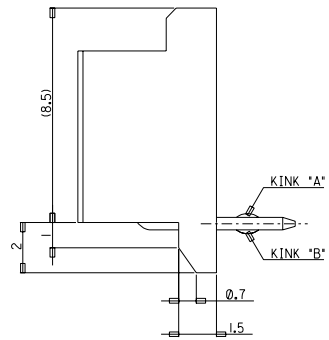
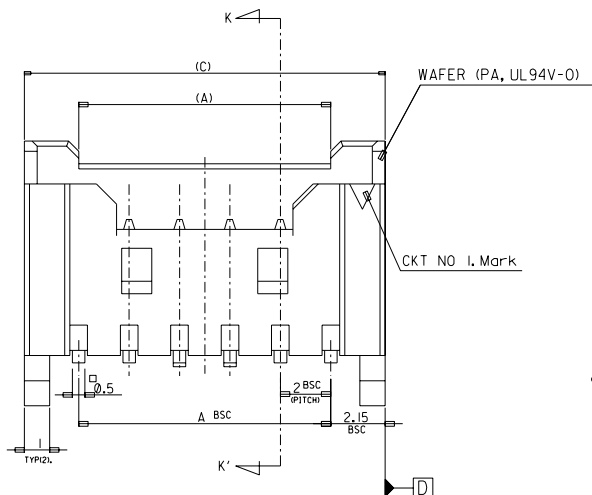
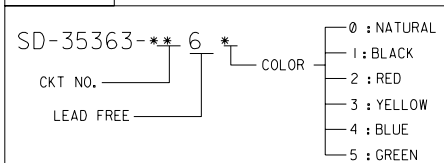
C

B

DO NOT SCALE DRAWING
DIMENSION IN METRIC



LEGEND



32.3	31.3	28	-156*	-156*	15
30.3	29.3	26	-146*	-146*	14
28.3	27.3	24	-136*	-136*	13
26.3	25.3	22	-126*	-126*	12
24.3	23.3	20	-116*	-116*	11
22.3	21.3	18	-106*	-106*	10
20.3	19.3	16	-096*	-096*	9
18.3	17.3	14	-086*	-086*	8
16.3	15.3	12	-076*	-076*	7
14.3	13.3	10	-066*	-066*	6
12.3	12.3	8	-056*	-056*	5
10.3	9.3	6	35363046*	35363-046*	4
(C)	(B)	A	MATERIAL NO.	ENG. NO.	CKT

- NOTES
- MATERIAL : WAFER : POLYAMIDE(PA), NO GLASS, UL94V-0
PIN : BRASS
 - FINISHES : TERMINAL : Sn 2*3um OVERALL
 - PRODUCT SPECIFICATION : PS-35507-003
 - MATING HOUSING : 35507-**-0*
MATING TERMINAL : 50212-8000
 - KINK

CKT NO	1	2	3	4	5	N-2	N-1	N
6 CKT OVER	-	A	B	-	-	B	A	-
5 CKT	A	B	-	B	A			
4 CKT	A	B	B	A				

30 over	±0.3
10 over 30 under	±0.25
10 under	±0.2
ANGLE	±3°
GENERAL TOLERANCE	

Release	KOR2004-037
EC NO.	KOR2004-037
DRWN:	YSOOKIM 04/02/24
CHK:	JKOH
APPR:	CWLEE
DESCRIPTION	
REV	A

MAJOR	QUALITY SYMBOLS
CRITICAL	

GENERAL TOLERANCES: (UNLESS SPECIFIED)	SCALE 1:1	DESIGN UNITS <input checked="" type="checkbox"/> mm <input type="checkbox"/> INCH	THIRD ANGLE PROJECTION <input type="checkbox"/> THIRD ANGLE <input checked="" type="checkbox"/> FIRST ANGLE
4 PLACES	±0.1	±0.004	
3 PLACES	±0.1	±0.004	
2 PLACES	±0.1	±0.004	
1 PLACE	±0.1	±0.004	
ANGULAR:	±0.1		
DRAFT WHERE APPLICABLE MUST REMAIN WITHIN DIMENSIONS			

DRAWN BY & DATE	YSOOKIM 96/09/11
CHECKED BY & DATE	J.K.Oh 96/09/11
APPROVED BY & DATE	C.W.Lee 96/09/11
CAD FILENAME	SD35363-002S1.DGN

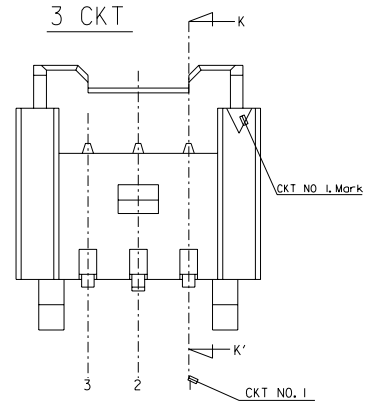
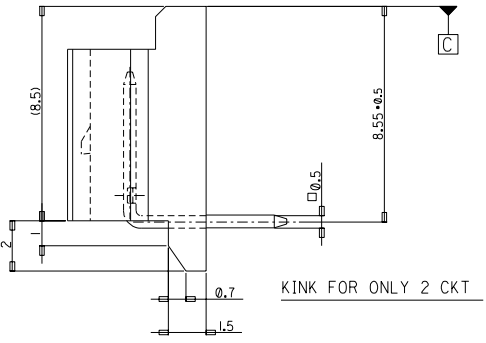
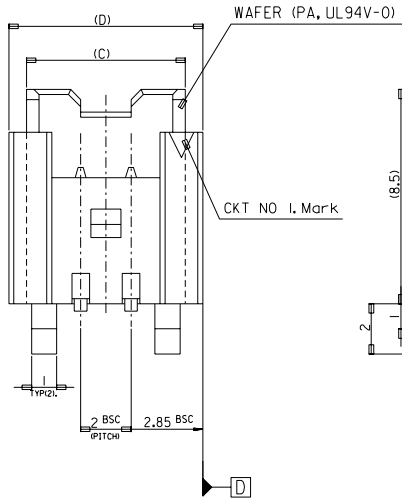
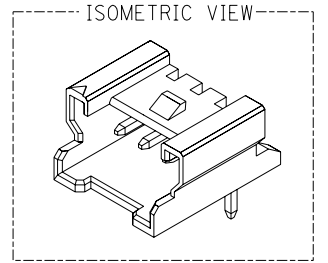
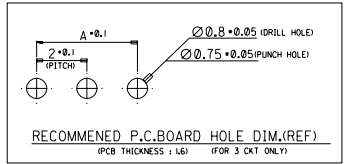
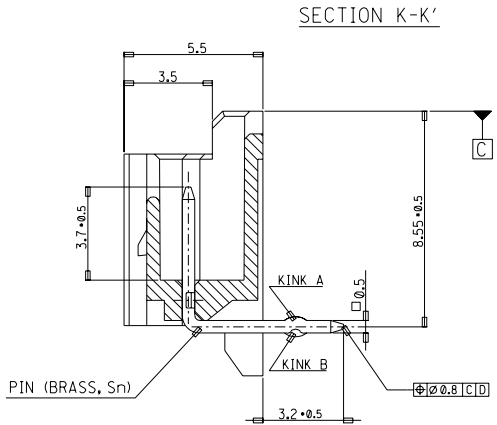
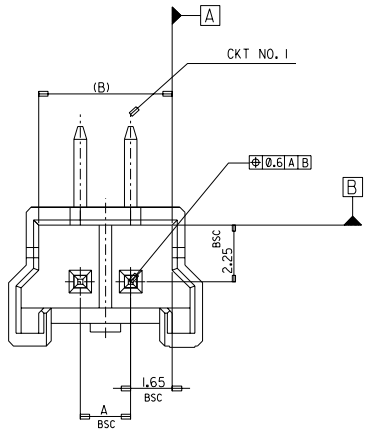
TITLE: NEW 2.0 W/B CONN WAFER ASSY (R/A) (LEAD FREE)		MATERIAL NO. SEE NOTE		DRAWING NO. SD-35363-002		SHEET NO. 1 OF 3	
MOLEX INCORPORATED				THIS DRAWING CONTAINS INFORMATION THAT IS PROPRIETARY TO MOLEX INCORPORATED AND SHOULD NOT BE USED WITHOUT WRITTEN PERMISSION.			
				SIZE B		MX-A3	

DWG. NO. SD-35363-002
 PROJECT NO. SD-35363-002
 SIMILAR ITEM
 PROJECT NO.
 C
 B
 DO NOT SCALE DRAWING
 DIMENSION IN METRIC

8 7 6 5 4 3 2 1

LEAD FREE

FOR 2 & 3 CKTS.



LEGEND	
SD-35363-***6*	COLOR
CKT NO.	0 : NATURAL
LEAD FREE	1 : BLACK
	2 : RED
	3 : YELLOW
	4 : BLUE
	5 : GREEN

9.7	8.3	7.3	4	35363036*	-036*	3
7.7	6.3	5.3	2	35363026*	35363-026*	2
(D)	(C)	(B)	A	MATERIAL NO.	ENG. NO.	CKT

- NOTES
- MATERIAL : WAFER : POLYAMIDE(PA), NO GLASS, UL94V-0
PIN : BRASS
 - FINISHES : TERMINAL : Sn 2+3um OVERALL
 - PRODUCT SPECIFICATION : PS-35507-003
 - MATING HOUSING : 35507-***0*
MATING TERMINAL : 50212-8000
 - KINK

CKT NO	1	2	3
2 CKT	NONE	KINK	
3 CKT	A	B	A

30 over	±0.3
10 over 30 under	±0.25
10 under	±0.2
ANGLE	±3°
GENERAL TOLERANCE	A

Release	EC NO.	KOR2004-0137
DRWN:	YSOOKIM	04/02/24
CHK:	JKOH	
APPR:	CWLEE	
DESCRIPTION	MAJOR	QUALITY SYMBOLS
REV	CRITICAL	

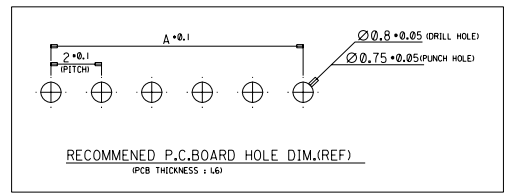
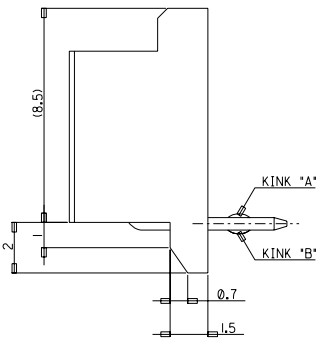
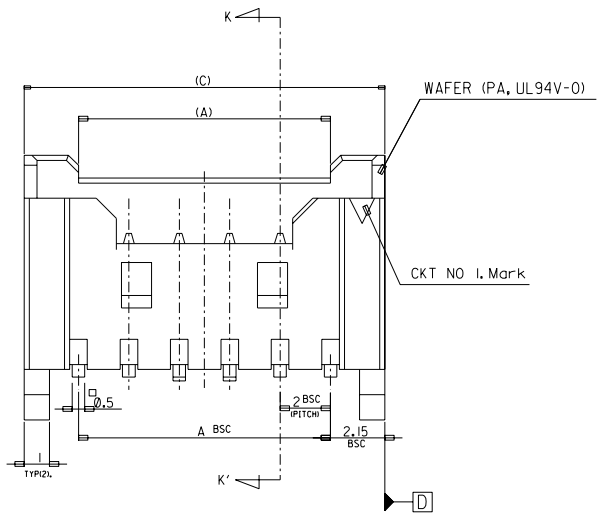
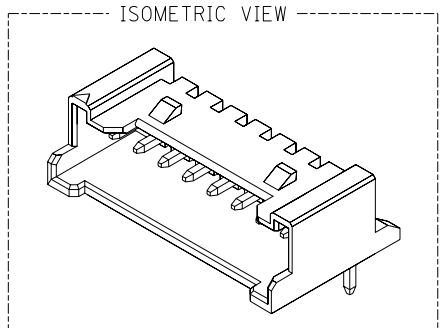
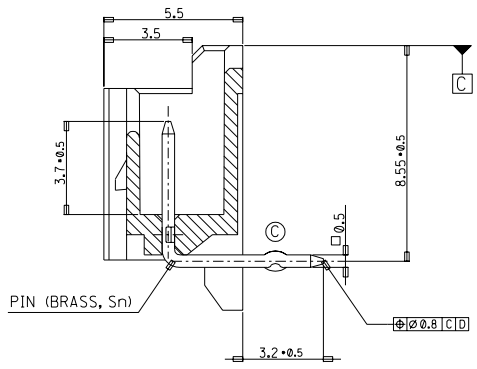
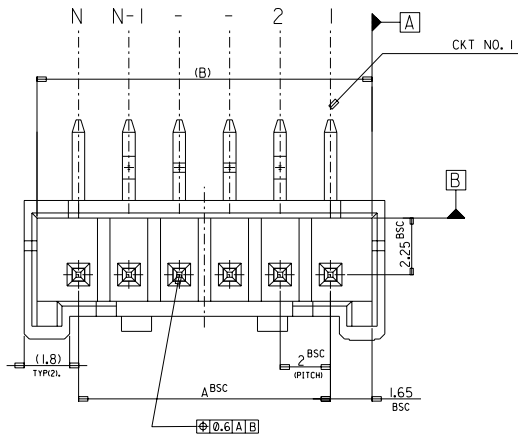
GENERAL TOLERANCES: (UNLESS SPECIFIED)	
4 PLACES	±0.1
3 PLACES	±0.15
2 PLACES	±0.2
1 PLACE	±0.3
ANGULAR: ±	
DRAFT WHERE APPLICABLE MUST REMAIN WITHIN DIMENSIONS	

SCALE	1 : 1
DESIGN UNITS	<input checked="" type="checkbox"/> mm <input type="checkbox"/> INCH
THIRD ANGLE PROJECTION	<input type="checkbox"/> THIRD ANGLE <input checked="" type="checkbox"/> FIRST ANGLE
DRAWN BY & DATE	YSOOKIM 96/09/11
CHECKED BY & DATE	J.K.Oh 96/09/11
APPROVED BY & DATE	C.W.Lee 96/09/11
CAD FILENAME	SD35363-00IS2.DGN

DIMENSIONS:		SHT	REV
<input type="checkbox"/> mm <input type="checkbox"/> INCH	<input checked="" type="checkbox"/> mm ONLY		REVISION
TITLE:		NEW 2.0 W/B CONN	
		WAFER ASSY (R/A) (LEAD FREE)	
MOLEX INCORPORATED			
MATERIAL NO.	DRAWING NO.	SHEET NO.	
SEE NOTE	SD-35363-002	2 OF 3	
THIS DRAWING CONTAINS INFORMATION THAT IS PROPRIETARY TO MOLEX INCORPORATED AND SHOULD NOT BE USED WITHOUT WRITTEN PERMISSION.			SIZE B

8 7 6 5 4 3 2 1 MX-A3

LEAD FREE



LEGEND	
SD-35363-**-**6	COLOR
CTXT NO.	
LEAD FREE	
0	NATURAL
1	BLACK
2	RED
3	YELLOW
4	BLUE
5	GREEN

42.3	41.3	38	35363206*	35363-206*	20
(C)	(B)	A	MATERIAL NO.	ENG. NO.	CKT

- NOTES
- MATERIAL : WAFER : POLYAMIDE(PA), NO GLASS, UL94V-0
PIN : BRASS
 - FINISHES : TERMINAL : Sn 2±3um OVERALL
 - PRODUCT SPECIFICATION : PS-35507-003
 - MATING HOUSING : 35507-**-**0
MATING TERMINAL : 50212-8000
 - KINK

CKT NO	1	2	3	4	N-3	N-2	N-1	N
20	-	A	B	-	-	B	A	-

30 over	±0.3
10 over 30 under	±0.25
10 under	±0.2
ANGLE	±3°
GENERAL TOLERANCE	A

Release EC NO. KOR2004-0137 DRWN: YSOOKIM 04/02/24 CHK: JKOH APPR: CWLEE	QUALITY SYMBOLS MAJOR CRITICAL	GENERAL TOLERANCES: (UNLESS SPECIFIED)	SCALE 1:1	DESIGN UNITS <input checked="" type="checkbox"/> mm <input type="checkbox"/> INCH	THIRD ANGLE PROJECTION	DIMENSIONS: <input type="checkbox"/> mm <input type="checkbox"/> INCH <input checked="" type="checkbox"/> mm ONLY	SHT	REV												
		<table border="1"> <thead> <tr> <th></th> <th>mm</th> <th>INCH</th> </tr> </thead> <tbody> <tr> <td>4 PLACES</td> <td>±0.</td> <td>±.</td> </tr> <tr> <td>3 PLACES</td> <td>±0.</td> <td>±.</td> </tr> <tr> <td>2 PLACES</td> <td>±0.</td> <td>±.</td> </tr> <tr> <td>1 PLACE</td> <td>±0.</td> <td>±.</td> </tr> </tbody> </table>		mm	INCH	4 PLACES	±0.	±.	3 PLACES	±0.	±.	2 PLACES	±0.	±.	1 PLACE	±0.	±.	DRAWN BY & DATE YSOOKIM 98/04/23	TITLE: NEW 2.0 W/B CONN WAFER ASSY (R/A) (LEAD FREE)	
	mm	INCH																		
4 PLACES	±0.	±.																		
3 PLACES	±0.	±.																		
2 PLACES	±0.	±.																		
1 PLACE	±0.	±.																		
		APPROVED BY & DATE C.W.Lee 98/04/23	MATERIAL NO. SEE NOTE		DRAWING NO. SD-35363-002		SHEET NO. 3 OF 3													
		CAD FILENAME SD35363-002S3.DGN	THIS DRAWING CONTAINS INFORMATION THAT IS PROPRIETARY TO MOLEX INCORPORATED AND SHOULD NOT BE USED WITHOUT WRITTEN PERMISSION.		MOLEX INCORPORATED		SIZE B													

DO NOT SCALE DRAWING DIMENSION IN METRIC

PROJECT NO. SD-35363-002
SIMILAR ITEM
DWG. NO. SD-35363-002