

10 9 8 7 6 5 4 3 2 1

F

E

D

C

B

A

F

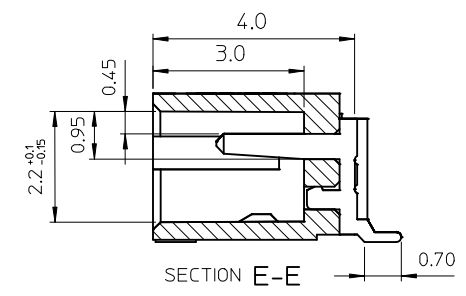
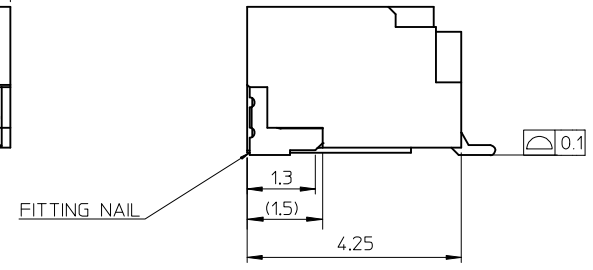
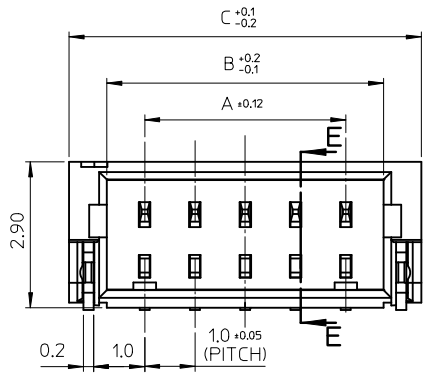
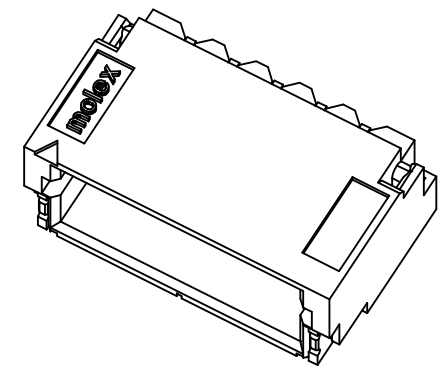
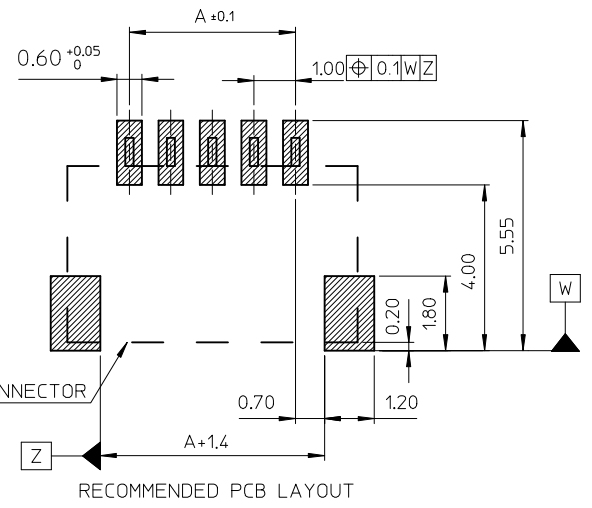
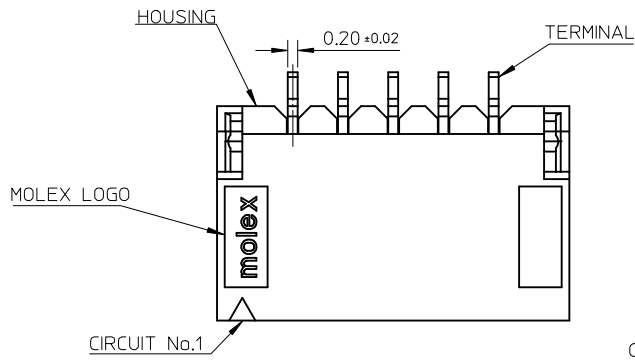
E

D

C

B

A



NOTES:
1.COPLANARITY IS 0.1 mm MAX.
2.MATERIAL : HOUSING: FOR 48227-XXX1 & 48227-XXX2
NYLON46,40% GLASS FILLED,UL 94V-0.
COLOR: SEE TABLE
FOR 48227-XXX3
NYLON HTN(PA6T/66),HALOGEN FREE,
30% GLASS FILLED,UL 94V-0.
COLOR: SEE TABLE
TERMINAL: PHOSPER BRONZE
FITTING NAIL: PHOSPER BRONZE

3.FINISHES :
TERMINAL : SEE TABLE
FITTING NAIL: SEE TABLE
4.PRODUCT SPECIFICATION REFER TO PS-48226-001
5.PACKAGING DRAWING REFER TO PK-48227-001
6.TEST SUMMARY REFER TO TS-48226-001
7.LEAD FREE AND ROHS COMPLIANT PRODUCT
8.P/N LEGEND 48227-XXXX

NO OF CKTS _____ MATERIAL & COLOR:
1=NYLON 46, NATURAL(WHITE)
2=NYLON 46, BLACK
3=NYLON HTN, BLACK
PLATING _____
0:GOLD FLASH OVER ALL
1:TIN PLATED (MATTE) OVER ALL
2:TIN PLATED (BRIGHT) OVER ALL.

ADD P/N EC NO: SHZ010-0040 DRWN:FYANG05 CHKD: APPR:RZHANG	REV D	DESCRIPTION 2009/08/07 2009/08/10 2009/09/13	QUALITY SYMBOLS ▽=0 C=0	GENERAL TOLERANCES (UNLESS SPECIFIED)	DIMENSION STYLE MM ONLY	SCALE 10:1	DESIGN UNITS METRIC	THIRD ANGLE PROJECTION	
				mm INCH	DRAWN BY BERNIE	DATE 2005/11/18	TITLE 1.0 MM WTB RIGHT ANGLE HEADER SMT TYPE		
				4 PLACES ± --- ± --- 3 PLACES ± --- ± --- 2 PLACES ± 0.25 ± --- 1 PLACE ± 0.25 ± ---	APPROVED BY WILSON	DATE 2005/11/18	MATERIAL NO. SEE TABLE	DOCUMENT NO. SD-48227-001	SHEET NO. 1 OF 3
				ANGULAR ± 3 °	DRAFT WHERE APPLICABLE MUST REMAIN WITHIN DIMENSIONS				

9 8 7 6 5 4 3 2 1

MOLEX PART NO.	HOUSING COLOR&MATERIAL	TERMINAL PLATING	FITTING NAIL PLATING	DIMA	DIMB	DIMC	CKT	
48227-0201	NATURE(WHITE) NYLON46	GOLD FLASH OVER ALL THICKNESS : 0.025 MM MIN. NICKEL UNDER PLATED OVER ALL	GOLD FLASH OVER ALL THICKNESS : 0.025 MM MIN. NICKEL UNDER PLATED OVER ALL	1.0	2.4	4.0	2	
48227-0301				2.0	3.4	5.0	3	
48227-0302	BLACK NYLON46			3.0	4.4	6.0	4	
48227-0401	NATURE(WHITE) NYLON46			4.0	5.4	7.0	5	
48227-0501				5.0	6.4	8.0	6	
48227-0601				6.0	7.4	9.0	7	
48227-0701				7.0	8.4	10.0	8	
48227-0801				8.0	9.4	11.0	9	
48227-0901				9.0	10.4	12.0	10	
48227-1001				10.0	11.4	13.0	11	
48227-1101				11.0	12.4	14.0	12	
48227-1201				12.0	13.4	15.0	13	
48227-1301				13.0	14.4	16.0	14	
48227-1401				14.0	15.4	17.0	15	
48227-1501				15.0	16.4	18.0	16	
48227-1601				16.0	17.4	19.0	17	
48227-1701				17.0	18.4	20.0	18	
48227-1801				18.0	19.4	21.0	19	
48227-1901				19.0	20.4	22.0	20	
48227-0211				NATURE(WHITE) NYLON46	TIN PLATED (MATTE) OVER ALL THICKNESS : 2.54 MM MIN. NICKEL UNDER PLATED OVER ALL	TIN PLATED (MATTE) OVER ALL THICKNESS : 2.54 MM MIN. NICKEL UNDER PLATED OVER ALL	1.0	2.4
48227-0311		BLACK NYLON46	2.0	3.4			5.0	3
48227-0411	NATURE(WHITE) NYLON46	3.0	4.4	6.0			4	
48227-0511		4.0	5.4	7.0			5	
48227-0611		5.0	6.4	8.0			6	
48227-0711		6.0	7.4	9.0			7	
48227-0811		7.0	8.4	10.0			8	
48227-0911		8.0	9.4	11.0			9	

MOLEX PART NO.	HOUSING COLOR&MATERIAL	TERMINAL PLATING	FITTING NAIL PLATING	DIMA	DIMB	DIMC	CKT
48227-1011	NATURE(WHITE) NYLON46	TIN PLATED (MATTE) OVER ALL THICKNESS : 2.54 MM MIN. NICKEL UNDER PLATED OVER ALL	TIN PLATED (MATTE) OVER ALL THICKNESS : 2.54 MM MIN. NICKEL UNDER PLATED OVER ALL	9.0	10.4	12.0	10
48227-1111				10.0	11.4	13.0	11
48227-1211				11.0	12.4	14.0	12
48227-1311				12.0	13.4	15.0	13
48227-1411				13.0	14.4	16.0	14
48227-1511				14.0	15.4	17.0	15
48227-1611				15.0	16.4	18.0	16
48227-1711				16.0	17.4	19.0	17
48227-1811				17.0	18.4	20.0	18
48227-1911				18.0	19.4	21.0	19
48227-2011	19.0	20.4	22.0	20			
48227-0221	NATURE(WHITE) NYLON46	TIN PLATED (BRIGHT) OVER ALL THICKNESS : 0.025 MM MIN. NICKEL UNDER PLATED OVER ALL	TIN PLATED (BRIGHT) OVER ALL THICKNESS : 0.025 MMR MIN. NICKEL UNDER PLATED OVER ALL	1.0	2.4	4.0	2
48227-0321	BLACK NYLON46			2.0	3.4	5.0	3
48227-0421	NATURE(WHITE) NYLON46			3.0	4.4	6.0	4
48227-0521				4.0	5.4	7.0	5
48227-0621				5.0	6.4	8.0	6
48227-0721				6.0	7.4	9.0	7
48227-0821				7.0	8.4	10.0	8
48227-0921				8.0	9.4	11.0	9
48227-1021				9.0	10.4	12.0	10
48227-1121				10.0	11.4	13.0	11
48227-1221	11.0	12.4	14.0	12			
48227-1321	12.0	13.4	15.0	13			
48227-1421	13.0	14.4	16.0	14			
48227-1521	14.0	15.4	17.0	15			
48227-1621	15.0	16.4	18.0	16			
48227-1721	16.0	17.4	19.0	17			
48227-1821	17.0	18.4	20.0	18			
48227-1921	18.0	19.4	21.0	19			
48227-2021	19.0	20.4	22.0	20			

SEE SHEET1
 EC NO: SHZ010-0040
 DRW:FWYANG05
 CHKD: 2009/08/10
 APPR:RZHANG
 2009/09/13

QUALITY SYMBOLS
 =0
 =0

GENERAL TOLERANCES (UNLESS SPECIFIED)

	mm	INCH
4 PLACES	± ---	± ---
3 PLACES	± ---	± ---
2 PLACES	± 0.25	± ---
1 PLACE	± 0.25	± ---
ANGULAR ± 3 °		

DRAFT WHERE APPLICABLE MUST REMAIN WITHIN DIMENSIONS

DIMENSION STYLE
MM ONLY

DRAWN BY	DATE
BERNIE	2005/11/18
CHECKED BY	DATE
ERIC KAO	2005/11/18
APPROVED BY	DATE
WILSON	2005/11/18

MATERIAL NO. SEE TABLE

SCALE 1:1
 DESIGN UNITS METRIC
 THIRD ANGLE PROJECTION

TITLE 1.0 MM WTB RIGHT ANGLE HEADER SMT TYPE

MOLEX INCORPORATED
 DOCUMENT NO. SD-48227-001
 SHEET NO. 2 OF 3

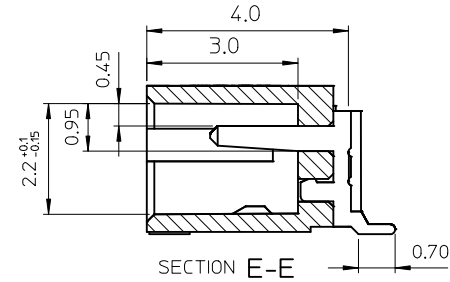
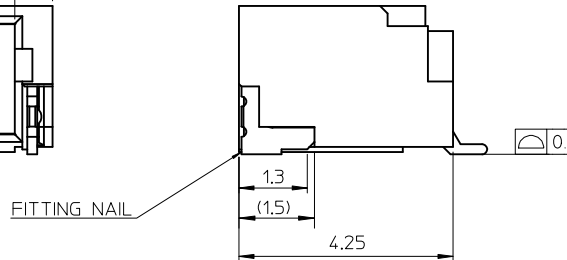
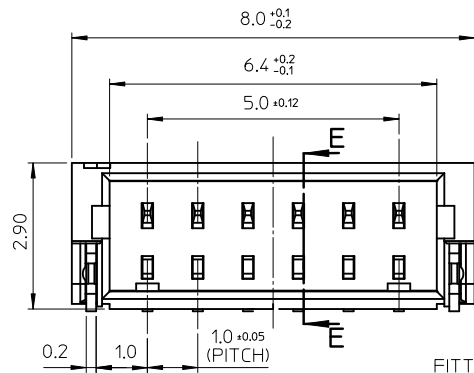
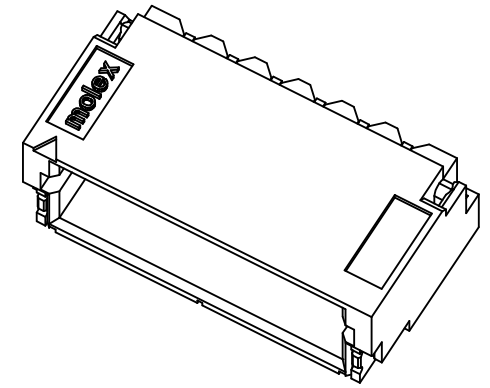
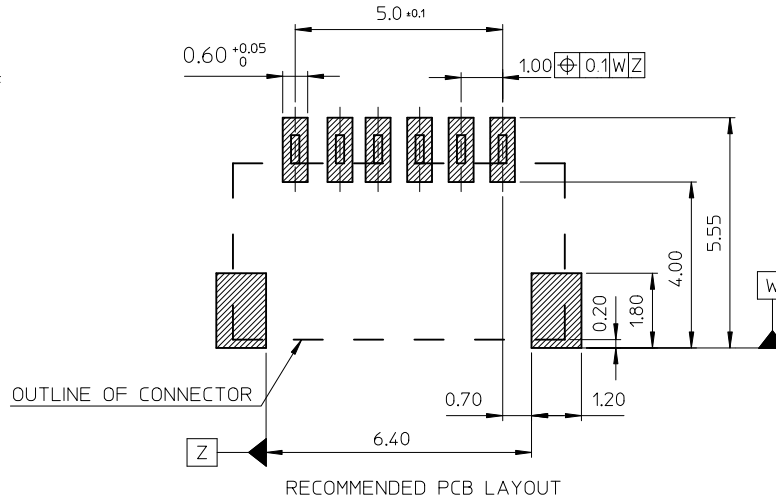
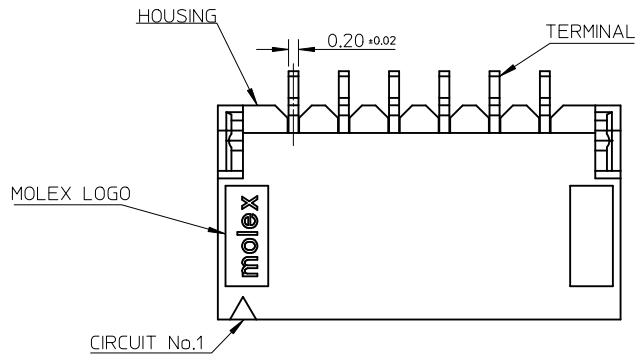
THIS DRAWING CONTAINS INFORMATION THAT IS PROPRIETARY TO MOLEX INCORPORATED AND SHOULD NOT BE USED WITHOUT WRITTEN PERMISSION

MOLEX PART NO.	HOUSING COLOR&MATERIAL	TERMINAL PLATING	FITTING NAIL PLATING	DIMA	DIMB	DIMC	CKT
48227-0203	BLACK NYLON HTN(PA6T/66) HALOGEN FREE	GOLD FLASH OVER ALL THICKNESS : 0.025 MM MIN. NICKEL UNDER PLATED OVER ALL	GOLD FLASH OVER ALL THICKNESS : 0.025 MM MIN. NICKEL UNDER PLATED OVER ALL	1.0	2.4	4.0	2
48227-0303				2.0	3.4	5.0	3
48227-0403				3.0	4.4	6.0	4
48227-0503				4.0	5.4	7.0	5
48227-0603				5.0	6.4	8.0	6
48227-0703				6.0	7.4	9.0	7
48227-0803				7.0	8.4	10.0	8
48227-0903				8.0	9.4	11.0	9
48227-1003				9.0	10.4	12.0	10
48227-1103				10.0	11.4	13.0	11
48227-1203				11.0	12.4	14.0	12
48227-1303				12.0	13.4	15.0	13
48227-1403				13.0	14.4	16.0	14
48227-1503				14.0	15.4	17.0	15
48227-1603				15.0	16.4	18.0	16
48227-1703				16.0	17.4	19.0	17
48227-1803				17.0	18.4	20.0	18
48227-1903				18.0	19.4	21.0	19
48227-2003				19.0	20.4	22.0	20
48227-0213				BLACK NYLON HTN(PA6T/66) HALOGEN FREE	TIN PLATED (MATTE) OVER ALL THICKNESS : 2.54 MM MIN. NICKEL UNDER PLATED OVER ALL	TIN PLATED (MATTE) OVER ALL THICKNESS : 2.54 MM MIN. NICKEL UNDER PLATED OVER ALL	1.0
48227-0313	2.0	3.4	5.0				3
48227-0413	3.0	4.4	6.0				4
48227-0513	4.0	5.4	7.0				5
48227-0613	5.0	6.4	8.0				6
48227-0713	6.0	7.4	9.0				7
48227-0813	7.0	8.4	10.0				8
48227-0913	8.0	9.4	11.0				9

MOLEX PART NO.	HOUSING COLOR&MATERIAL	TERMINAL PLATING	FITTING NAIL PLATING	DIMA	DIMB	DIMC	CKT			
48227-1013	BLACK NYLON HTN(PA6T/66) HALOGEN FREE	TIN PLATED (MATTE) OVER ALL THICKNESS : 2.54 MM MIN. NICKEL UNDER PLATED OVER ALL	TIN PLATED (MATTE) OVER ALL THICKNESS : 2.54 MM MIN. NICKEL UNDER PLATED OVER ALL	9.0	10.4	12.0	10			
48227-1113				10.0	11.4	13.0	11			
48227-1213				11.0	12.4	14.0	12			
48227-1313				12.0	13.4	15.0	13			
48227-1413				13.0	14.4	16.0	14			
48227-1513				14.0	15.4	17.0	15			
48227-1613				15.0	16.4	18.0	16			
48227-1713				16.0	17.4	19.0	17			
48227-1813				17.0	18.4	20.0	18			
48227-1913				18.0	19.4	21.0	19			
48227-2013				19.0	20.4	22.0	20			
48227-0223				BLACK NYLON HTN(PA6T/66) HALOGEN FREE	TIN PLATED (BRIGHT) OVER ALL THICKNESS : 2.54 MM MIN. NICKEL UNDER PLATED OVER ALL	TIN PLATED (BRIGHT) OVER ALL THICKNESS : 2.54 MM MIN. NICKEL UNDER PLATED OVER ALL	1.0	2.4	4.0	2
48227-0323							2.0	3.4	5.0	3
48227-0423							3.0	4.4	6.0	4
48227-0523							4.0	5.4	7.0	5
48227-0623							5.0	6.4	8.0	6
48227-0723							6.0	7.4	9.0	7
48227-0823							7.0	8.4	10.0	8
48227-0923							8.0	9.4	11.0	9
48227-1023							9.0	10.4	12.0	10
48227-1123	10.0	11.4	13.0				11			
48227-1223	11.0	12.4	14.0				12			
48227-1323	12.0	13.4	15.0				13			
48227-1423	13.0	14.4	16.0				14			
48227-1523	14.0	15.4	17.0				15			
48227-1623	15.0	16.4	18.0				16			
48227-1723	16.0	17.4	19.0				17			
48227-1823	17.0	18.4	20.0				18			
48227-1923	18.0	19.4	21.0				19			
48227-2023	19.0	20.4	22.0				20			

SEE SHEET1 EC NO: SH2010-0040 DR:WKF:YANG05 CHKD: APPR:RZHANG 2009/08/07 2009/08/10 2009/09/13	QUALITY SYMBOLS	GENERAL TOLERANCES (UNLESS SPECIFIED) mm INCH 4 PLACES ± --- ± --- 3 PLACES ± --- ± --- 2 PLACES ± 0.25 ± --- 1 PLACE ± 0.25 ± --- ANGULAR ± 3 °	DIMENSION STYLE	SCALE	DESIGN UNITS	THIRD ANGLE PROJECTION
			MM ONLY	1:1	METRIC	
			DRAWN BY DATE	TITLE		
			CHECKED BY DATE	1.0 MM WTB RIGHT ANGLE HEADER SMT TYPE		
	APPROVED BY DATE	MOLEX MOLEX INCORPORATED				
	MATERIAL NO.	DOCUMENT NO.				
	SEE TABLE	SD-48227-001				
	SIZE A3	SHEET NO. 3 OF 3				
	DRAFT WHERE APPLICABLE MUST REMAIN WITHIN DIMENSIONS					
	THIS DRAWING CONTAINS INFORMATION THAT IS PROPRIETARY TO MOLEX INCORPORATED AND SHOULD NOT BE USED WITHOUT WRITTEN PERMISSION					

10 9 8 7 6 5 4 3 2 1



NOTES:
1.COPLANARITY IS 0.1 mm MAX.
2.MATERIAL : HOUSING: NYLON HTN(PA6T/66),HALOGEN FREE, 30% GLASS FILLED,UL 94V-0, COLOR: BLACK
TERMINAL: PHOSPER BRONZE.
FITTING NAIL: PHOSPER BRONZE

3.FINISHES :
TERMINAL : TIN PLATED (MATTE) OVER ALL
FITTING NAIL: TIN PLATED (MATTE) OVER ALL
4.PRODUCT SPECIFICATION REFER TO PS-48226-001
5.PACKAGING DRAWING REFER TO PK-48355-001
6.TEST SUMMARY REFER TO TS-48226-001
7.LEAD FREE AND ROHS COMPLIANT PRODUCT
8.P/N LEGEND 48355-06XX

MATERIAL & COLOR:
3=NYLON HTN, BLACK
PLATING:
1:TIN PLATED (MATTE) OVER ALL

NEW RELEASE EC NO: SH2010-0417 DRAWN: FANG05 2010/05/06 CHK: ERIC KAO 2005/11/18 APPR: RZHANG 2010/05/19	DESCRIPTION REV	QUALITY SYMBOLS	GENERAL TOLERANCES (UNLESS SPECIFIED)		DIMENSION STYLE	SCALE	DESIGN UNITS	THIRD ANGLE PROJECTION	
		$\nabla_F = 0$	mm	INCH	MM ONLY	10:1	METRIC		
		$\nabla_F = 0$	4 PLACES ± --- ± ---	3 PLACES ± --- ± ---	DRAWN BY BERNIE	DATE 2005/11/18	TITLE 1.0 MM WTB RIGHT ANGLE HEADER SMT TYPE		
		$\nabla_F = 0$	2 PLACES ± 0.25 ± ---	1 PLACE ± 0.25 ± ---	CHECKED BY ERIC KAO	DATE 2005/11/18	MOLEX MOLEX INCORPORATED		
	ANGULAR ± 3 °		APPROVED BY WILSON	DATE 2005/11/18	MATERIAL NO. 48355-0613	DOCUMENT NO. SD-48355-001			
DRAFT WHERE APPLICABLE MUST REMAIN WITHIN DIMENSIONS			SIZE A3	THIS DRAWING CONTAINS INFORMATION THAT IS PROPRIETARY TO MOLEX INCORPORATED AND SHOULD NOT BE USED WITHOUT WRITTEN PERMISSION					

9 8 7 6 5 4 3 2 1