

NOTES:

1. 材料

MATERIAL

ハウジング : 液晶ポリマー、UL94V-0、黒色
HOUSING : LIQUID CRYSTAL POLYMER (LCP)
UL94V-0,COLOR BLACK
カバー : 液晶ポリマー、UL94V-0、白色
COVER : LIQUID CRYSTAL POLYMER (LCP)
UL94V-0,COLOR WHITE

端子 : 銅合金
CONTACT : COPPER ALLOY
半田ボール : 半田
SOLDER BALL : TIN-LEAD (63:37)
φ0.76

カム : ステンレス鋼
CAM : STAINLESS STEEL
カムホルダー : ステンレス鋼
CAM : STAINLESS STEEL

2. めっき
PLATING

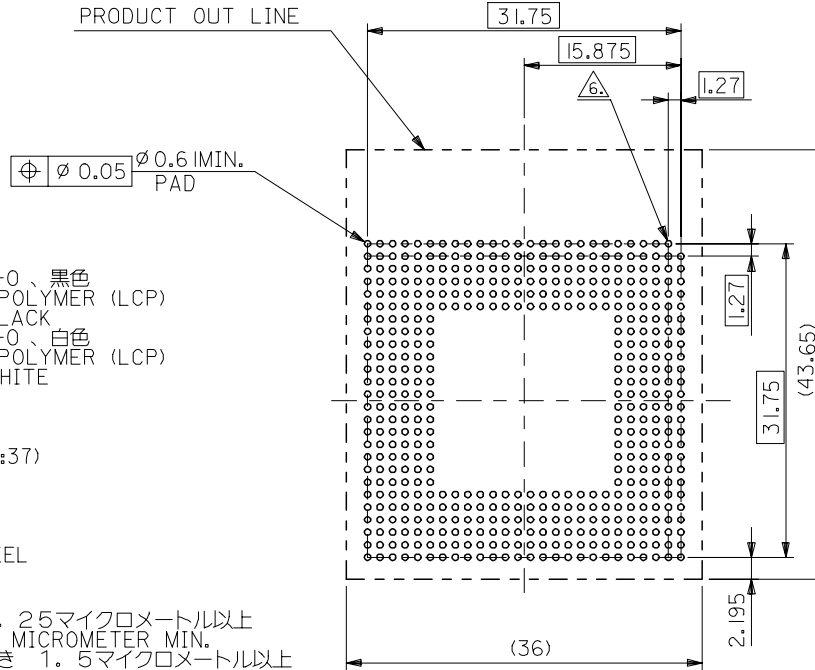
接点領域 : 金めっき 0.25マイクロメートル以上
CONTACT AREA : GOLD 0.25 MICROMETER MIN.
下地めっき : ニッケルめっき 1.5マイクロメートル以上
UNDER PLATING : NICKEL 1.5MICROMETER MIN.

3. 半田ボール平坦度

SOLDER BALL COPLANARITY : 0.2MAX.

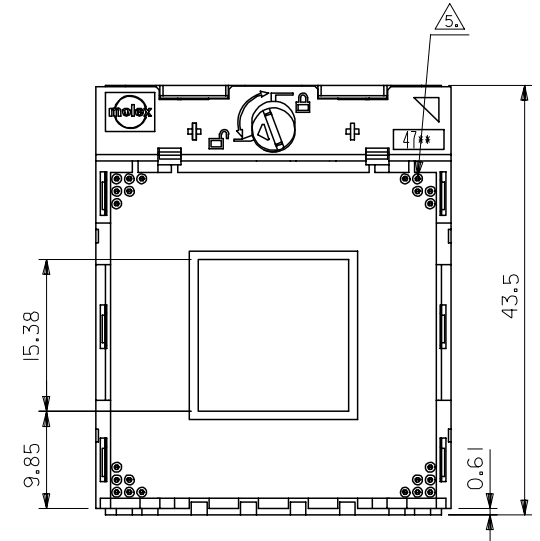
△. DATE CODE.

- △ 51248-4782の場合は穴および半田ボールが無い。
TO BE NO HOLE AND SOLDER BALL IN 51248-4782.
- △ 51248-4782の場合はパッドが無い。
TO BE NO PAD IN 51248-4782.



RECOMMENDED P.C. BOARD LAYOUT

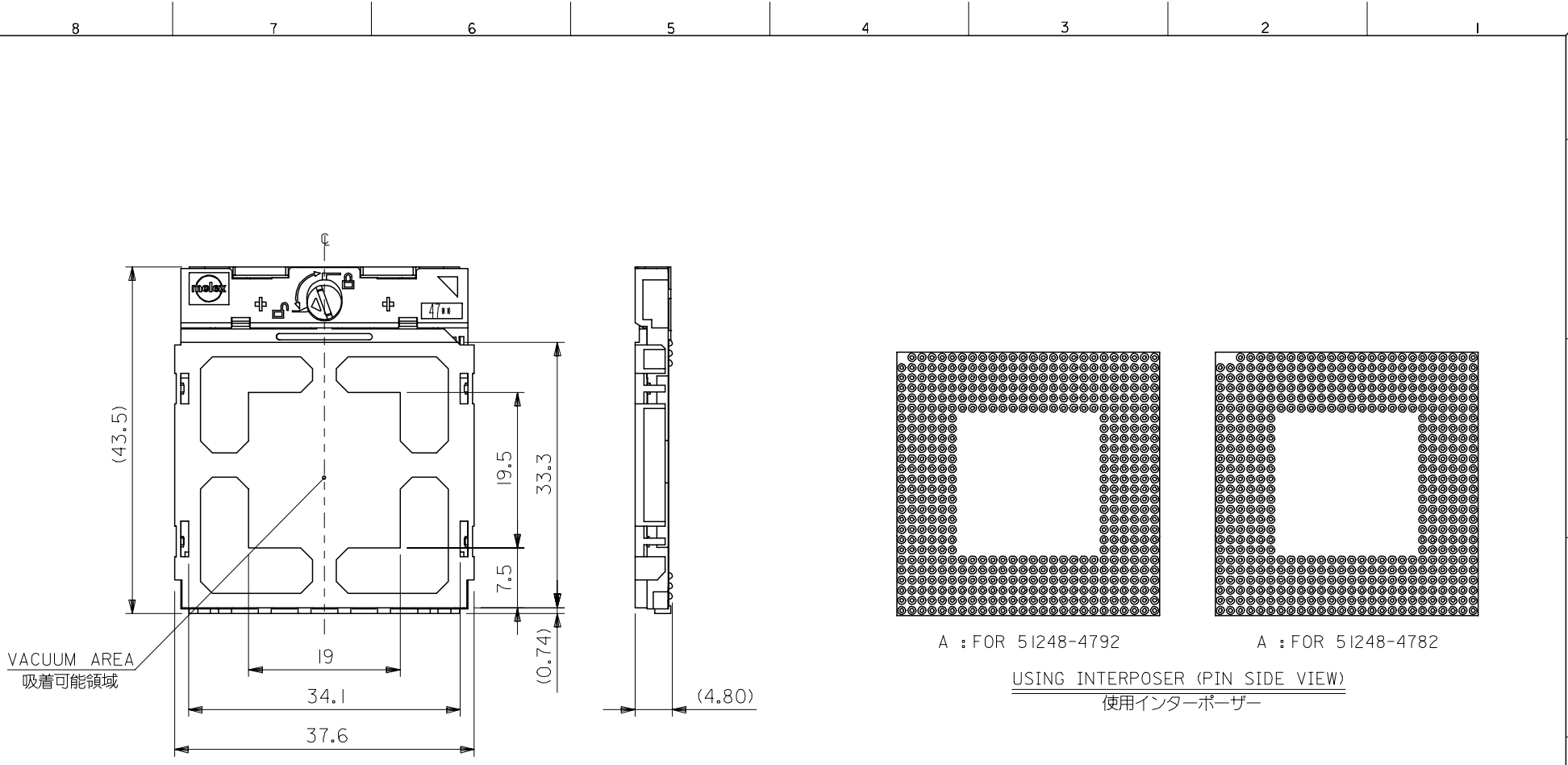
推奨基板寸法



OPEN CONDITION

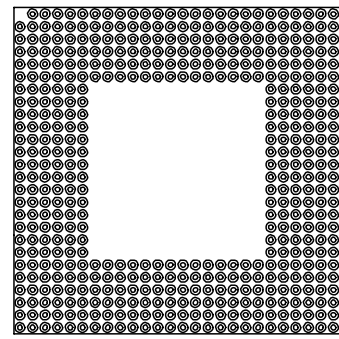
DO NOT SCALE DRAWING

EC NO. DRWN: CHK: APPR:	EC NO. DRWN: CHK: APPR:	EC NO. DRWN: CHK: APPR:	EC NO. DRWN: CHK: APPR:	SEE SHEET 1 OF 3	MATERIAL 材料	GENERAL TOLERANCES: (UNLESS SPECIFIED) 一般公差	SCALE 2 - 1	DESIGN UNITS <input checked="" type="checkbox"/> mm <input type="checkbox"/> INCH	THIRD ANGLE PROJECTION	DIMENSIONS: <input type="checkbox"/> mm <input type="checkbox"/> INCH <input type="checkbox"/> mm <input type="checkbox"/> MM	SHT	REV
						10 UNDER 未満	+0.2	DRAWN BY & DATE <i>R. Suzuki</i> '01/10/26	TITLE: mPGA478/479 SOCKET ASS'Y	REVISE ON CAD ONLY		
						10 OVER 以上	30 UNDER 未満	+0.25	CHECKED BY & DATE <i>H. Hirata</i> '01/10/26			
						30 OVER 以上		+0.3	APPROVED BY & DATE <i>H. Hirata</i> '01/10/26			
						ANGLE 角度		±3°	CAD FILENAME SD-51248-003.S02	MATERIAL NO. SEE SHEET 1 OF 3	DRAWING NO. SD-51248-003	SHEET NO. 2
FINISH 仕上げ	WIRE RANGE 適用電線範囲	INS. RANGE 被覆外径	THIS DRAWING CONTAINS INFORMATION THAT IS PROPRIETARY TO MOLEX INCORPORATED AND SHOULD NOT BE USED WITHOUT WRITTEN PERMISSION.			SIZE B						

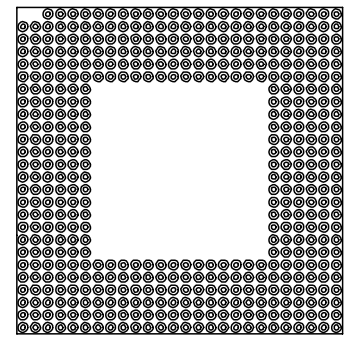


VACUUM AREA
吸着可能領域

AT PACKAGED (WITH ATTACHMENT COVER)
梱包状態 (アタッチメント・カバー付き)



A : FOR 51248-4792



A : FOR 51248-4782

USING INTERPOSER (PIN SIDE VIEW)
使用インターポザー

DO NOT SCALE DRAWING

EC NO. DRWN: CHK: APPR:		EC NO. DRWN: CHK: APPR:		EC NO. DRWN: CHK: APPR:		EC NO. DRWN: CHK: APPR:		SEE SHEET 1 OF 3 EC NO. DRWN: CHK: APPR:		DESCRIPTION		MATERIAL 材料		GENERAL TOLERANCES: (UNLESS SPECIFIED) 一般公差		SCALE 2 - 1		DESIGN UNITS <input checked="" type="checkbox"/> mm <input type="checkbox"/> INCH		THIRD ANGLE PROJECTION		DIMENSIONS: <input type="checkbox"/> mm <input type="checkbox"/> INCH <input checked="" type="checkbox"/> mm ONLY		SHT REV			
										FINISH 仕上げ		10 UNDER 未満		+0.2		DRAWN BY & DATE <i>R. Suzuki</i> '01/10/26		TITLE: mPGA478/479 SOCKET ASS'Y									
										WIRE RANGE 適用電線範囲		30 UNDER 未満		+0.25		CHECKED BY & DATE <i>H. Hirata</i> '01/10/26											
										INS. RANGE 被覆外径		30 OVER 以上		+0.3		APPROVED BY & DATE <i>H. Hirata</i> '01/10/26		MATERIAL NO. SEE SHEET 1 OF 3		DRAWING NO. SD-51248-003		SHEET NO. 3					
										ANGLE 角度				±3°		CAB FILENAME SD-51248-003.S03						MOLEX INCORPORATED		THIS DRAWING CONTAINS INFORMATION THAT IS PROPRIETARY TO MOLEX INCORPORATED AND SHOULD NOT BE USED WITHOUT WRITTEN PERMISSION.		SIZE B	

SD-51248-003-S03