

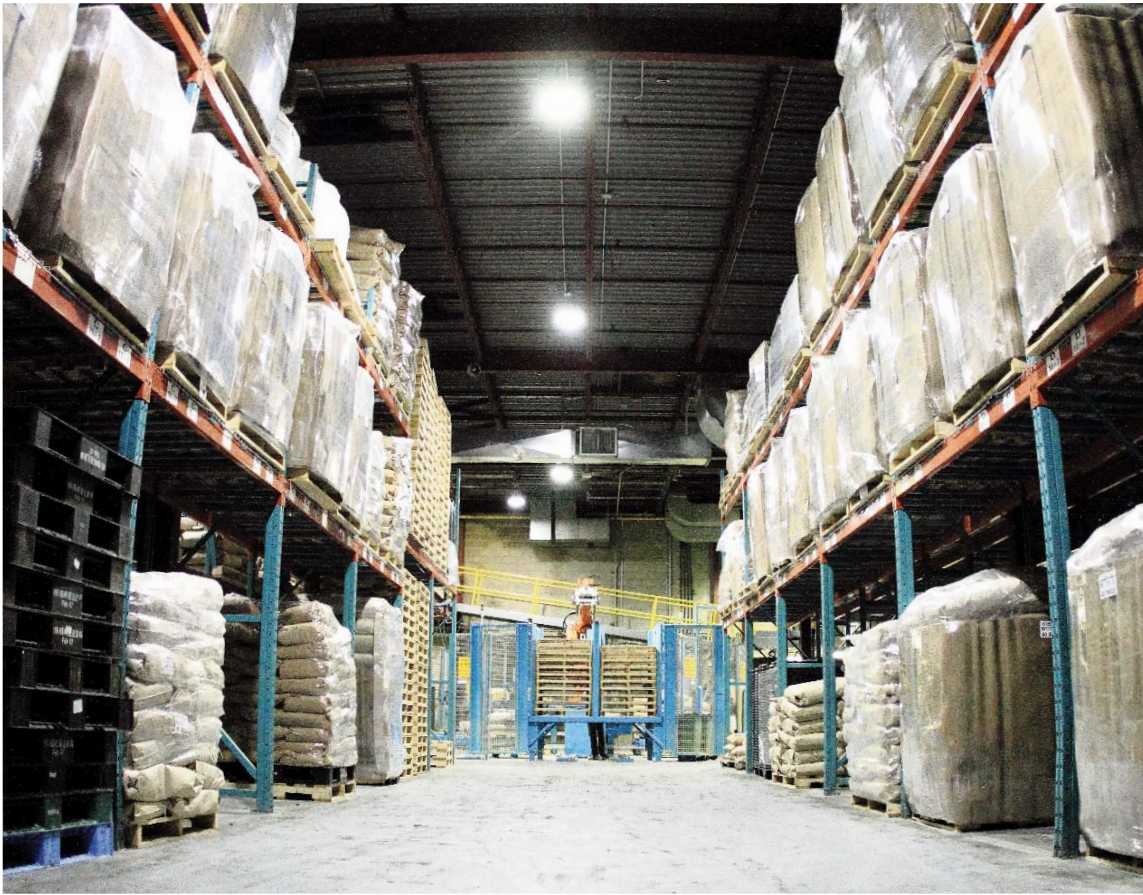


Patent Pending

DuroSite® Series LED High Bay
for Indoor and Outdoor Industrial Applications



DuroSite® Series LED High Bay



Features & Benefits

- L70 rated for > 100,000 hours @ 25°C ambient
- 5 year full performance warranty
- Up to 101lm/W
- Significant energy savings
- Instant on/off
- Maintenance free
- Mercury free
- No UV or IR
- Produces minimal heat compared to traditional fixtures
- Reflector based optics for precise light control
- Resistant to shock and vibration
- Temperature compensation technology for long life
- Copper free aluminum
- Typical payback < 2 years



Rockline Industries
Manufacturing Facility



MMD Shipping
Cold Storage Facility



MedSafe
Warehouse Facility

Typical Applications

- Food and Beverage
- Heavy Industrial
- Manufacturing
- Pulp and Paper
- Fuel Pump Canopy
- Cold Storage
- Warehouse



Significantly smaller than traditional High Bay fixtures

View the full case studies at:

G.S. Dunn Limited - www.dialight.com/news/details/gsdunn_case_study

Rockline Industries - www.dialight.com/news/details/rockline_case_study

MedSafe - www.dialight.com/news/details/medsafe_case_study

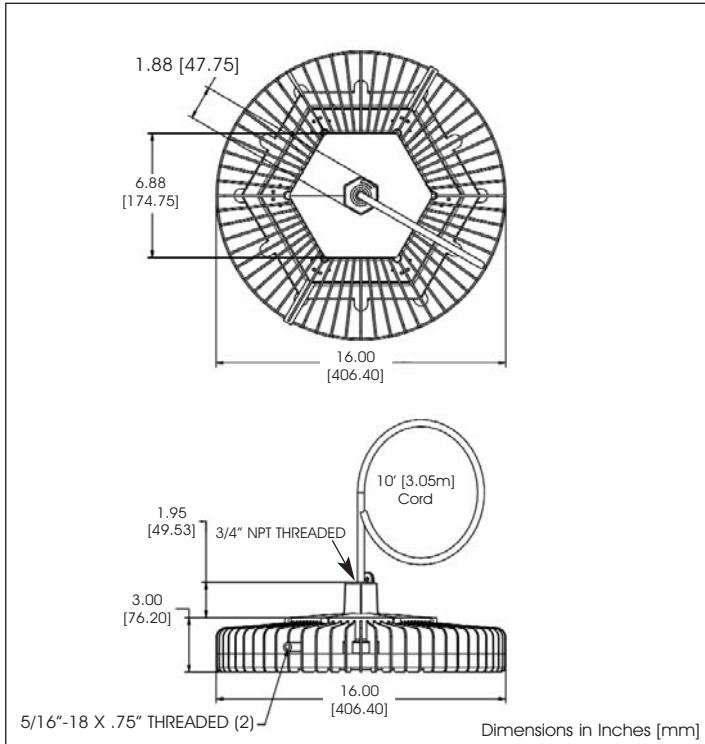
Kuehne + Nagel - www.dialight.com/news/details/kuehne_nagel_case_study

MMD Shipping - www.dialight.com/news/details/mmd_shipping

Complete your own Return on Investment calculation at: www.dialight.com/tcoCalculator/Durosites_HighBay



DuroSite® LED High Bay Fixture



Certifications & Ratings

- UL-1598 (acrylic lens models)
- UL-1598A (polycarbonate lens and tempered glass)
- CSA 22 #250
- FCC Title 47
- NEMA - 4X
- IP-66
- Dark Sky Compliant

Application:

Dialight's DuroSite® LED High Bay fixture was designed specifically to replace conventional lighting in a wide variety of industrial applications; both indoor and outdoor. Its low profile light weight design and versatile mounting options make it ideal for many applications such as warehouse, garage, aisle, cold storage, bridge, tunnel and general area lighting.

All of Dialight's long life LED luminaires are designed to meet the most demanding specification criteria while offering maximum energy savings, reduced maintenance costs, and a superior quality of light.

Mechanical Information

Fixture Weight:	17 lbs (7.7 kg)
Shipping Weight:	23 lbs (10.43 kg)
Mounting:	(1) 3/4" NPT (2) 5/16"-18 x .75" UNC
Cabling:	10' (3.5m) SOOW Power Cord

Electrical specifications

Operating Voltage:	100 – 277V AC for models up to 12,000lm 120 – 277V AC for 14,500lm & 17,500lm
--------------------	--

Total System Power Consumption:	See table
Operating Temp:	-40°F to +149°F (-40°C to +65°C)

Harmonics:	IEC 61000-3-2
Transient Protection:	1 kV line to line 2 kV line to ground

Power Factor:	> 0.9
Fusing:	Internal on black wire

Construction

Housing:	Powder coated aluminum
Finish:	Polyester / epoxy powder coat gray RAL 7040 for superior corrosion resistance
Lens:	Acrylic - UL1598 dry location Polycarbonate - UL1598A wet location Polycarbonate dome lens Tempered glass

Photometric Information

CRI:	72
CCT:	5,650K (cool white) 4,300K (neutral white)

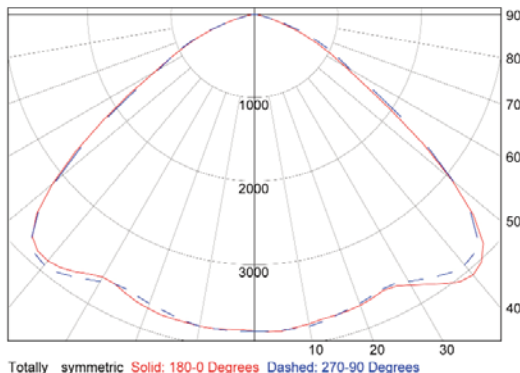
All values typical unless otherwise stated



Meets Buy American
For projects requiring Buy American certification, consult factory for additional information and details

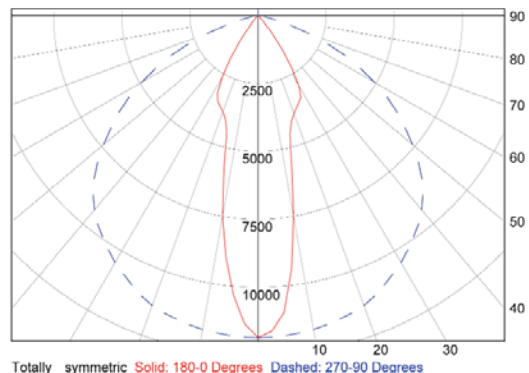
Candela Plots

Circular Pattern



Totally symmetric Solid: 180-Degrees Dashed: 270-90 Degrees

Aisle Pattern

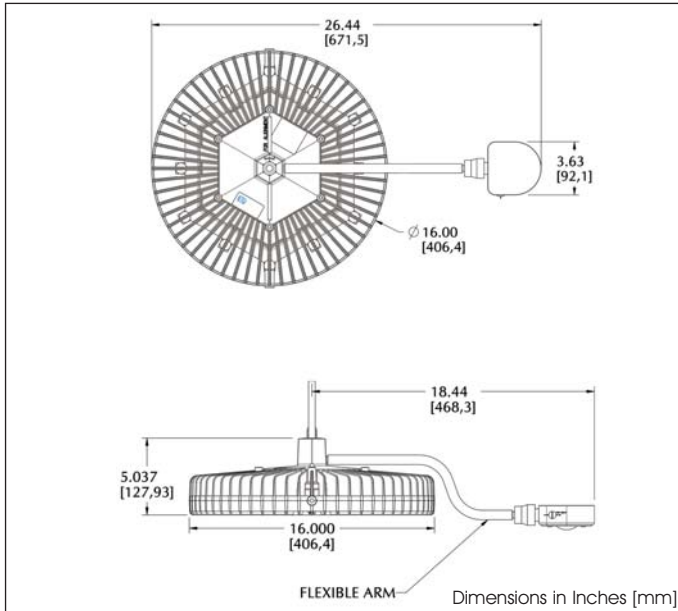
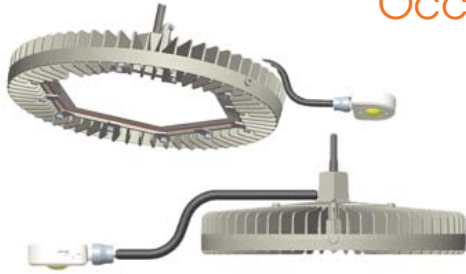


Totally symmetric Solid: 180-Degrees Dashed: 270-90 Degrees

Examples shown are 11,500 lumen models, HB6C4M - aisle pattern and HB2C4M - circular

DuroSite® LED High Bay Fixture Options

Occupancy Sensor Version



Mechanical, Electrical and Photometric information is the same as on page 3 except where detail is provided

Fixture Weight: 19lbs (11.34kg)
 Container Weight: 25lbs (8.62kg)
 Sensor Mounting: Attached to the base of the neck using a semi-rigid flexible conduit

Occupancy Sensor: Dry location Leviton OSFHU - CTW (120 - 347V AC) or C4W (480V AC)
 Wet location Wattstopper HB350W (120 - 347V AC) or HB340W (480V AC)

Sensor Timing: 30 seconds to 20 minutes

Sensor Lens Options: Comes complete with interchangeable lenses for multiple mounting heights

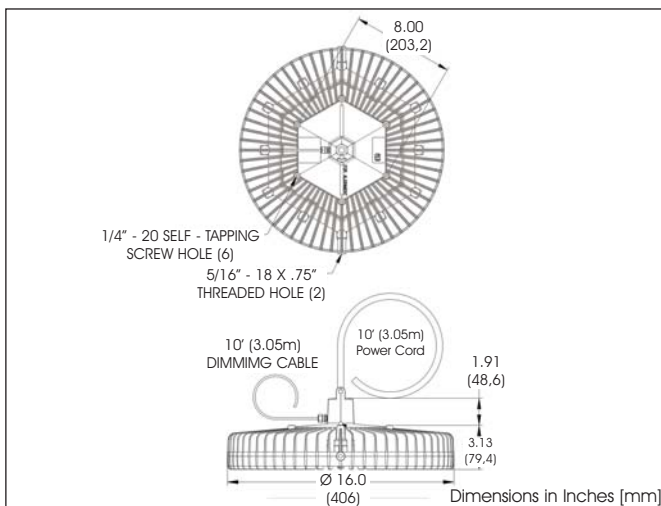
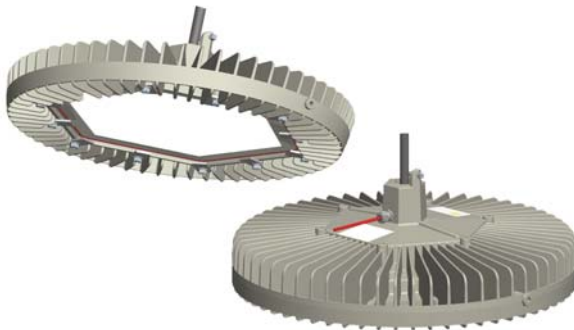
Operating Temperature

Leviton models: -14°F to +149°F (-10°C to +65°C)
 Wattstopper models: -40°F to +149°F (-40°C to +65°C)

Features and Benefits

- No additional electrical connections required for installation
- Flexible conduit permitting the positioning of the occupancy sensor for optimal coverage
- Interchangeable sensor lens for high bay, low bay, or aisle applications

Variable Dimming (0-10 VDC) & STEP Dimming



Mechanical, Electrical and Photometric information is the same as on page 3 except where detail is provided

Variable Dimming Cable: Two conductor cable

Power Cable: Three conductor cable

Dimming Cable Position: Side of the neck through a cable gland

Variable Dimming Control: 0-10 V DC active

Dimming Range: 10 V DC = 100% light output
 0 V DC = 15% light output

Features and Benefits

- 10' plenum rated dimming control cable pre-installed
- Dimming cabling independent of fixture wiring
- Multiple High Bays can be connected to the same dimmer
- May also be configured to operate in a single STEP Dimming configuration

STEP Dimming Mode

The variable dimming High Bays may also be configured to operate in a single STEP Dimming configuration. When the dimming control conductors are connected together, the light output will be reduced to approximately 15% of the maximum light output. The total fixture power consumption will also be reduced to approximately 20% (30 W). Connecting the leads together can be accomplished with a common wall switch.

DuroSite® Series LED High Bay Fixture

Ordering Information

Part Number ^{1,4}	Initial Fixture Lumens ²	Wattage	Lumens Per Watt	UL-1598A IP-66, NEMA - 4X CSA 22.2 #250 Marine Wet Locations ³	Lens ⁵		Optical Pattern	
					Clear	Diffused	Circular	Aisle
HBGCMF	17,500	172	101	•	Tempered Glass		•	
HBGC4P	14,500	161	90	•	Tempered Glass		•	
HB2C4P	12,000	153	78	•	Polycarbonate		•	
HB0C4P	11,500	153	75	•		Polycarbonate	•	
HB1C4N	11,500	146	79		Acrylic		•	
HB6C4M	11,500	146	79		Acrylic			•
HB1C4J	11,000	146	76		Acrylic		•	
HB2C4M	10,750	146	73	•	Polycarbonate		•	
HB5C4M	10,750	146	74			Acrylic	•	
HB5C4T	10,750	146	74			Acrylic	•	
HB2C4K	10,500	146	73	•	Polycarbonate		•	
HB7C4M	10,500	146	72	•	Polycarbonate			•
HB5C4J	10,500	137	77			Acrylic	•	
HB1C4S	10,500	137	77		Acrylic		•	
HB3C4L	9,000	124	72			Acrylic	•	
HBWC4L	8,750	135	65	•		Polycarbonate	•	
HB4C4L	8,500	124	69	•		Polycarbonate	•	
Occupancy Sensor High Bays								
HBGCQZ	17,500	172	101	•	Tempered Glass		•	
HBGC1T	14,500	161	90	•	Tempered Glass		•	
HB1C4T	11,500	146	79		Acrylic		•	
HB6C4T	11,500	146	78		Acrylic			•
HB1C4S	11,000	146	76		Acrylic		•	
HB5C4S	10,500	137	77			Acrylic	•	
HB2C4T	10,500	146	73	•	Polycarbonate		•	
HB7C1T	10,250	146	72	•	Polycarbonate			•
HB3C4R	9,000	124	72			Acrylic	•	
Variable Dimming High Bays								
HBGCMZ	17,500	172	101	•	Tempered Glass		•	
HBGC4Z	14,500	161	90		Tempered Glass		•	
HB1C4Y	11,500	146	79		Acrylic		•	
HB6C4Y	11,500	146	78		Acrylic			•
HB5C4Y	10,750	146	74			Acrylic	•	
HB7C4Y	10,500	146	72	•	Polycarbonate			•
HB2C4Y	10,250	146	70	•	Polycarbonate		•	
HB2C4X	10,000	137	73	•	Polycarbonate		•	
HB3C4W	9,000	124	72			Acrylic	•	
HB4C4W	8,500	124	69	•		Polycarbonate	•	
STEP Dimming / Occupancy Sensor High Bay								
HBGCQQ	17,500	172	101	•	Tempered Glass		•	
HBGC1Q	14,500	161	90	•	Tempered Glass		•	
HB1C4H	11,500	146	79		Acrylic		•	
Variable Dimming / Occupancy Sensor High Bay								
HB2C1H	10,250	146	70	•	Polycarbonate		•	

Notes for all versions:

¹ Part numbers listed in the above table are cool white. For neutral white version replace the 4th character with N Ex: HB1C4N become HB1N4N.

² Initial fixture lumens based on temperatures up to 113°F (45°C).

³ Units meet IP-66 when installed using conduit or an IP66 approved cable gland at the 3/4 NPT. Dialight offers IP-66 approved cable glands as part of accessories HBXW2 and HBXCG.


Notes for standard versions only:

⁴ Part numbers listed in the table above are 100-277V AC. For 347-480V AC version replace the 5th character with a 5. EX: HB1C4N (100-277VAC) becomes HB1C5N (347-480V AC). For 17,500lm, 347-480V AC versions replace 5th character becomes a T. EX: HBGCMF (100-277V AC) becomes HBGC1P (347-480V AC).

⁵ Part numbers listed in the tables above come with a flat lens. For models with polycarbonate flat lens they can be ordered with a polycarbonate dome lens; replace 3rd character with a L Ex: HB2C4M becomes HBLC4M.

DuroSite® Series LED High Bay Fixture

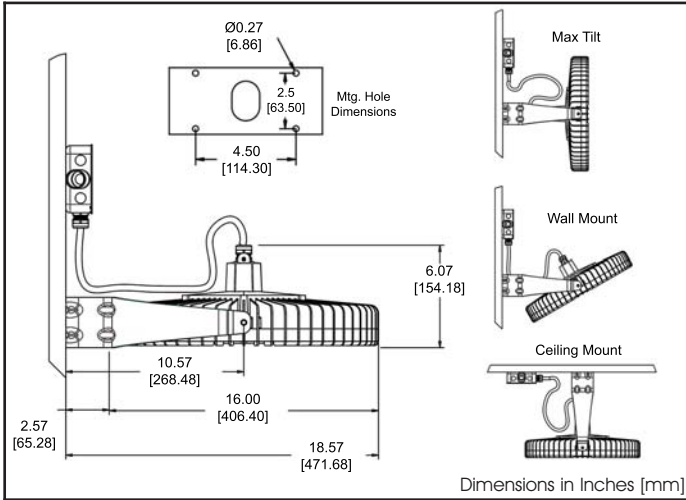
Options and Accessories

	Part Number	Description	Kit Includes
	No Part Number	Pendant Mount (Conduit supplied by installer)	Conduit supplied by installer
	HBXW2	Swivel Bracket and Cable Gland	Swivel Bracket Bracket to fixture hardware Cable Gland (1/2") Reducer (3/4" to 1/2")
	HBXW3	Swivel Bracket	Swivel Bracket Bracket to Fixture Hardware
	HBXCU	Ceiling Mount	Swivel Hanger Cover 3" Conduit Nipple
	HBXCG	Cable Gland	Cable Gland (1/2") Reducer (3/4" to 1/2")
	HBXL	Loop	Hanger Loop (GE LOOPM353)
	HBXH	Hook	Hanger Hook (GE HOOKM353)
	HBXT2	Junction Box with Transformer 347-480VAC to 240VAC	NEMA Box with Integrated Transformer
	HBXLENGC	Tempered Glass	Lens, replacement clips, screws, gasket
	HBXLENAC	Acrylic Lens, Clear	Lens, replacement screws, gasket
	HBXLENAD	Acrylic Lens, Diffused	
	HBXLENPC	Polycarbonate Lens, Clear	Lens, replacement screws, gasket
	HBXLENDP	Polycarbonate Lens, Diffused	
	LBXLENP	Dome Lens (Use only on Polycarbonate lens models)	Lens, replacement screws, gasket
	HBXREF22	22" Acrylic Reflector (Must be ordered with High Bay, not a retrofit option)	Reflector, brackets, screws
	HBXDC	Dust Cover	Dust cover, clamp, spacer

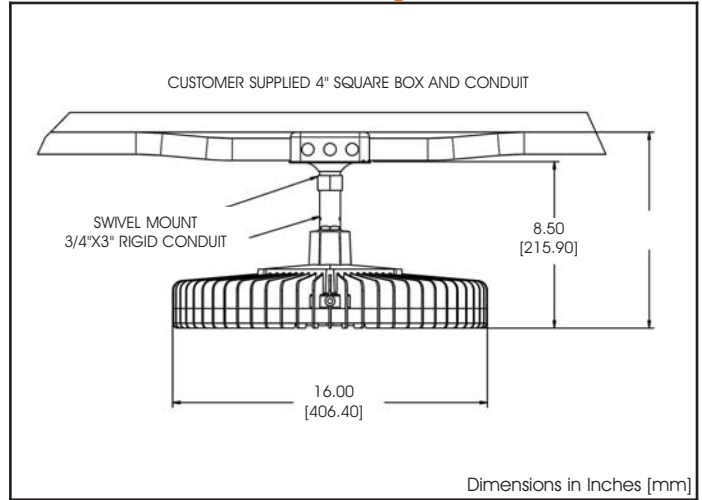
DuroSite® Series LED High Bay Fixture

Options and Accessories

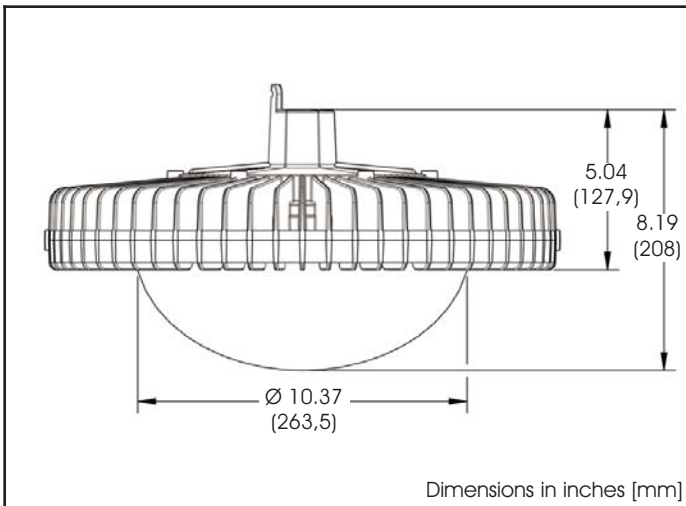
HBXW2 - Swivel Bracket and Cable Gland



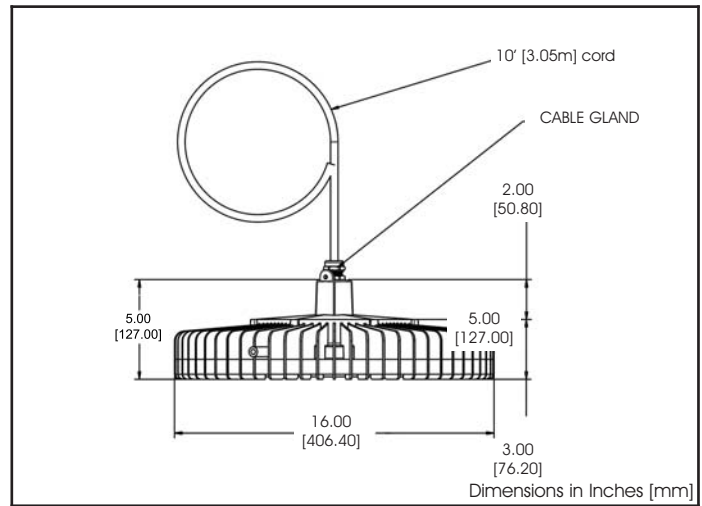
HBXCU - Ceiling Mount



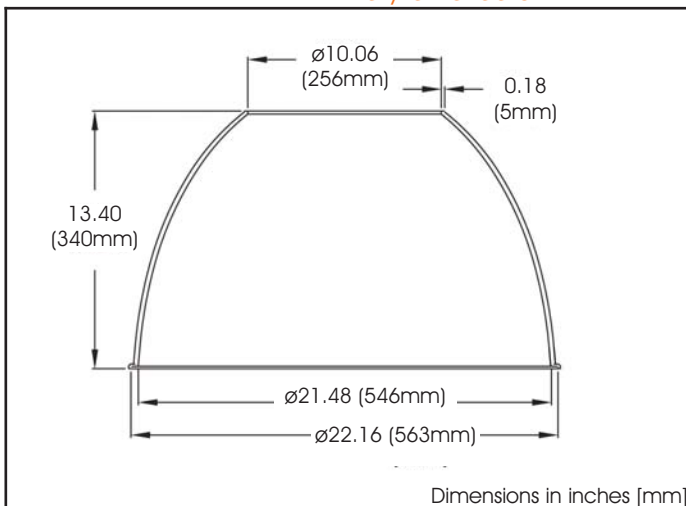
LBXLENP - Dome Lens



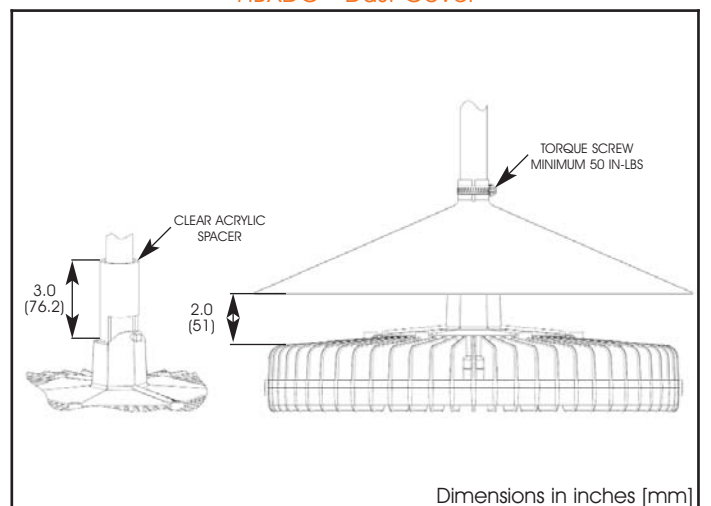
HBXCG - Cable Gland



HBXREF22 - 22" Acrylic Reflector



HBXDC - Dust Cover



Dialight reserves the right to make changes at any time in order to supply the best product possible. The most current version of this document will always be available at: www.dialight.com/Assets/Brochures_And_Catalogs/Illumination/MDEXHBX001.pdf
 Warranty Statement: EXCEPT FOR THE WARRANTY EXPRESSLY PROVIDED FOR [HEREIN/ABOVE/BELOW], DIALIGHT DISCLAIMS ANY AND ALL OTHER WARRANTIES, EXPRESS OR IMPLIED, INCLUDING, WITHOUT LIMITATION, ANY WARRANTIES OF MERCHANTABILITY, FITNESS FOR A PARTICULAR PURPOSE, TITLE, AND NONINFRINGEMENT.

DuroSite® Series LED High Bay

for Indoor and Outdoor Industrial Applications

